

Pressurized Submersible Aerators

SCLK



Power KW: 11 - 37

R.P.M.: 1450/130

Pressurized submersible aerators for
wastewater treatment in municipal,
industrial and agricultural treatment plants.

WWW.BEDU.NL

WWW.BEDU.BE

WWW.BEDU.EU

*Dynamiek in
vloeistoftechniek*

DESCRIPTION

The submersible SCLK aerator is a new aeration system for the wastewater treatment plants working through a submersible gearmotor. The possibility to use a double-speed motor enables the machine to work as a mixer too, thus maintaining a correct water moving without air feeding, which is very useful during some purification stages.

OPERATION

The aerator consists of an impeller directly connected to the gearmotor shaft, and a diffuser equipped with supports, radial channels and intake duct for the connection of the proper intake pipe or hose. The pressurized fine-bubbled air is radially distributed and diffused in a water flow, thanks to the low rotation speed of the impeller.

APPLICATION

The SCLK aerators are especially well-suited for deep basins and high oxygen transfer demands, in the following processes: oxidation, sludge stabilization, flotation, ozonation. The ease of installation afforded by these aerators means that tanks do not have to be emptied. The yield rates achieved and the low energy consumption are constant over time and are not influenced by cloggings.

INSTALLATION

The SCLK aerators are positioned on the bottom of the basin and stand firm due to their own weight. The air suction pipe or hose is connected above the water level either to the basin edges or to a gangway. The blower, or compressor, is installed under a soundproof hood or in a room of the plant premises. It is advisable to use one blower per aerator, or eventually for several aerators, with a derivation tube for each machine. The SCLK can be lifted out of the tank, after disconnection of the suction pipe, by means of a mobile crane.

PERFORMANCE

In the classical aeration systems, the air reduction means a less efficient mixing. On the contrary, the SCLK represents a unique characteristic of its kind: with a double-polarity motor, it may supply a perfect mixing even without air. The SCLK aeration system guarantees low energy consumption with optimal loads. The system maintains the correct oxygen level and a suitable energy consumption by balancing the air flow and the impeller rotation speed, even on any individual aerator in the basin by using frequency inverters.

ACCESSORIES

All aerators are supplied with the following accessories:

- 10 meters of electrical wire;
- humidity probe into the oil chamber;
- thermal protections.

For a correct installation, the following accessories are also available:

- stainless steel intake pipe AISI 304, or hose;
- rope fixing hook for the intake pipe;
- stainless steel rope AISI 304;
- detection relay for humidity probe into oil chamber;
- external motor protection relay.

GALLERY



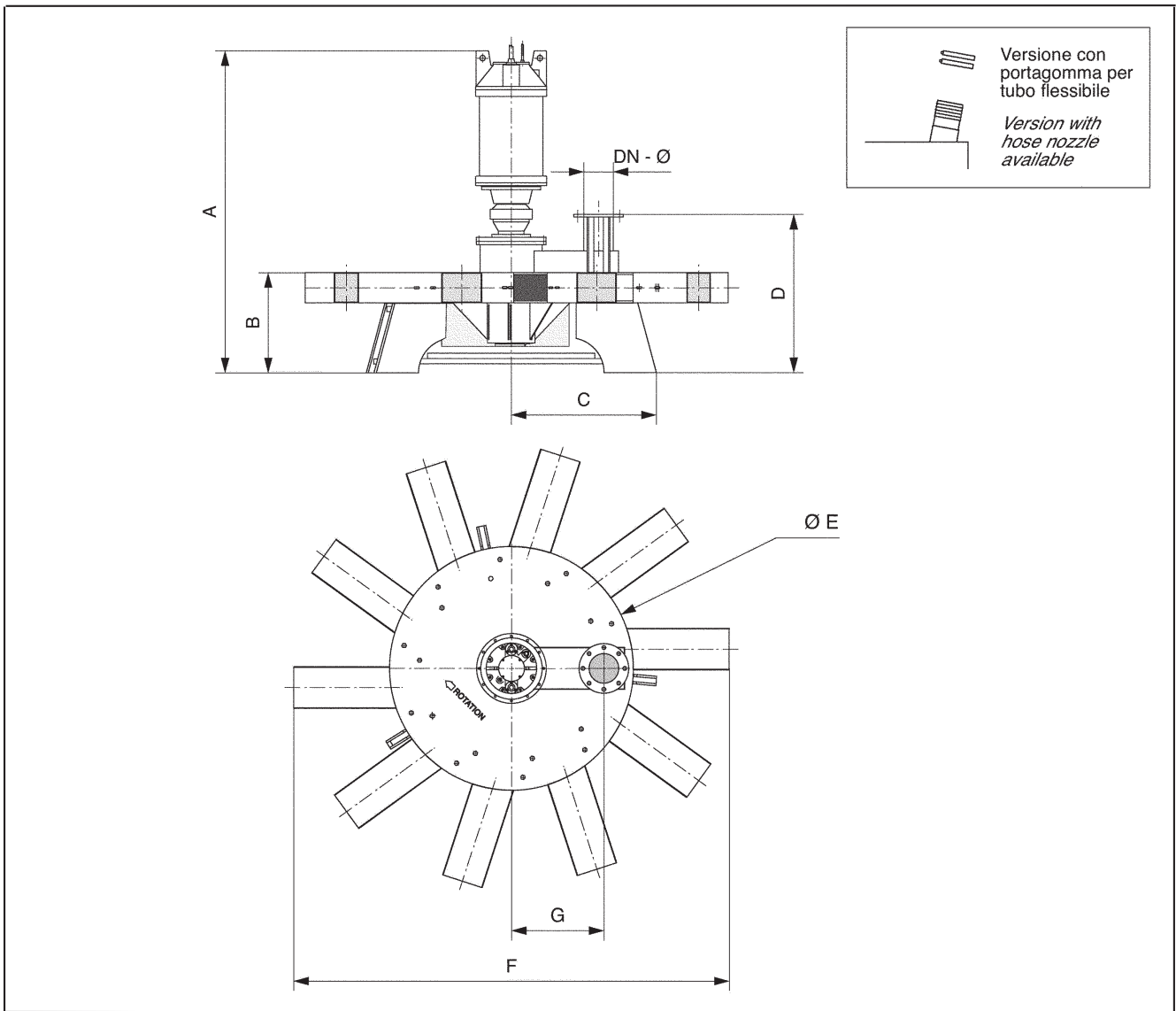
Installation of a submersible aerator type SCLK.



Installation of a submersible aerator type SCLK.



Immersion stages of a submersible aerator type SCLK.



TECHNICAL CHARACTERISTICS

Type	Power kW	R.p.m. (***)	Air Flow Min. Nm ³ /h	Air Flow Max. Nm ³ /h	Water level Max	(*) Weight Kg	Dimensions (mm) (**)							
							A	B	C	D	E	F	G	DN/Ø
SC 100 LK	11	1450/130	300	1200	10	770	1850	575	830	910	1400	-	530	150 - 168,3
SC 100 LK	15	1450/130	300	1200	10	810	1850	575	830	910	1400	-	530	150 - 168,3
SC 180 LK	18	1450/130	600	2200	12	940	1850	575	830	910	1400	2500	500	150 - 168,3
SC 180 LK	22	1450/130	600	2200	12	970	1850	575	830	910	1400	2500	500	150 - 168,3
SC 300 LK	30	1450/130	800	2800	12	1020	1850	575	830	910	1400	2500	500	150 - 168,3
SC 300 LK	37	1450/130	800	2800	15	1180	1850	575	830	910	1400	2500	500	150 - 168,3

(*) Excluded eventual ballast - The reported weight can change in case of double-polarity motors - Weights may change for applications in some countries.

(**) The reported dimensions can change in case of double-polarity motors. (***) The output speed may change.



Immersion stages of a submersible aerator type SCLK.



Submersible aerator type SCLK working inside an oxidation tank.



Submersible aerator type SCLK working inside an oxidation tank.

DYNAMIEK IN VLOEISTOFTECHNIEK

- Deskundig advies
- Een klantgerichte organisatie welke zich aanpast aan de eisen en wensen van uw organisatie
- Innovatieve en maatwerk oplossingen
- Breed assortiment vloeistofpompen van gerenommeerde merken
- Meer dan 5.000 pompen en 20.000 onderdelen op voorraad
- Een snelle en passende oplossing voor al uw vraagstukken
- Wij zien het belang in van uw processen en de continuïteit van uw bedrijfsvoering
- Snelle reactie- en levertijden
- Een eigen Technische Dienst met uitgebreide testfaciliteiten, werkend vanuit onze eigen werkplaats of bij u op locatie
- Reparatie, onderhoud en revisie van alle soorten en merken vloeistofpompen
- Storingsdienst 24 uur per dag, 7 dagen in de week

BEDU POMPEN B.V.

Poort van Midden Gelderland Rood 10
6666 LT HETEREN
Nederland
Telefoon +31 (0)88 4802 900
Fax +31 (0)88 4802 901
E-mail info@bedu.nl
Internet www.bedu.nl

BEDU BELGIUM B.V.B.A.

Heuvelstraat 52
B-1981 HOFSTADE
België
Telefoon +32 (0)15 33 16 77
Fax +32 (0)15 33 16 73
E-mail info@bedu.be
Internet www.bedu.be

*Wij staan klaar
om u deskundig
advies te geven*



WWW.BEDU.NL

WWW.BEDU.BE

WWW.BEDU.EU