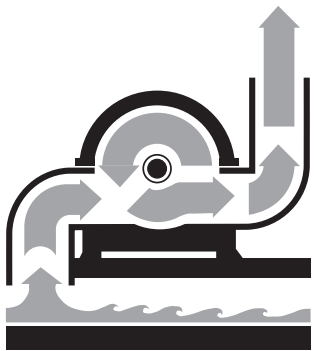


SPARE PARTS LIST

SELF PRIMING DIAPHRAGM PUMP



2"

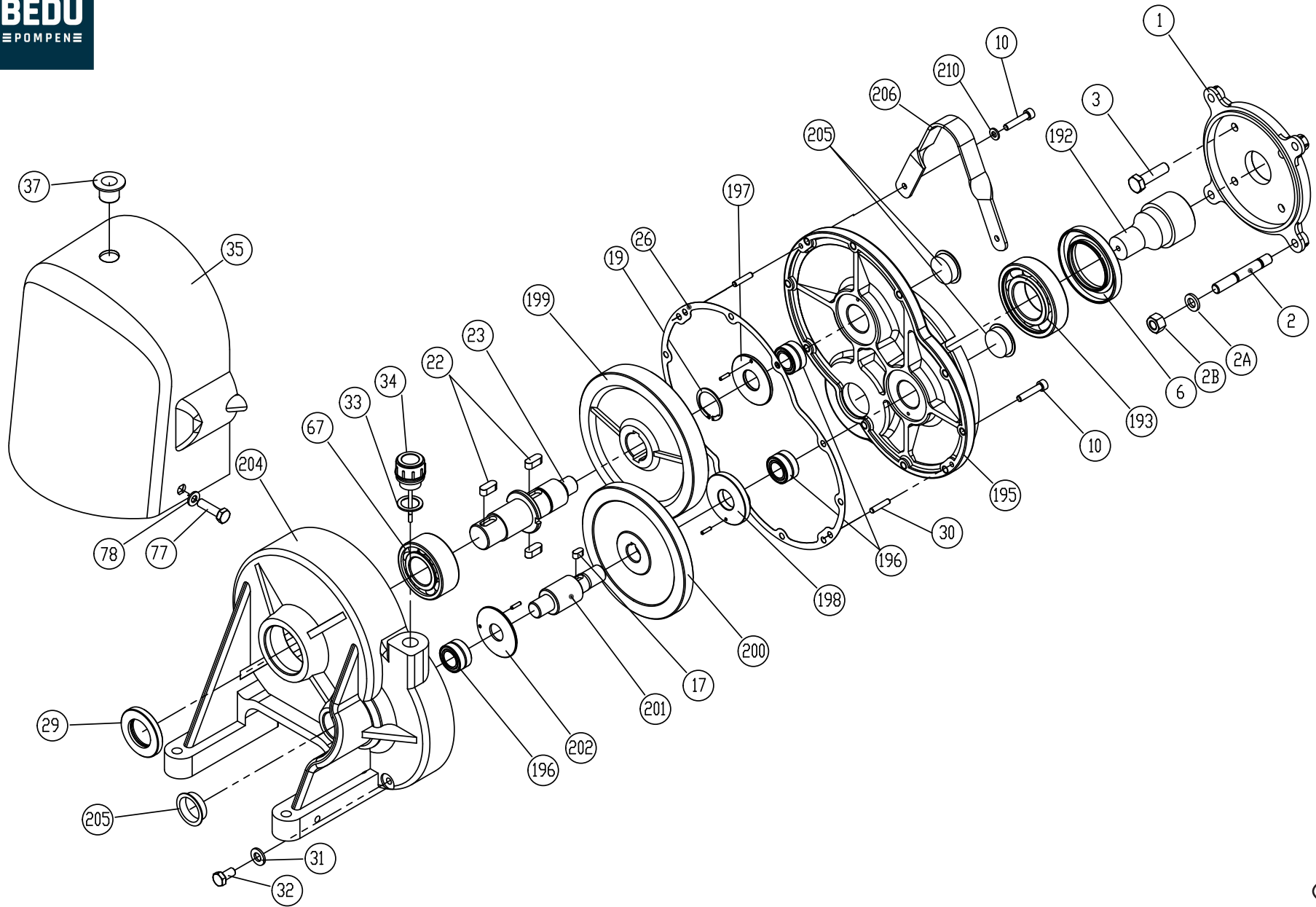


FIG 1

NR	ITEM	DESCRIPTION
1	001 L1002	Adapter coupling engine for Robin Ex13-Honda GX120QX- (adapter Sae 609A shaft diam mm 19,05)
2	002L0321	Stud fastening pump to flange

2A	550M90501	Washer
2B	551M90511	Nut
3	003L0321	Capscrew fastening engine to flange
6	006L5061	Oil seal ring
10	010L02102	Capscrew fastening cover to casing
17	017L08171	Key shaft 1°
19	019L04191	Seeger ring shaft 2°
22	022L08222	Key shaft 2°
23	023L412	Shaft 2°
26	026L70N	Gasket gear box
29	029L50292	Seal ring shaft 2° casing side
30	030L06301	Dowel pin gear box
31	031L05311	Washer for oil drain plug
32	032L01032	Oil drain plug
34	034L55	Oil field plug with dipstick (fig.33 included)
35	035L71354	Plastic protection for connecting rod for building version
37	037L70376	Plug for plastic protection
67	067L90676	Bearing shaft 2°
77	077L01779	Screw fastening protection
78	209L520917	Washer for bolt
192	192L4011	Helical pinion for electric motor ratio 1:43 (shaft diam 24 mm)
192	192L4012	Helical pinion for electric motor ratio 1:38 (shaft diam 24 mm)
192	192L4013	Helical pinion for electric motor ratio 1:30 (shaft diam 24 mm)
192	192L4014	Helical pinion for gasoline or diesel engine ratio 1:43 (only for shaft diam 19,05 mm.)
192	192L4020	Helical pinion for electric motor NEMA C ratio 1:38 (shaft diam 22,2 mm)
193	193L9019311	Bearing for helical pinion
195	195L100	Helical Cover geax box Aluminium
196	196L9019612	Needle bushing
197	197L7091	Washer shaft 2° cover side
198	198L7011	Washer shaft 1° cover side
199	199L4113	Helical driven shaft 2°
200	200L4014	Helical driven shaft 1° R R. 1:43
200	200L4015	Helical driven shaft 1° R R. 1:38
200	200L4016	Helical driven shaft 1° R R. 1:30
201	201L415	Shaft 1°
202	202L7012	Washer shaft 1° casing side
204	204L100	Helical Carter gear box Aluminium
205	205L7020512	Plug shaft 1° casing side
206	206L3020626	Lifting hook
210	210L520917	Washer for bolt
207	207L115N	Aluminium gear box helicals teeth assy ratio 1/43 (without pinion)
208	208L116N	Aluminium gear box helicals teeth assy ratio 1/38 (without pinion)
208	208L117N	Aluminium gear box helicals teeth assy ratio 1/30 (without pinion)

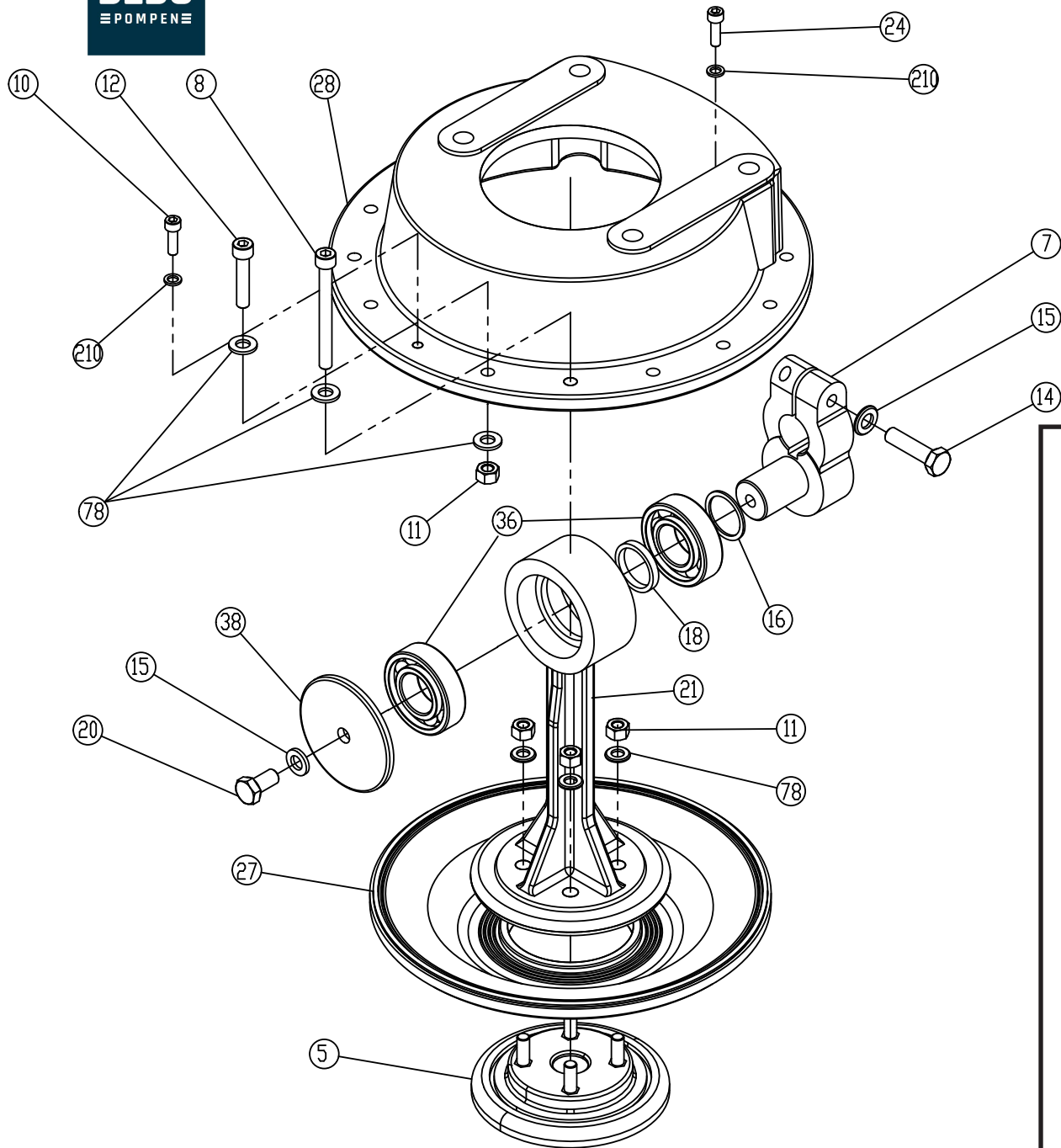


FIG 2

NR	ITEM	DESCRIPTION
5	770P057A	Lower plate with studs
7	043L321	Crank
8	770P008	Screw
10	010L02102	Screw
11	551M90511	Nut
12	770P012	Screw
14	048L01484	Bolt clamping connecting rod
15	041L05414	Washer
16	315L54	Spacer
18	316L54	Spacer
20	042L01423	Bolt clamping crank
21	770P053A	Self lubricated Aluminium connecting rod
24	770P024	Screw
27	770P056S	Tpv diaphragm
28	770P059A	Aluminium mounting case
36	045L54	Bearing for connecting rod self lubricated version
38	047L54	Cover for connecting rod self lubricated version
78	209L520917	Washer
210	210L520917	Washer

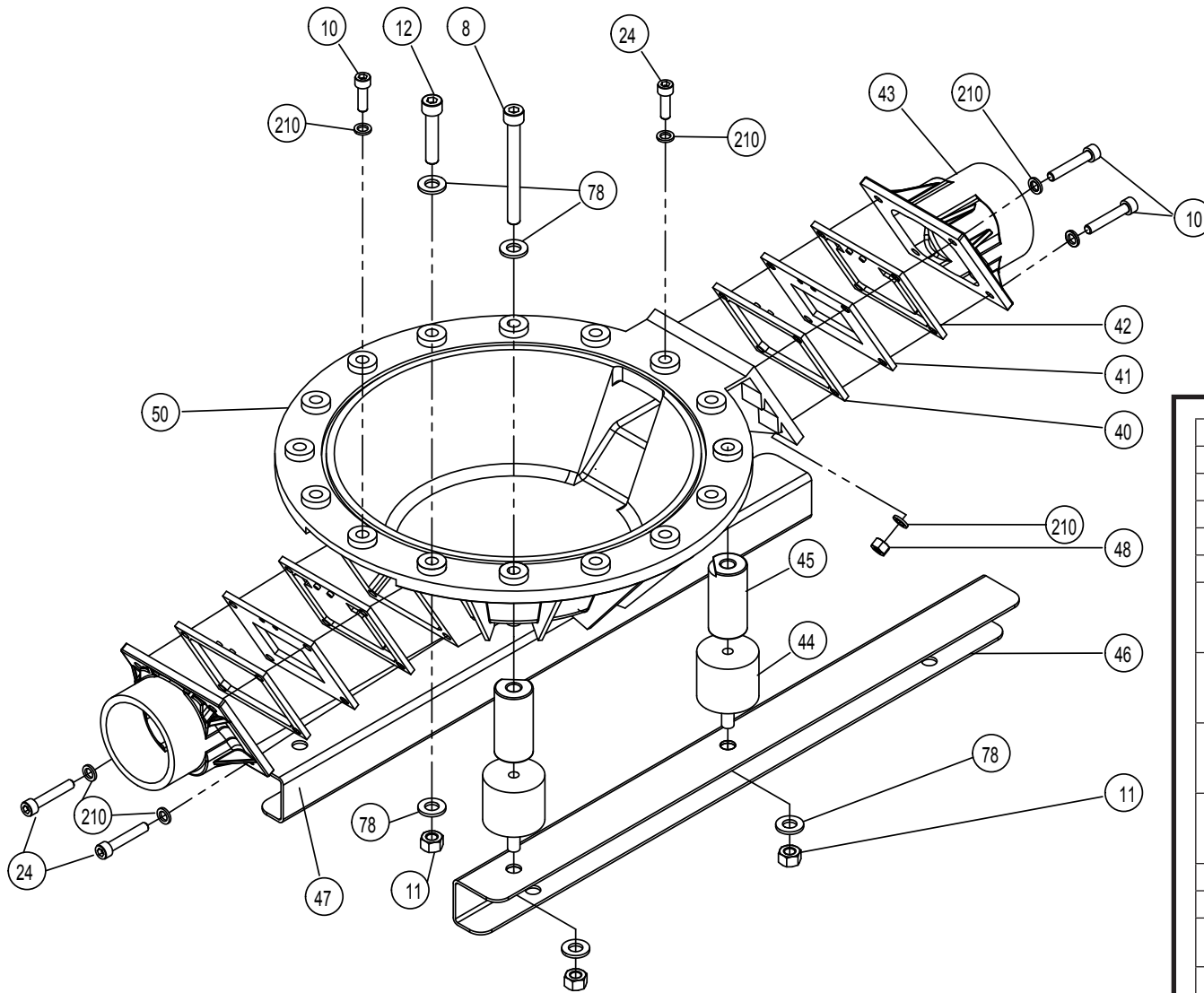


FIG 3

NR	ITEM	DESCRIPTION
8	770P008	Bolt
10	010L02102	Bolt
11	551M90511	Nut
12	770P012	Bolt
24	770P024	Bolt
40	770P063A	Neoprene suction/delivery gasket
41	770P064A	Polypropylene valve seat
42	770P065N	Neoprene suction/delivery valve
43	770P060B	Suction/delivery port threaded 2" BSP
44	770P612P	Shockabsorber
45	770P089A	Foot
46	770P088S	Left U foot AISI 304
47	770P088D	Right U foot AISI 304
48	770P048	Nut
50	770P068P	Polypropylene pump casing
78	209L520917	Washer
210	210L520917	Washer

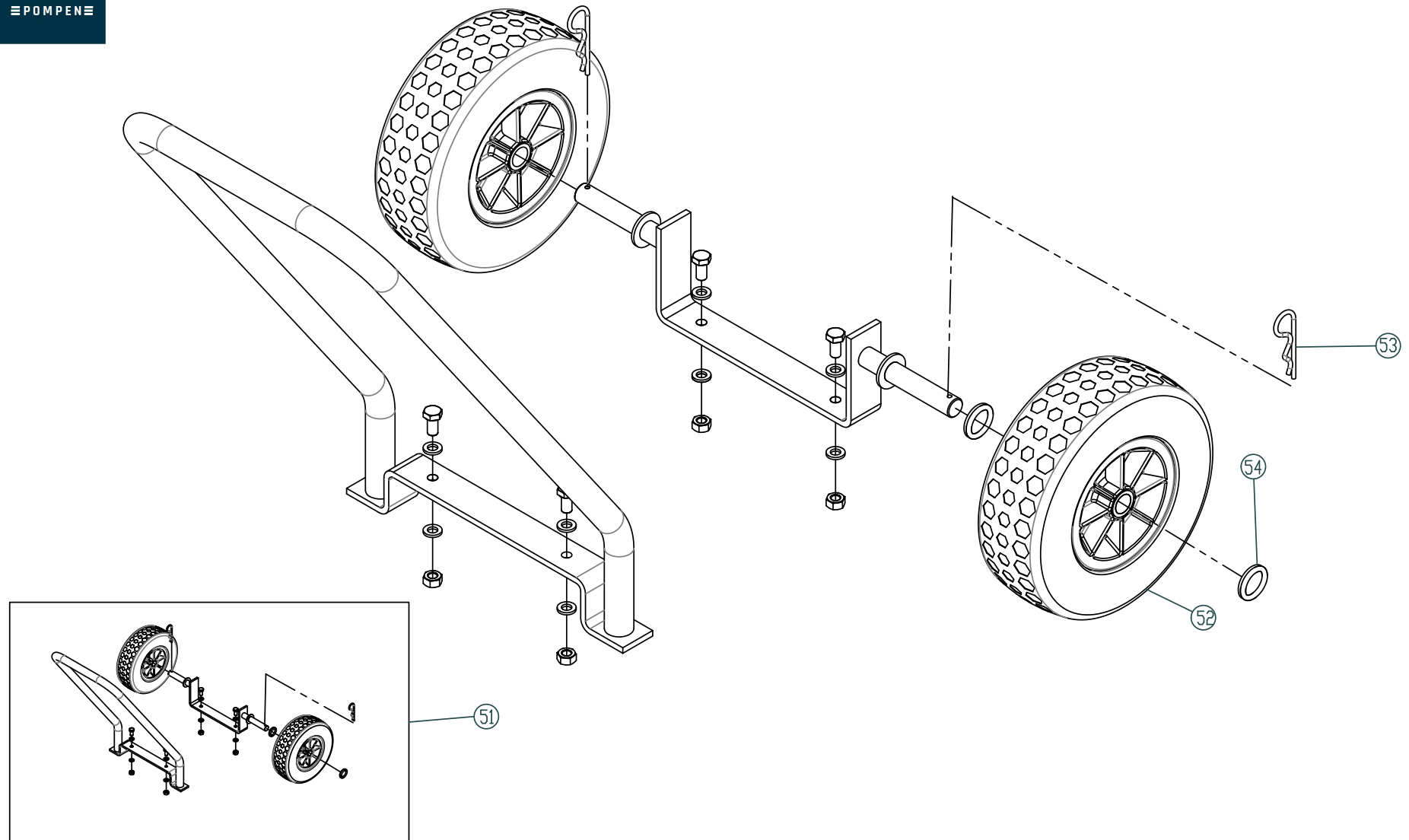
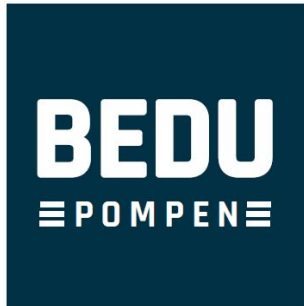


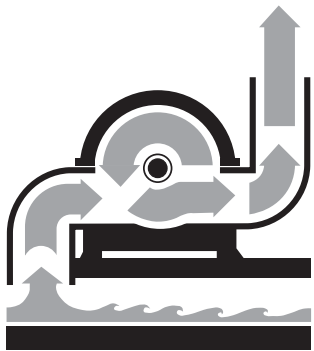
FIG 4

FIG.	ITEM	DESCRIPTION
51	140L3020	Trailer assy for petrol engine or electric motor
52	160L271605	Pneumatic wheels for trailer
53	158L61585	Pin
54	159L3015917	Washer

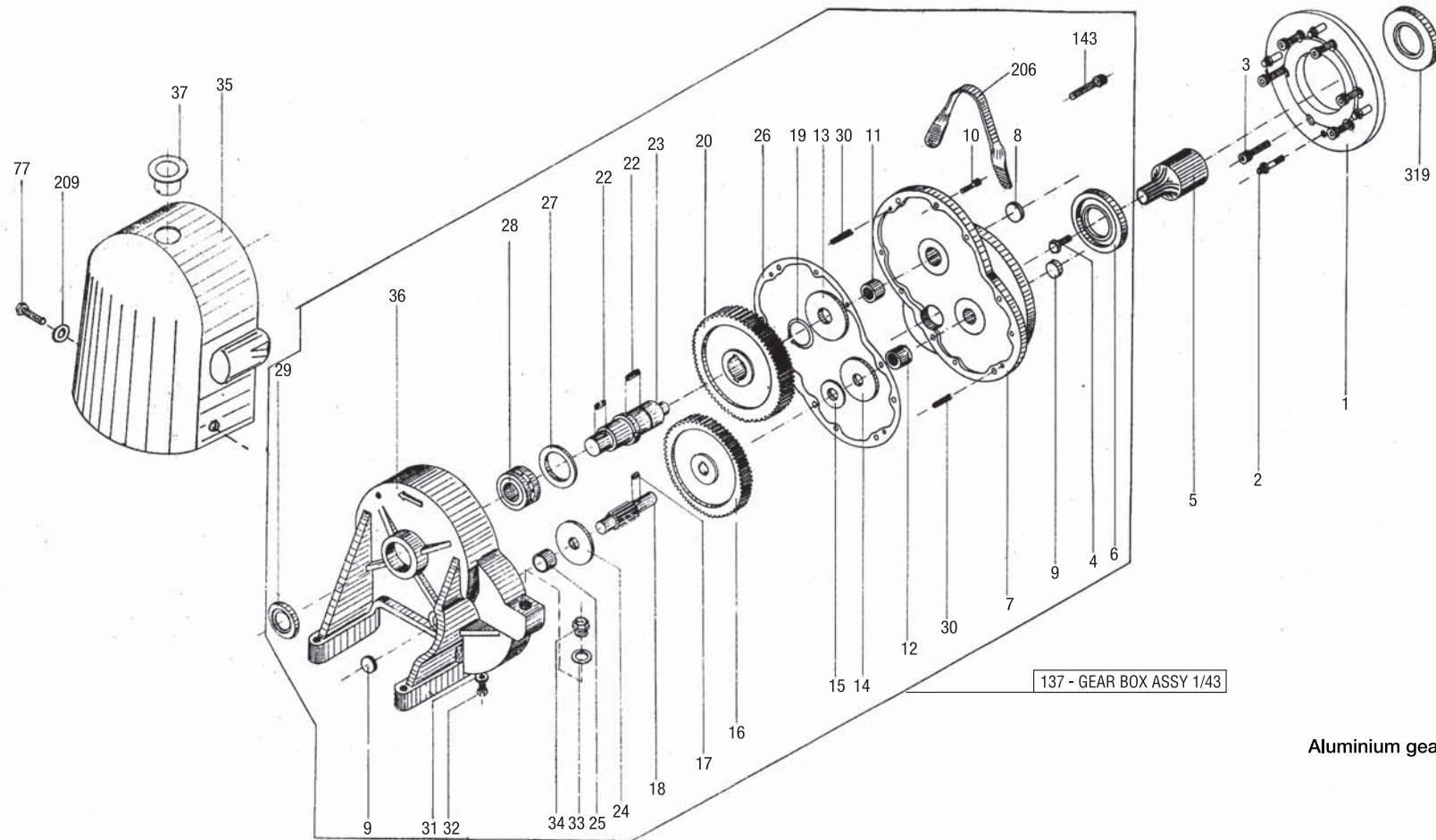


SPARE PARTS LIST

SELF PRIMING DIAPHRAGM PUMP



SuperMicrolib 2''

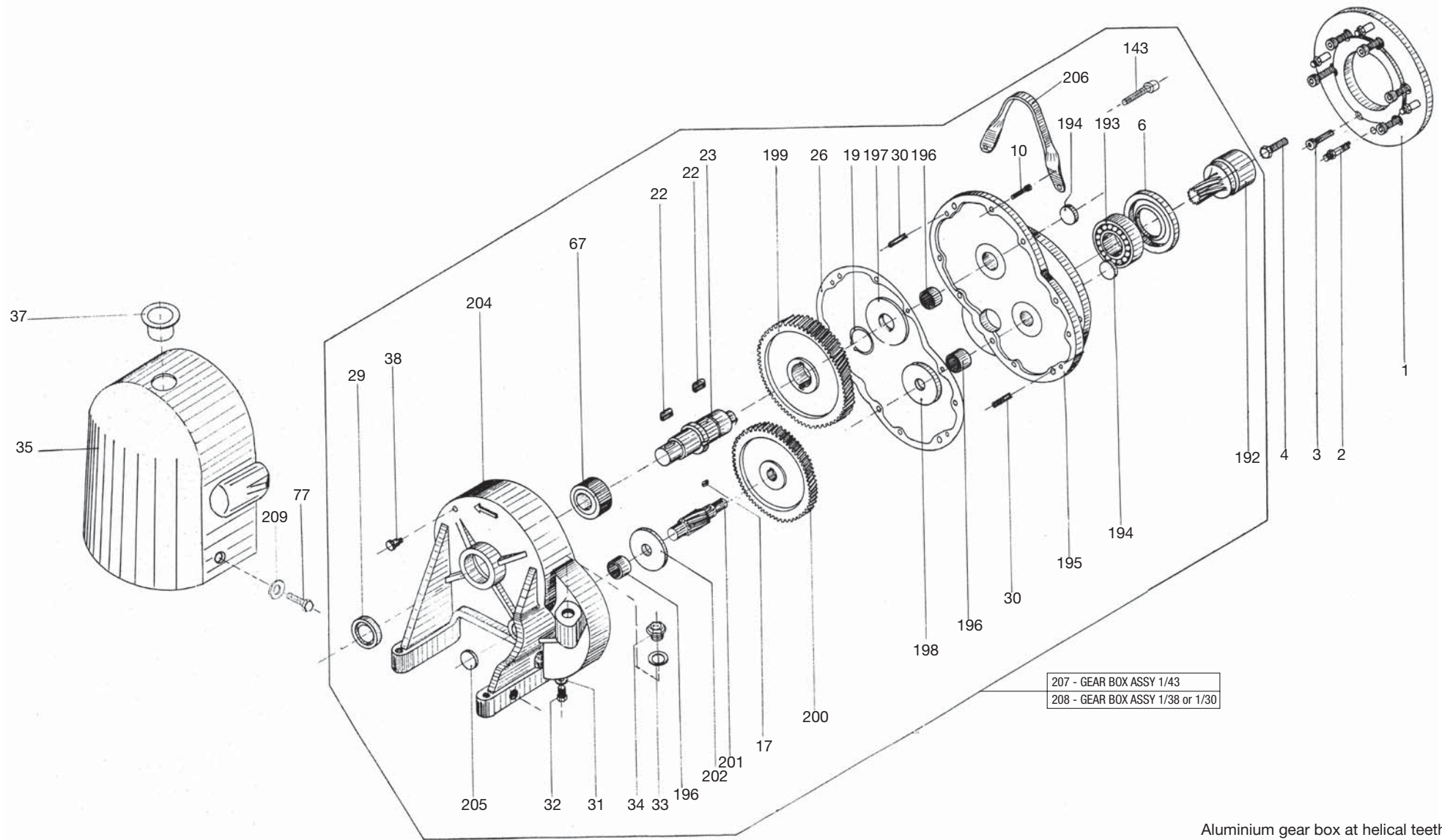


Aluminium gear box at straight teeth

FIG 1

FIG	ITEM	DESCRIPTION
001	001L1002	Adapter coupling engines B&S Plus 3,5hp - Robin EX13/EX17 - Honda GX120/ GX160 QX - Kohler CS6T (shaft diam mm 19,05)
002	002L0321	Stud fastening pump to flange
003	003L0321	Capscrew fastening engine to flange
004	004L0142	Bolt fastening pinion to engine (to specify)
005	005L4001/19	Pinion for electric motor at straight teeth RR 1:43 (shaft diam 19,00 mm)
005	005L4005	Pinion for petrol engines Robin Ex13/Ex17 - Honda Gx120/Gx160 QX - Kohler CS6T (shaft diam 19,05 mm)

FIG	ITEM	DESCRIPTION
006	006L5061	Oil seal ring
007	007L14	Cover gear box DIE CASTED ALUMINIUM
008	008L701	Plug for cover shaft 2°
009	009L702	Plug for cover and casing shaft 1°
010	010L02102	Capscrew t.i. fastening cover to casing
011	011L90111	Needle bushing shaft 2° cover side
012	012L90122	Needle bushing shaft 1° cover side
013	013L703N	Washer shaft 2° cover side
014	014L704N	Washer shaft 1° cover side
015	015L30151	Shim for shaft 1° cover side
016	016L403	Driven gear shaft 1° for straight teeth gear box R.R. 1:43
017	017L08171	Key shaft 1°
018	018L411	Shaft 1°
019	019L04191	Seeger ring shaft 2°
020	020L415	Driven gear shaft 2°
022	022L08222	Key shaft 2°
023	023L412	Shaft 2°
024	024L704N	Washer shaft 1° casing side
025	025L90253	Needle bushing shaft 1° casing side see 012L90122
026	026L70N	Gasket gear box
027	027L801N	Washer shaft 2° casing side
028	028L90284	Needle bushing shaft 2° casing side
029	029L50292	Seal ring shaft 2° casing side
030	030L06301	Dowel pin gear box
031	031L05311	Washer for oil drain plug
032	032L01032	Oil drain plug
033	033L05332	Washer for oil field plug
034	034L55	Oil field plug
035	035L71353	Plastic protection for connecting rod for contractor version
036	036L14	Gear box case in DIE CASTED ALUMINIUM
037	037L70376	Plug for plastic protection
077	077L01779	Screw fastening protection
143	143L114316	Bolt fastening lifting hook
206	206L3020626	Lifting hook
209	209L520917	Washer for bolt
137	137L115N	Aluminium gear box straight teeth assy ratio 1/43



Aluminium gear box at helical teeth

FIG 2

FIG.	ITEM	DESCRIPTION
1	001 L1002	Adapter coupling engine for Briggs & Stratton PLUS 3,5 HP - Robin Ex13/ Ex17-Honda GX120/160 QX - Kohler CS6T (shaft diam mm 19,05)
2	002L0321	Stud fastening pump to flange
3	003L0321	Capscrew fastening engine to flange
4	004L0142	Bolt fastening pinion to engine (to specify)
6	006L5061	Oil seal ring
10	010L02102	Capscrew t.i. fastening cover to casing
17	017L08171	Key shaft 1°
19	019L04191	Seeger ring shaft 2°
22	022L08222	Key shaft 2°
23	023L412	Shaft 2°
26	026L70N	Gasket gear box
29	029L50292	Seal ring shaft 2° casing side
30	030L06301	Dowel pin gear box
31	031L05311	Washer for oil drain plug
32	032L01032	Oil drain plug
33	033L54	Washer for oil field plug
34	034L55	Oil field plug with dipstick
35	035L71353	Plastic protection for connecting rod for building version
37	037L70376	Plug for plastic protection
67	067L90676	Bearing shaft 2°
77	077L01779	Screw fastening protection
143	143L114316	Bolt fastening lifting hook
192	192L4011	Helical pinion for electric motor ratio 1:43 (shaft diam 24 mm)
192	192L4012	Helical pinion for electric motor ratio 1:38 (shaft diam 24 mm)
192	192L4013	Helical pinion for electric motor ratio 1:30 (shaft diam 24 mm)
192	192L4014	Helical pinion for gasoline or diesel engine ratio 1:43 (only for shaft diam 19,05 mm.)
192	192L4020	Helical pinion for electric motor NEMA C ratio 1:38 (shaft diam 22,2 mm)
193	193L9019311	Bearing for helical pinion
194	194L701948	Plug for cover see 205L7020512
195	195L100	Helical Cover gear box Aluminium
196	196L9019612	Needle bushing
197	197L709	Washer shaft 2° cover side
198	198L7010	Washer shaft 1° cover side
199	199L4013	Helical driven shaft 2°
200	200L4014	Helical driven shaft 1° R R. 1:43
200	200L4015	Helical driven shaft 1° R R. 1:38
200	200L4016	Helical driven shaft 1° R R. 1:30
201	201L415	Shaft 1°
202	202L7011	Washer shaft 1° casing side
204	204L100	Helical Carter gear box Aluminium
205	205L7020512	Plug shaft 1° casing side
206	206L3020626	Lifting hook
209	209L520917	Washer for bolt
207	207L115N	Aluminium gear box helicals teeth assy ratio 1/43 (without pinion)
208	208L116N	Aluminium gear box helicals teeth assy ratio 1/38 (without pinion)
208	208L117N	Aluminium gear box helicals teeth assy ratio 1/30 (without pinion)

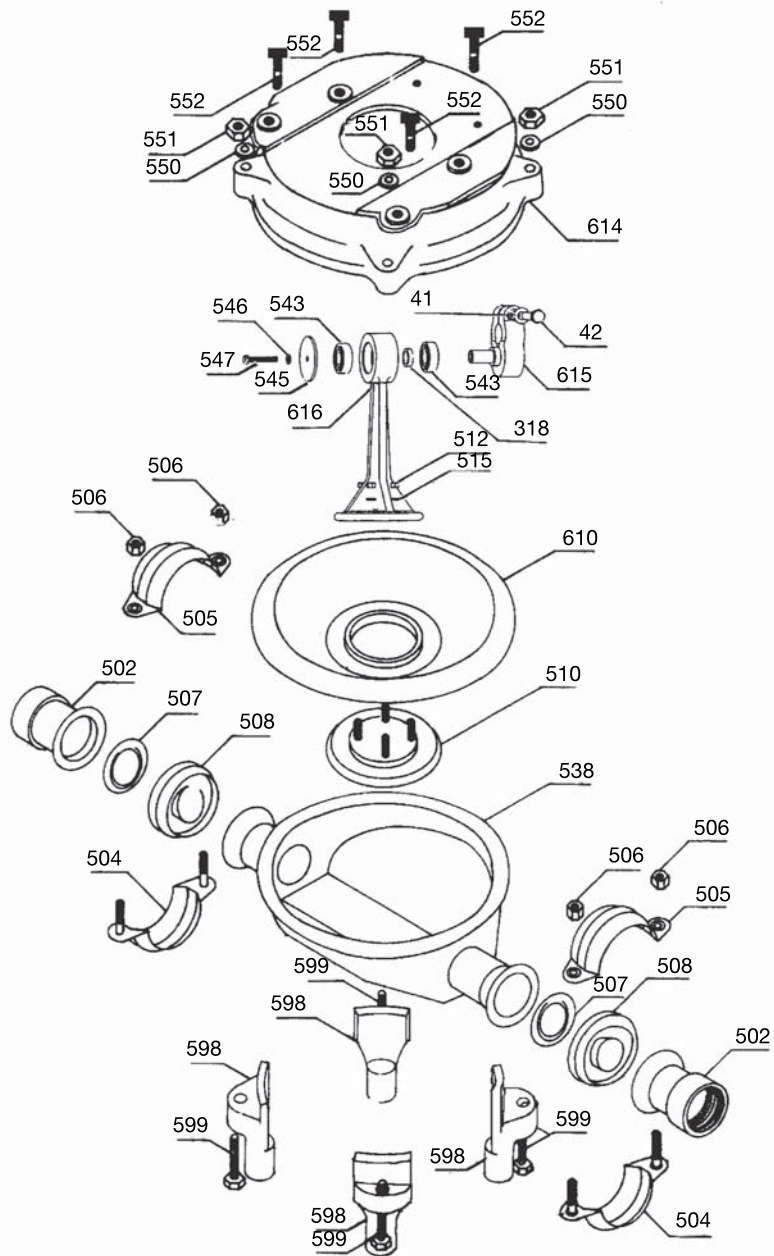
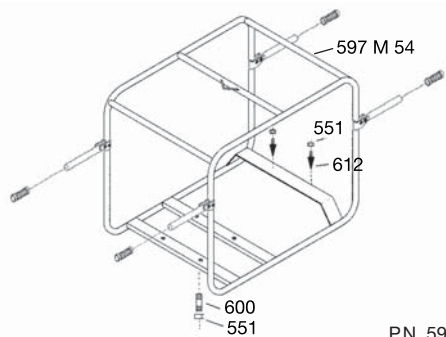
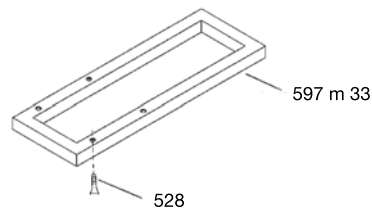


FIG 3

FIG	ITEM	DESCRIPTION
041	041L05414	Washer
042	042L01423	Bolt clamping crank
318	318L54	Spacer
502	502M9021	S.S. AISI 304 Suction/delivery port threaded 2" BSP
502	502M9022	S.S. AISI 304 Suction/delivery port threaded 2" NPT
502	502M9121	S.S. AISI 316 Suction/delivery port threaded 2" BSP
502	502M9122	S.S. AISI 316 Suction/delivery port threaded 2" NPT
504	504M9031	Lower clump with studs S.S. AISI 304
505	505M9041	Upper clump S.S. AISI 304
506	506M9051	Nut
507	507M9161N	Valve seat S.S. AISI 316
508	508M9171N	Neoprene suction/delivery valve
508	508M9172N	Dutral suction/delivery valve
508	508M9173N	Hypalon suction/delivery valve
508	508M9174N	Nbr suction/delivery valve
508	508M9175N	No toxic suction/delivery valve
508	508M9176N	Viton suction/delivery valve
508	508M9177N	Sylicon suction/delivery valve
510	510M9091	Lower plate with studs S.S. AISI 304
510	510M9191	Lower plate with studs S.S. AISI 316
512	512M90111	Nut
515	515M90141	Washer
538	538M9012	S.S. AISI 304 pump casing
538	538M9112	S.S. AISI 316 pump casing
543	543M54	Bearing for connecting rod self lubricated version
545	545M54	Cover for connecting rod self lubricated version
546	546M90461	Washer
547	547M90471	Bolt clamping connecting rod
550	550M90501	Washer
551	551M90511	Nut
552	552M54	Screw
598	598M9098	Aluminium pump mount
599	599M91991	Bolt
610	610M9181	Neoprene diaphragm
610	610M9182	Dutral diaphragm
610	610M9183	Hypalon diaphragm
610	610M9184	NBR diaphragm
610	610M9185	No toxic diaphragm
610	610M9186	Viton diaphragm
610	610M9187	Sylicon diaphragm
614	614M54	Aluminium mounting case
615	615M54	Crank
616	616M54	Self lubricated Aluminium connecting rod



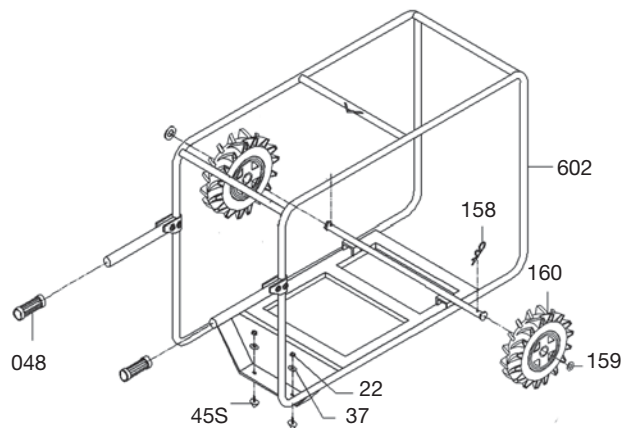
P.N. 597 M 54
Wraparound with 4 handles for electric motor or petrol engine



P.N. 597 M 33
Stationary frame for electric motor

FIG 4

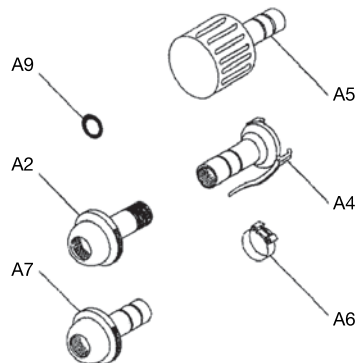
FIG	ITEM	DESCRIPTION
	597M33	Stationary frame assy for electric motor
	597M54	Wraparound with 4 handles for electric motor or petrol engine
048	TL048/S	Hand grip
528	528M90262	Screw
551	551M90511	Nut
600	600M90001	Stud
612	612M54	Shock absorber



(602M55)
Trailer wraparound for petrol engine or electric motor with pneumatic wheels

FIG 5

FIG.	ITEM	DESCRIPTION
	602M55	Trailer wraparound for electric motor or petrol engine with pneumatic wheels
22	TL022/0	Nut
37	TL037/0	Washer
45S	TL045/S	Shock Absorber
48	TL048/0	Hand grip
158	158L61585	Pin
159	159L3015917	Washer For Wheel
160	160L271604	Pneumatic Wheel
602	602M9055	Trailer wraparound subbase



Accessories

FIG 6

FIG	ITEM	DESCRIPTION
	LUIS050MT5	Suction or delivery reinforced pvc hose diam.50mm. lenght mt.5
A2	TL083/2	Threaded male 2" x50mm.
A4	TL082/2	Female with spigot diam. 50mm.
A5	TL067/2	Galvanized strainer diam.50mm.
A6	TL085/2	Clamp
A7	TL084/2	Male with spigot diam. 50mm.
A9	TL086/2	O ring gasket diam.50mm. Joint d.50mm.