

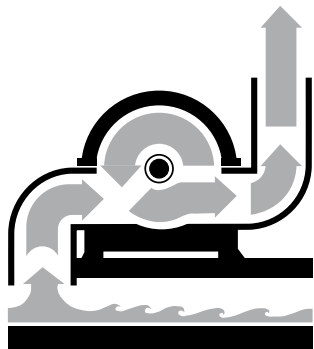


# SPARE PARTS LIST

## SELF PRIMING DIAPHRAGM PUMP

1-3''

**BUILDING VERSION**



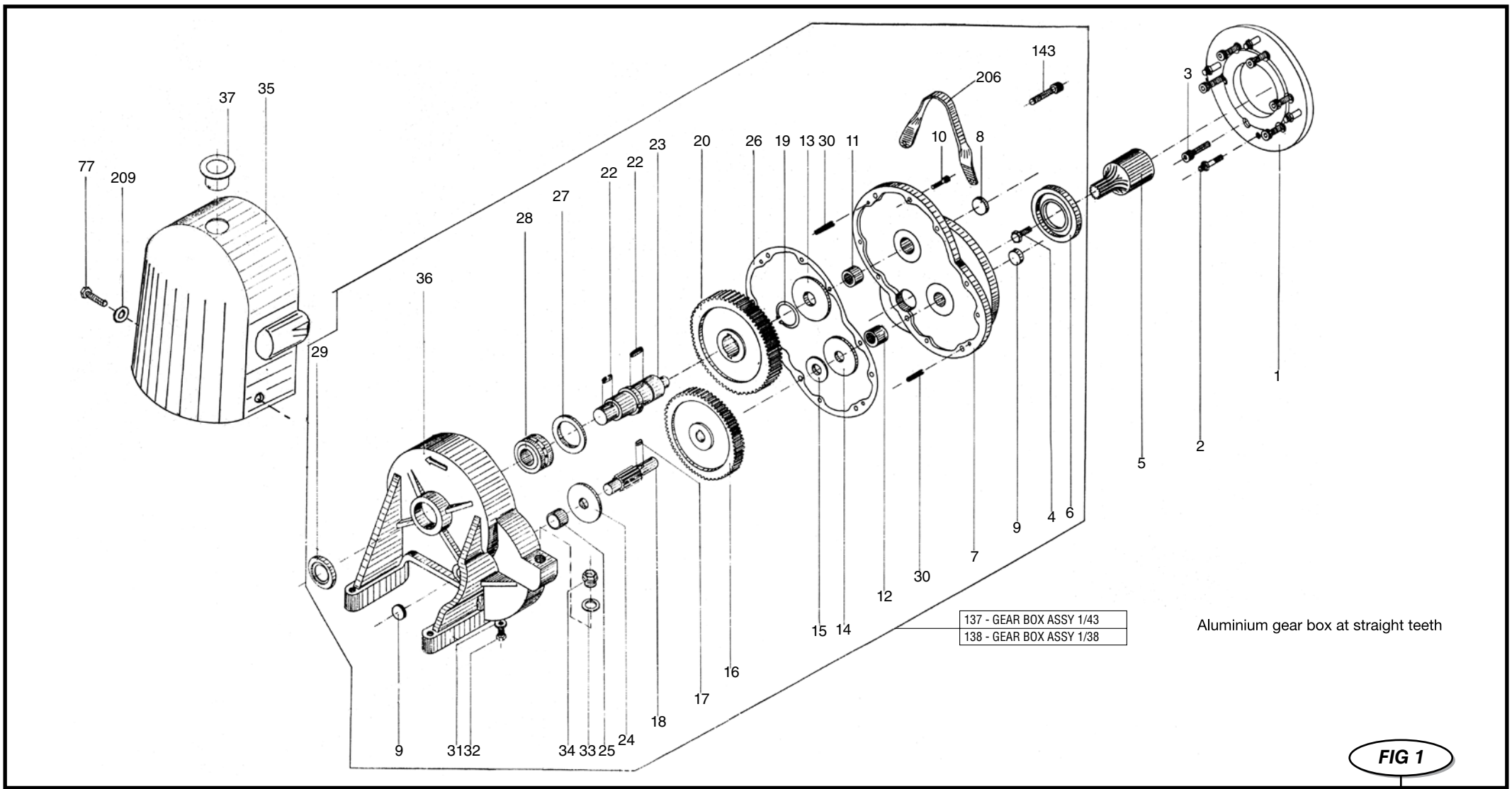
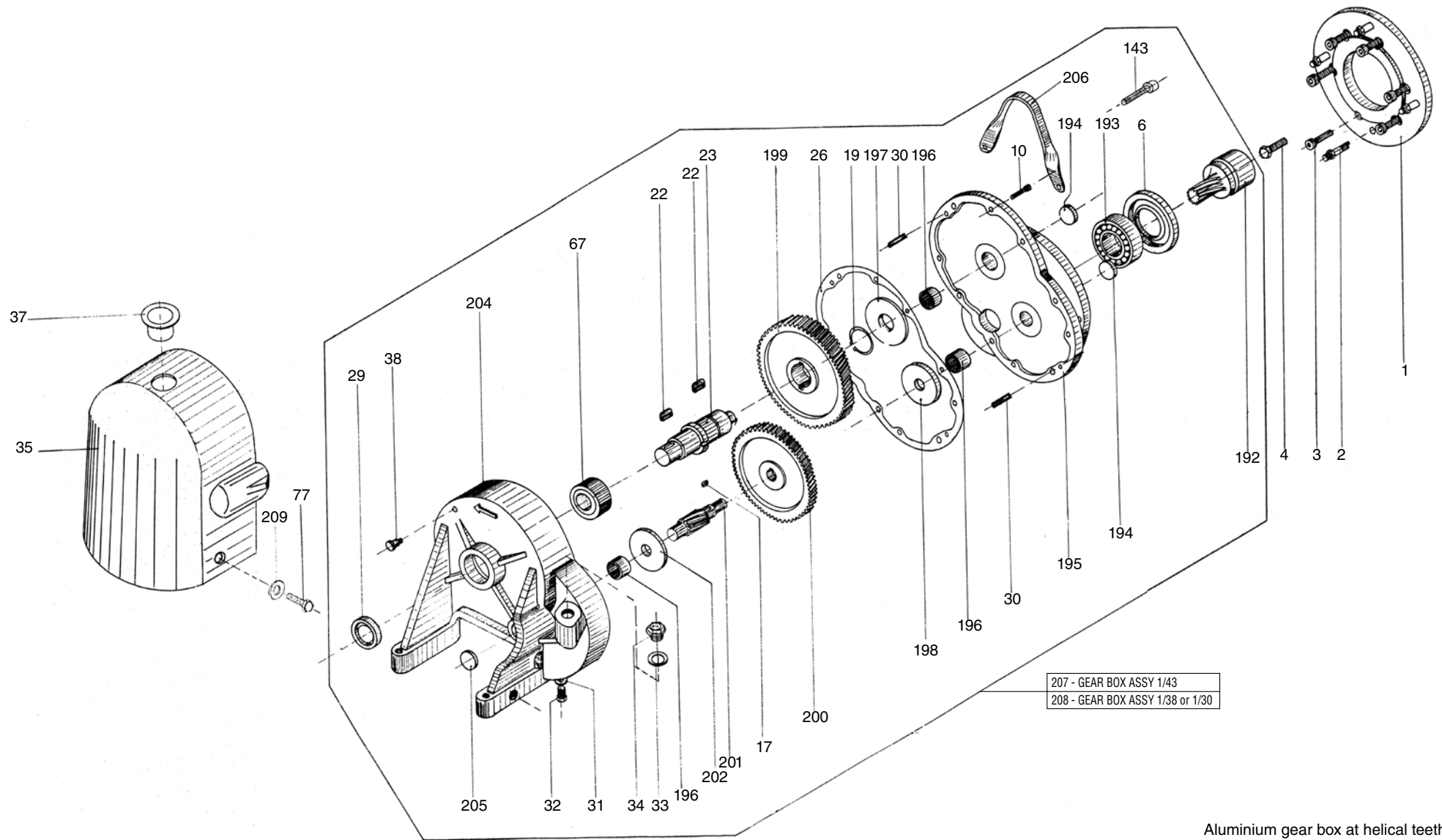


FIG	ITEM	DESCRIPTION
001		ADAPTER COUPLING ENGINE ASSY FOR:
001	001L1002	BRIGGS & STRATTON PLUS 3,5 HP - ROBIN EX13/EX17- HONDA GX120/160 QX
001	001L109	ELECTRIC MOTOR NEMA C145
001	001L120	HONDA GD 320 QX (SHAFT D.MM. 25,4 SAE609B)
001	001L201	LOMBARDINI 15LD225 -15LD315-LGA226 - HATZ 1B20/6 (CONICAL SHAFT)
001	001L207	PETTER MOD. AC1 DIESEL LIB/1-LIB/2
001	001L208	ELECTRIC MOTOR SIZE 100/112 KW. 3 LIB/2-LIB/1
002	002L0321	STUD FASTENING PUMP TO FLANGE
003	003L0321	CAPSCREW FASTENING ENGINE TO FLANGE

FIG	ITEM	DESCRIPTION
004	004L0142	BOLT FASTENING PINION TO ENGINE (TO SPECIFY)
005		PINIONS COUPLING ENGINE TO GEAR BOX
005	005L4001	STRAIGHT TEETH FOR ELECTRIC MOTOR RATIO 1:43 (SHAFT D.24 MM)
005	005L4002	STRAIGHT TEETH FOR ELECTRIC MOTOR RATIO 1:38 (SHAFT D.24 MM) ONLY FOR ENGINES AT 1400 RPM OR LESS
005	005L4003	LOMBARDINI 15LD225-15LD315-LGA226- HATZ 1B20/6 (CONICAL SHAFT)
005	005L4005	BRIGGS & STRATTON PLUS 3,5 HP - ROBIN EX13/EX17 - HONDA GX120/160 QX (SHAFT DIAM MM 19,05)
005	005L4010	PETTER MOD. AC1 DIESEL LIB/1
005	005L4011	ROBIN OR HONDA (SHAFT DIAM MM. 18)
005	005L4013	NEMA C 145
005	005L4016	HONDA GD 411/320 QX ( SHAFT DIAM MM. 25,4)
005	005L4019	ROBIN DY23D (SHAFT DIAM MM.20)
006	006L5061	OIL SEAL RING
007	007L14	COVER GEAR BOX DIE CASTED ALUMINIUM
008	008L701	PLUG FOR COVER SHAFT 2°
009	009L702	PLUG FOR COVER AND CASING SHAFT 1°
010	010L02102	CAPSCREW T.I. FASTENING COVER TO CASING
011	011L90111	NEEDLE BUSHING SHAFT 2° COVER SIDE
012	012L90122	NEEDLE BUSHING SHAFT 1° COVER SIDE
013	013L703N	NYLON WASHER SHAFT 2° COVER SIDE
014	014L704N	NYLON WASHER SHAFT 1° COVER SIDE
015	015L30151	SHIM FOR SHAFT 1° COVER SIDE
016	016L403	DRIVEN GEAR SHAFT 1° FOR STRAIGHT TEETH GEAR BOX R.R. 1:43
016	016L404	DRIVEN GEAR SHAFT 1° FOR STRAIGHT TEETH GEAR BOX R.R. 1:38
017	017L08171	KEY SHAFT 1°
018	018L411	SHAFT 1°
019	019L04191	SEEGER RING SHAFT 2°
020	020L415	DRIVEN GEAR SHAFT 2° WITH OIL DRAFT
022	022L08222	KEY SHAFT 2°
023	023L412	SHAFT 2°
024	024L704N	NYLON WASHER SHAFT 1° CASING SIDE
025	025L90253	NEEDLE BUSHING SHAFT 1° CASING SIDE SEE 012L90122
026	026L70N	GASKET GEAR BOX
027	027L801N	NYLON WASHER SHAFT 2° CASING SIDE
028	028L90284	NEEDLE BUSHING SHAFT 2° CASING SIDE
029	029L50292	SEAL RING SHAFT 2° CASING SIDE
030	030L06301	DOWEL PIN GEAR BOX
031	031L05311	WASHER FOR OIL DRAIN PLUG
032	032L01032	OIL DRAIN PLUG
033	033L54	WASHER FOR OIL FIELD PLUG
034	034L55	OIL FIELD PLUG WITH DIPSTICK
035	035L71353	PLASTIC PROTECTION FOR CONNECTING ROD FOR BUILDING VERSION
036	036L14	GEAR BOX CASE IN DIE CASTED ALUMINIUM
037	037L70376	PLUG FOR PLASTIC PROTECTION
077	077L01779	SCREW FASTENING PROTECTION
143	143L114316	BOLT FASTENING LIFTING HOOK
206	206L3020626	LIFTING HOOK
209	209L520917	WASHER FOR BOLT
137	137L115N	ALUMINIUM DIE CASTED GEAR BOX STRAIGHT TEETH ASSY RATIO 1/43
138	138L116N	ALUMINIUM DIE CASTED GEAR BOX STRAIGHT TEETH ASSY RATIO 1/38
315	315L3607	REPLACEMENT KIT OLD COVER 007L12 AND CASE 036L13 (INCLUDES ITEMS 007L14 -026L70N-034L55-036L14-008L701-009L702)



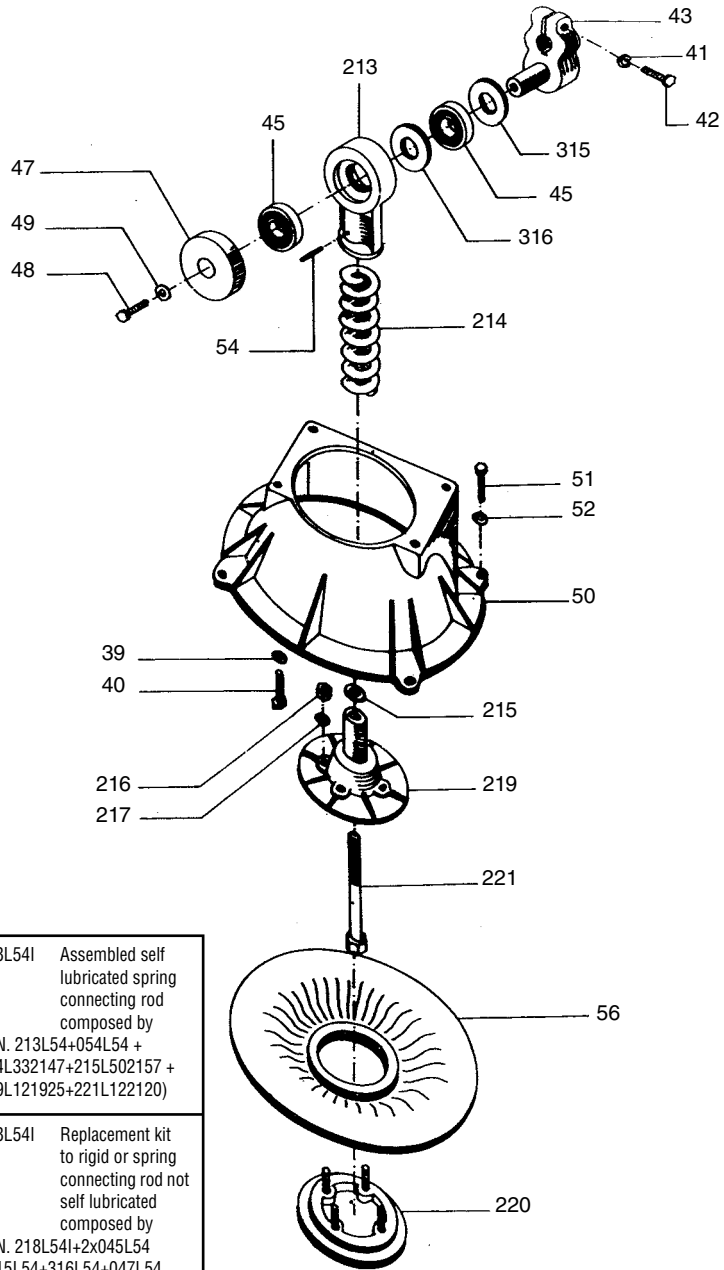
Aluminium gear box at helical teeth

**FIG 2**

FIG.	ITEM	DESCRIPTION
1	001 L1002	Adapter coupling engine for Briggs & Stratton PLUS 3,5 HP - Robin Ex13/Ex17-Honda GX120/160 QX - Kohler CS6T (shaft diam mm 19,05)
2	002L0321	Stud fastening pump to flange
3	003L0321	Capscrew fastening engine to flange
4	004L0142	Bolt fastening pinion to engine (to specify)
6	006L5061	Oil seal ring
10	010L02102	Capscrew t.i. fastening cover to casing
17	017L08171	Key shaft 1°
19	019L04191	Seeger ring shaft 2°
22	022L08222	Key shaft 2°
23	023L412	Shaft 2°
26	026L70N	Gasket gear box
29	029L50292	Seal ring shaft 2° casing side
30	030L06301	Dowel pin gear box
31	031L05311	Washer for oil drain plug
32	032L01032	Oil drain plug
33	033L54	Washer for oil field plug
34	034L55	Oil field plug with dipstick
35	035L71353	Plastic protection for connecting rod for building version
37	037L70376	Plug for plastic protection
67	067L90676	Bearing shaft 2°
77	077L01779	Screw fastening protection
143	143L114316	Bolt fastening lifting hook
192	192L4011	Helical pinion for electric motor ratio 1:43 ( shaft diam 24 mm)
192	192L4012	Helical pinion for electric motor ratio 1:38 ( shaft diam 24 mm)
192	192L4013	Helical pinion for electric motor ratio 1:30 ( shaft diam 24 mm)
192	192L4014	Helical pinion for gasoline or diesel engine ratio 1:43 (for shaft diam 19,05 mm.)
192	192L4020	Helical pinion for electric motor NEMA C ratio 1:38 ( shaft diam 22,2 mm)
193	193L9019311	Bearing for helical pinion
194	194L701948	Plug for cover see 205L7020512
195	195L100	Helical Cover gear box Aluminium
196	196L9019612	Needle bushing
197	197L7091	Washer shaft 2° cover side
198	198L7011	Washer shaft 1° cover side
199	199L4013	Helical driven shaft 2°
200	200L4014	Helical driven shaft 1° R R. 1:43
200	200L4015	Helical driven shaft 1° R R. 1:38
200	200L4016	Helical driven shaft 1° R R. 1:30
201	201L415	Shaft 1°
202	202L7012	Washer shaft 1° casing side
204	204L100	Helical Carter gear box Aluminium
205	205L7020512	Plug shaft 1° casing side
206	206L3020626	Lifting hook
209	209L520917	Washer for bolt
207	207L115N	Aluminium gear box helicals teeth assy ratio 1/43 (without pinion)
208	208L116N	Aluminium gear box helicals teeth assy ratio 1/38 (without pinion)
208	208L117N	Aluminium gear box helicals teeth assy ratio 1/30 (without pinion)

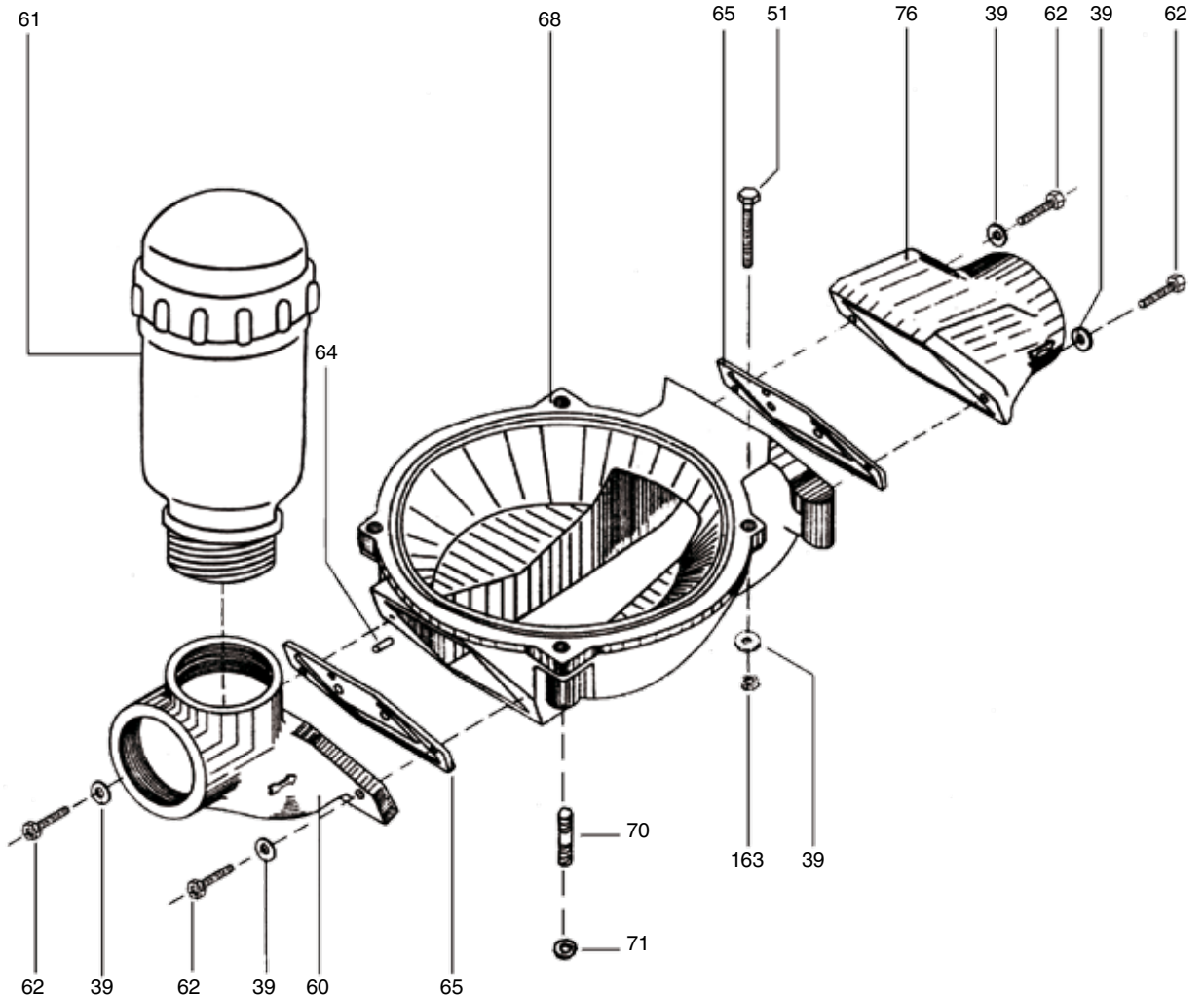
FIG 3

Self lubricated connecting rod and diaphragm



218L54I Assembled self lubricated spring connecting rod composed by  
(P.N. 213L54+054L54 + 214L332147+215L502157 + 219L121925+221L122120)

218L54I Replacement kit to rigid or spring connecting rod not self lubricated composed by  
(P.N. 218L54I+2x045L54 +315L54+316L54+047L54 +049L05495+048L01484)



Pump case with threaded suction/delivery branches and air chamber

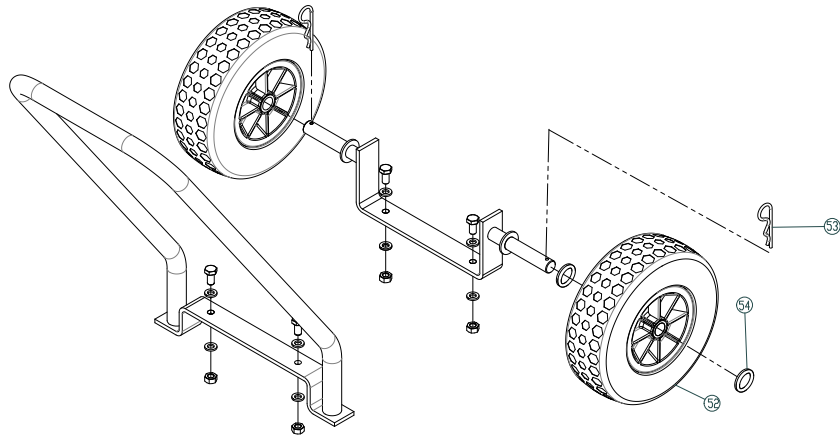
FIG 4

**FIG 3**

FIG	ITEM	DESCRIPTION
039	039L05393	WASHER
040	040L01402	BOLT
041	041L05414	WASHER
042	042L01423	BOLT CLAMPING CRANK
043	043L321	CRANK
045	045L54	CONNECTING ROD BEARING FOR SELF LUBRICATED VERSION
047	047L54	CONNECTING ROD COVER FOR SELF LUBRICATED VERSION
048	048L01484	BOLT CLAMPING COVER
049	049L05495	WASHER FOR BOLT (SEE 041L05414)
050	050L13	MOUNTING CASE ALUMINIUM
051	051L01515	BOLT CLAMPING MOUNTING TO PUMP CASE
052	052L05526	WASHER FOR BOLT SEE 039L05393
054	054L54	PIN FIXING BIG END CONNECTING ROD SELF LUBRICATED VERSION
056	056L20561	NEOPRENE DIAPHRAGM
056	056L21561	NBR DIAPHRAGM
056	056L22561	HYPALON DIAPHRAGM
056	056L23561	DUTRAL DIAPHRAGM
056	056L24561	NO TOXIC RUBBER DIAPHRAGM
056	056L24562	SILICON RUBBER DIAPHRAGM
056	056L25561	VITON DIAPHRAGM
213	213L54	BIG ENG OF THE SELF LUBRICATED CONNECTING ROD ALUMINIUM
214	214L332147	SPRING FOR CONNECTING ROD
215	215L502157	INTERNAL RING
216	216L721612	NUT FASTENING DIAPHRAGM SEE163L71637
217	217L521718	WASHER FOR NUT SEE 039L05393
	218L541	CONNECTING ROD WITH SPRING SELF LUBRICATED VERSION
	218L540I	REPLACEMENT KIT TO RIGID CONNECTING ROD OR OLD TYPE SPRING CONNECTING ROD
	053L540	RIGID CONNECTING ROD SELF LUBRICATED
219	219L54	SMALL END OF CONNECTING ROD ALUMINIUM DIE CASTED
220	220L122026	DIAPHRAGM LOOKING FLANGE ALUMINIUM WITH STUDS
220	057L25	DIAPHRAGM LOOKING FLANGE ALUMINIUM ANTICORODAL
221	221L122120	BOLT CONNECTING ROD STEM
315	315L54	SPACER
316	316L54	SPACER

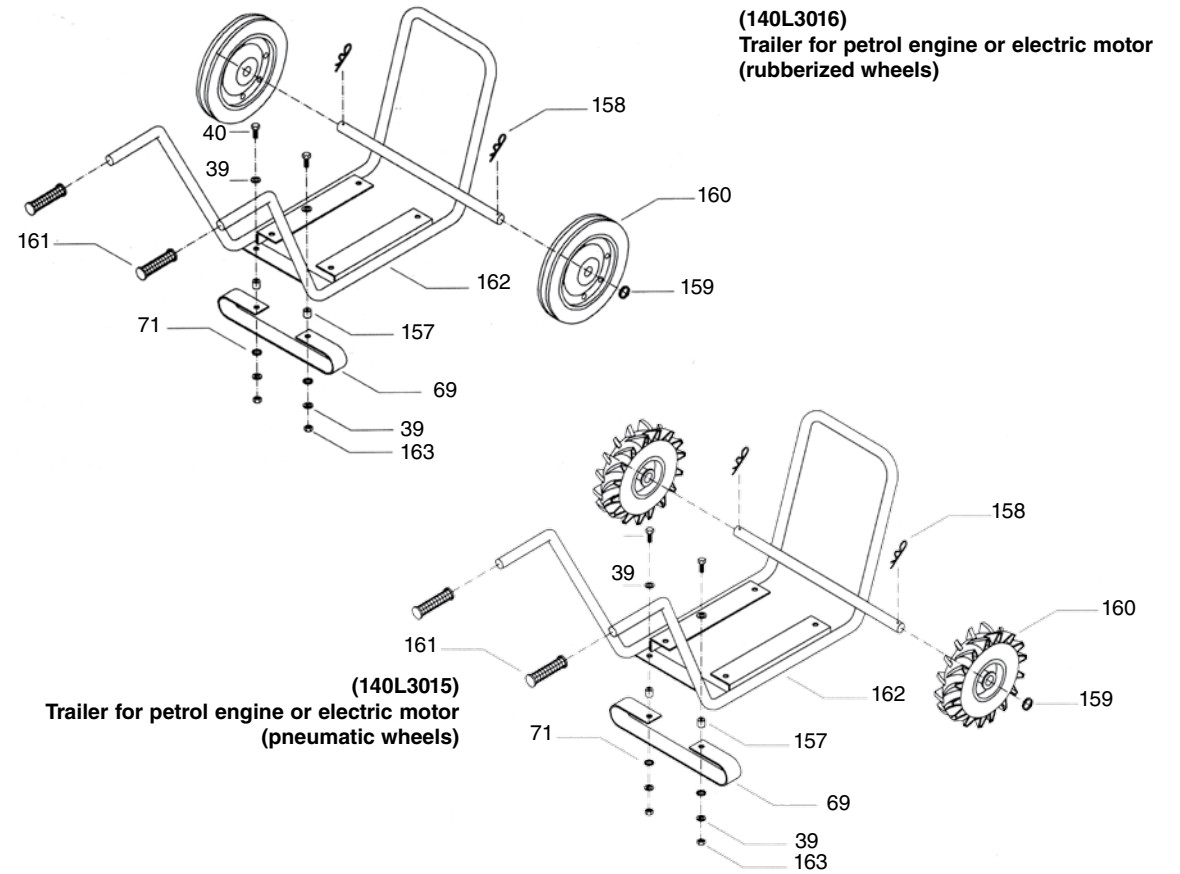
**FIG 4**

FIG	ITEM	DESCRIPTION
039	039L05393	WASHER
051	051L01512	BOLT CLAMPING MOUNTING TO PUMP CASE
060	060L170	SUCTION BRANCH THREADED 3" BSP ALUMINIUM
060	060L18	SUCTION BRANCH THREADED 3" NPT ALUMINIUM
060	060L26	SUCTION BRANCH THREADED 3" BSP ALUMINIUM ANTICORODAL
061	061L50	POLYPROPYLENE AIR CHAMBER THREADED 3"BSP WITH INSPECTION
061	061L51	POLYPROPYLENE AIR CHAMBER THREADED 3"NPT WITH INSPECTION
062	062L01628	STUD FASTENING BRANCH TO PUMP CASE (DIE CASTED VERSION)
064	064L06643	DOWEL PIN FRO BRANCH
065	065L202	SUCTION/DELIVERY VALVES NEOPRENE
065	065L212	SUCTION/DELIVERY VALVES NBR
065	065L222	SUCTION/DELIVERY VALVES HYPALON
065	065L232	SUCTION/DELIVERY VALVES DUTRAL
065	065L242	SUCTION/DELIVERY VALVES ATOXICITY RUBBER
065	065L243	SUCTION/DELIVERY VALVES SILICON
065	065L252	SUCTION/DELIVERY VALVES VITON
068	068L108	PUMP CASE ALUMINIUM
068	068L27	PUMP CASE ALUMINIUM ANTICORODAL
070	070L01708	STUD FASTENING PUMP CASE
071	071L05719	WASHER FOR STUD SEE 039L05393
076	076L190	DELIVERY BRANCH THREADED 3" BSP ALUMINIUM
076	076L110	DELIVERY BRANCH THREADED 3" NPT ALUMINIUM
076	076L28	DELIVERY BRANCH THREADED 3" BSP ALUMINIUM ANTICORODAL
163	163L71637	NUT



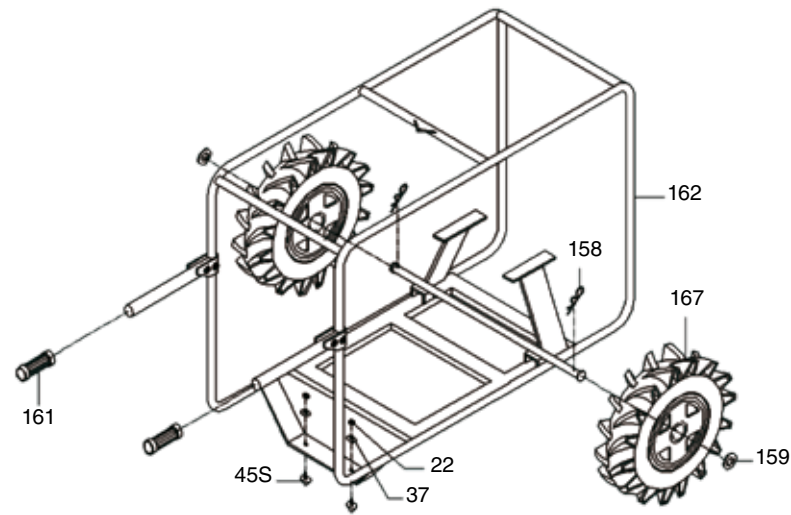
(140L 3017)  
Simply trailer

FIG 5



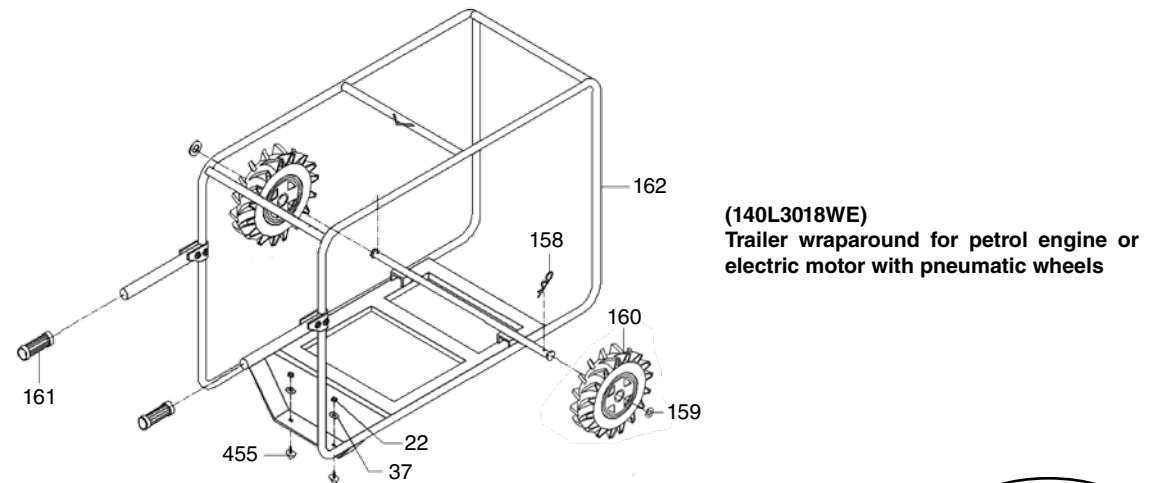
(140L3016)  
Trailer for petrol engine or electric motor  
(rubberized wheels)

(140L3015)  
Trailer for petrol engine or electric motor  
(pneumatic wheels)



(141L3018WH - 141L3018WL)  
Trailer wraparound for diesel engine with pneumatic wheels

FIG 6



(140L3018WE)  
Trailer wraparound for petrol engine or  
electric motor with pneumatic wheels

FIG 7



**FIG 5**

FIG.	ITEM	DESCRIPTION
140	140L3017	TRAILER ASSY FOR PETROL ENGINE OR ELECTRIC MOTOR (SIMPLY TYPE)
160	160L271605	PNEUMATIC WHEELS FOR TRAILER
158	158L61585	PIN
159	159L3015917	WASHER

**FIG 6**

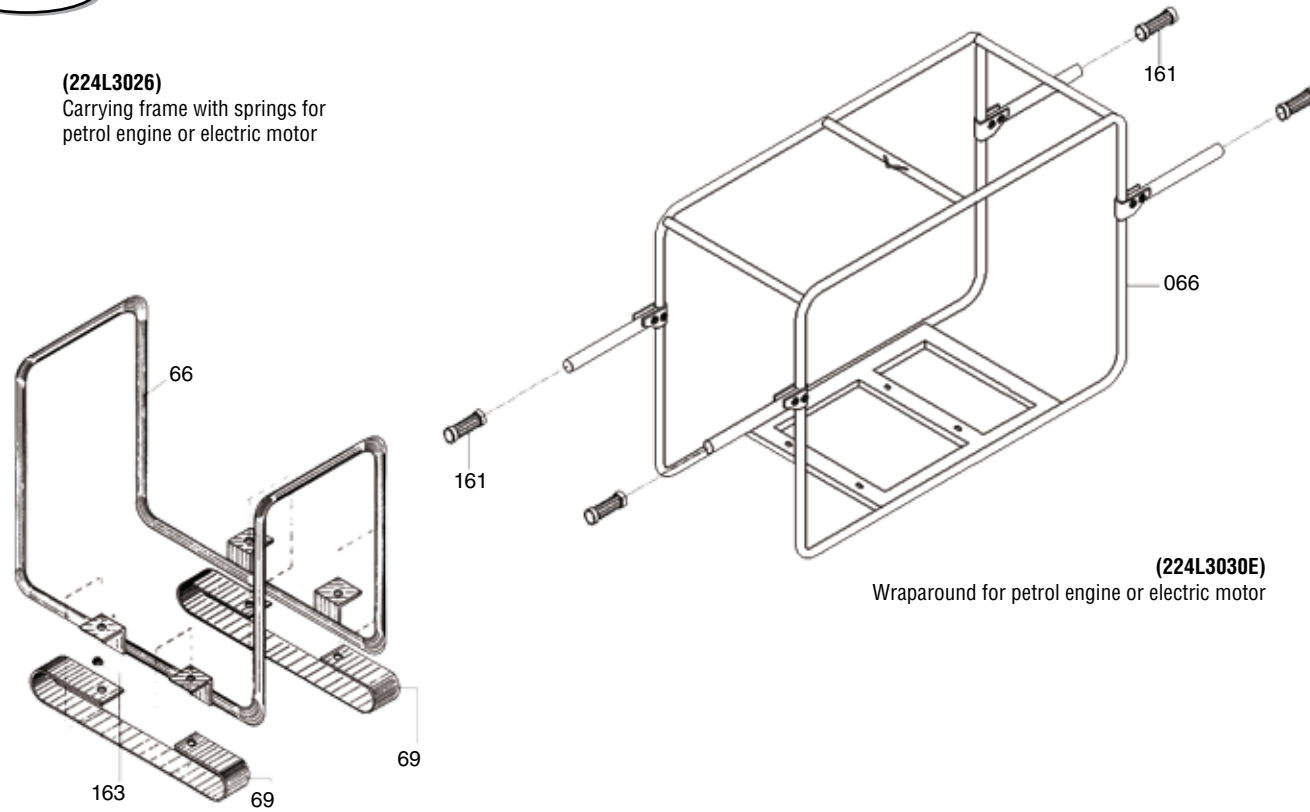
FIG.	ITEM	DESCRIPTION
141	141L3018WH	TRAILER WRAPAROUND FOR DIESEL ENGINE HATZ 1B20 WITH PNEUMATIC WHEELS
141	141L3018WL	TRAILER WRAPAROUND FOR DIESEL LOMBARDINI 15LD225 ENGINE WITH PNEUMATIC WHEELS
22	TL022/0	NUT
37	TL037/0	WASHER
45S	TL045/S	SHOCK ABSORBER
158	158L61585	PIN
159	159L3015917	WASHER FOR WHEEL
161	161L281611	HAND GRIP
162	162L3026	TRAILER WRAPAROUND SUB BASE FOR HATZ 1B20
162	162L3027	TRAILER WRAPAROUND SUB BASE FOR LOMBARDINI 15LD225
167	167L271674	PNEUMATIC WHEEL FOR TRAILER WRAPAROUND

**FIG 7**

FIG.	ITEM	DESCRIPTION
140	140L3015	TRAILER ASSY WITH HANDLES FOR PETROL ENGINE OR ELECTRIC MOTOR WITH PNEUMATIC WHEELS
140	140L3016	TRAILER ASSY WITH HANDLES FOR PETROL ENGINE OR ELECTRIC MOTOR WITH RUBBERIZED WHEELS
140	140L3018WE	TRAILER WRAPAROUND FOR PETROL ENGINE OR ELECTRIC MOTOR WITH PNEUMATIC WHEELS 4.00 4
22	TL022/0	NUT
37	TL037/0	WASHER
39	039L05393	WASHER
40	040L01402	BOLT
45S	TL045/S	SHOCK ABSORBER
69	069L30694	LAMINATED SPRING
71	071L05719	WASHER
157	157L301578	SPACER
158	158L61585	PIN
159	159L3015917	WASHER FOR WHEEL
160	160L271601	RUBBERIZED WHEEL
160	160L271604	PNEUMATIC WHEEL 4.00 4
161	161L281611	HAND GRIP
162	162L3020	TRAILER SUB BASE DRIVEN BY TWO HANDLES FOR PNEUMATIC WHEELS
162	162L30205	TRAILER SUB BASE DRIVEN BY TWO HANDLES FOR RUBBERIZED WHEELS
162	162L3025/B	TRAILER WRAPAROUND SUB BASE WITH PNEUMATIC WHEELS 4.00 4
163	163L71637	NUT

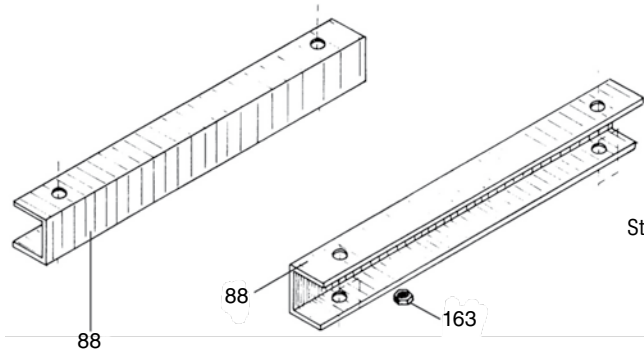
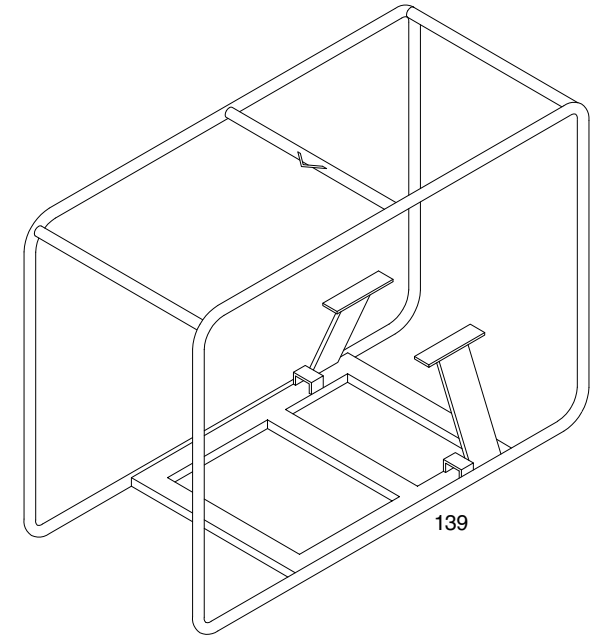
**FIG 8**

(224L3026)  
Carrying frame with springs for petrol engine or electric motor



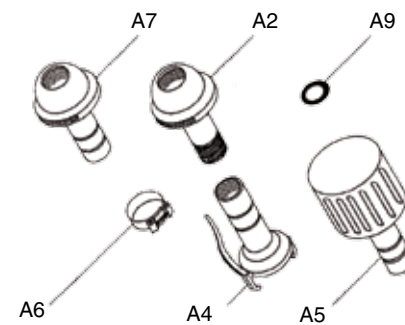
**FIG 9**

Stationary frame for diesel engine



Stationary frame for electric motor or petrol engine

**FIG 10**



Accessories

**FIG 11**

**FIG 8**

FIG.	ITEM	DESCRIPTION
224	224L3026	CARRYING FRAME ASSY WITH FOR PETROL OR ELECTRIC MOTOR
224	224L3030E	WRAPAROUND FOR PETROL ENGINE OR ELECTRIC MOTOR
066	066L30663	CHASSIS
066	066L40	CHASSIS WRAPAROUND
069	069L30694	LAMINATED SPRING
161	161L281611	HAND GRIP
163	163L71637	NUT

**FIG 9**

FIG.	ITEM	DESCRIPTION
139	139L3016WH	STATIONARY FRAME FOR DIESEL ENGINE HATZ 1B20
139	139L3016WL	STATIONARY FRAME FOR DIESEL ENGINE LOMBARDINI 15LD225

**FIG 10**

FIG.	ITEM	DESCRIPTION
088	088L307	STATIONARY FRAME ASSY FOR PETROL ENGINE OR ELECTRIC MOTOR
163	163L71637	NUT

**FIG 11**

FIG.	ITEM	DESCRIPTION
	B2A03MT6	SUCTION OR DELIVERY REINFORCED RUBBER HOSE DIAM.80MM. LENGHT MT.6
A2	B2N07	THREADED MALE COUPLING 3" X 80MM
A4	B2R02	FEMALE WITH SPIGOT DIAM. 80MM.
A5	B2E02	GALVANIZED STRAINER DIAM.80MM.
A6	B2GARD.11	CLAMP DIAM. 80MM.
A7	B2R09	MALE WITH SPIGOT DIAM. 80MM.
A9	B2M03	O RING GASKET DIAM.80MM.

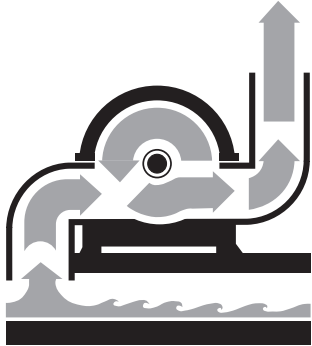


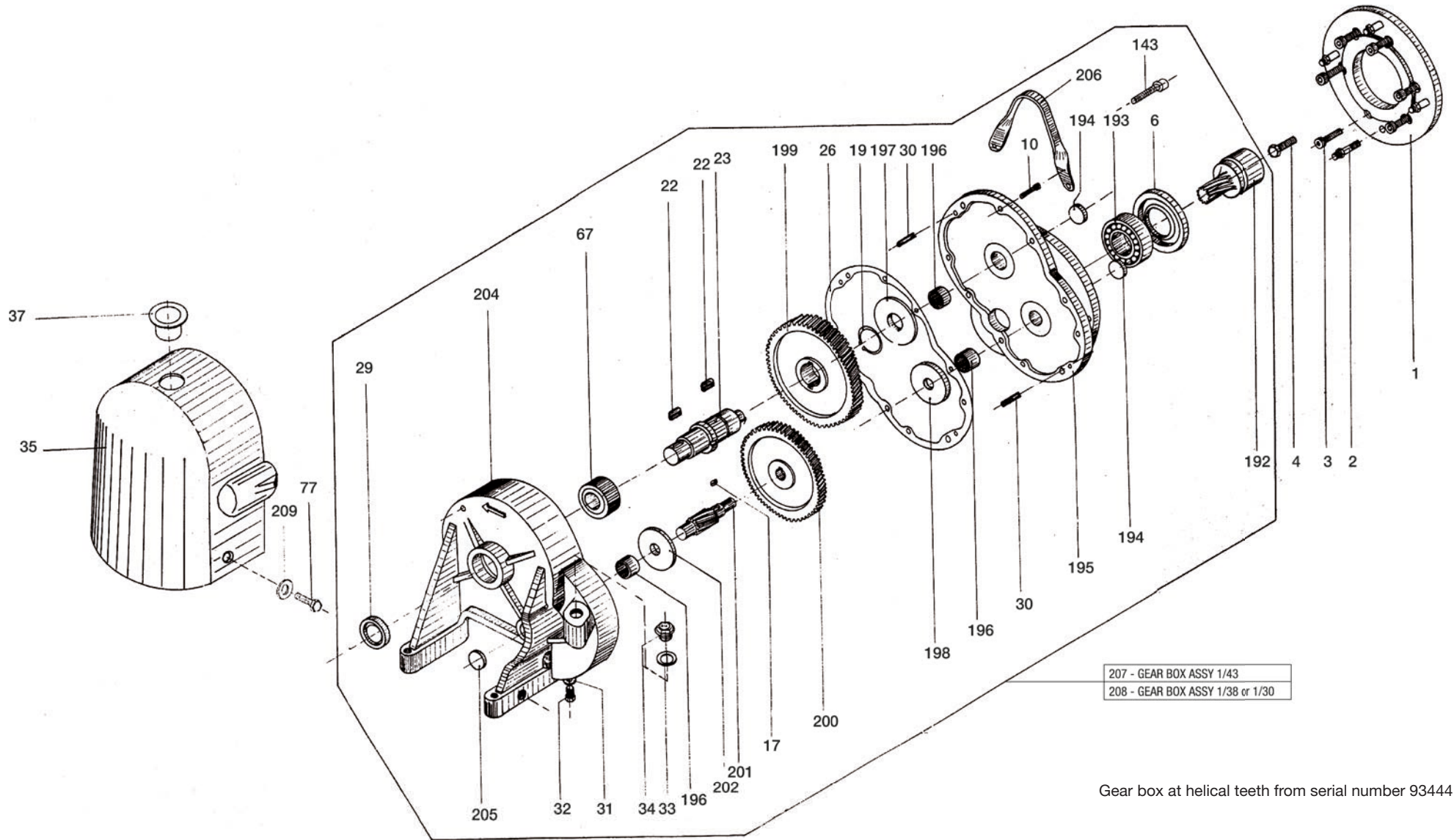
# SPARE PARTS LIST

## SELF PRIMING DIAPHRAGM PUMP

1-3"

INDUSTRIAL VERSION



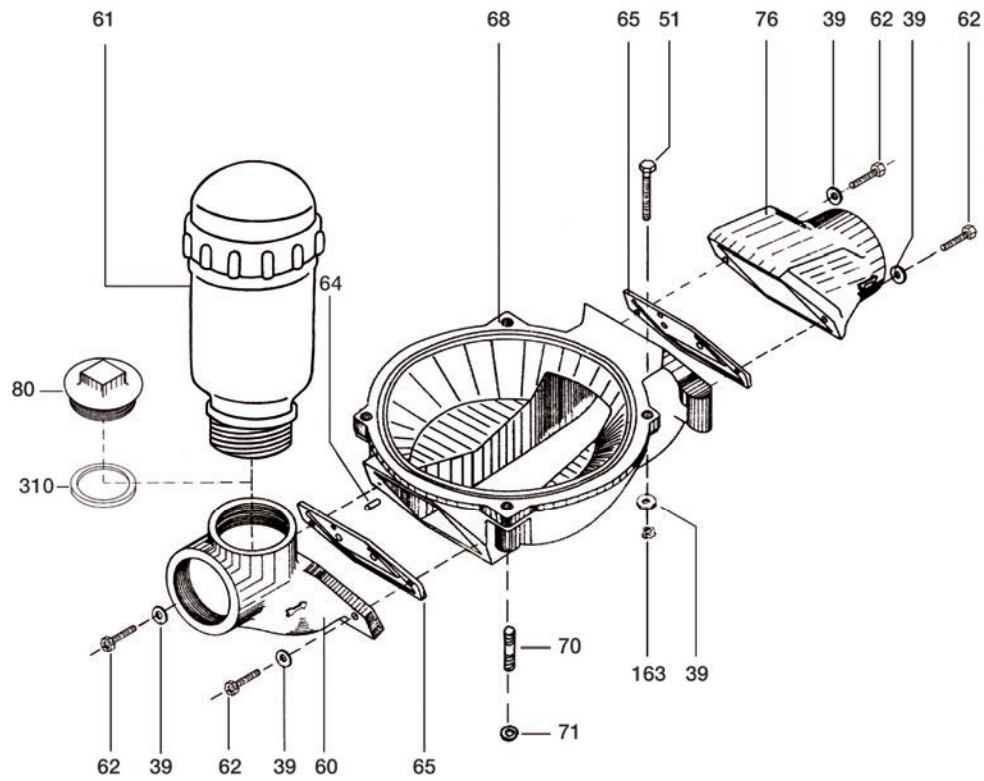


207 - GEAR BOX ASSY 1/43  
 208 - GEAR BOX ASSY 1/38 or 1/30

Gear box at helical teeth from serial number 93444

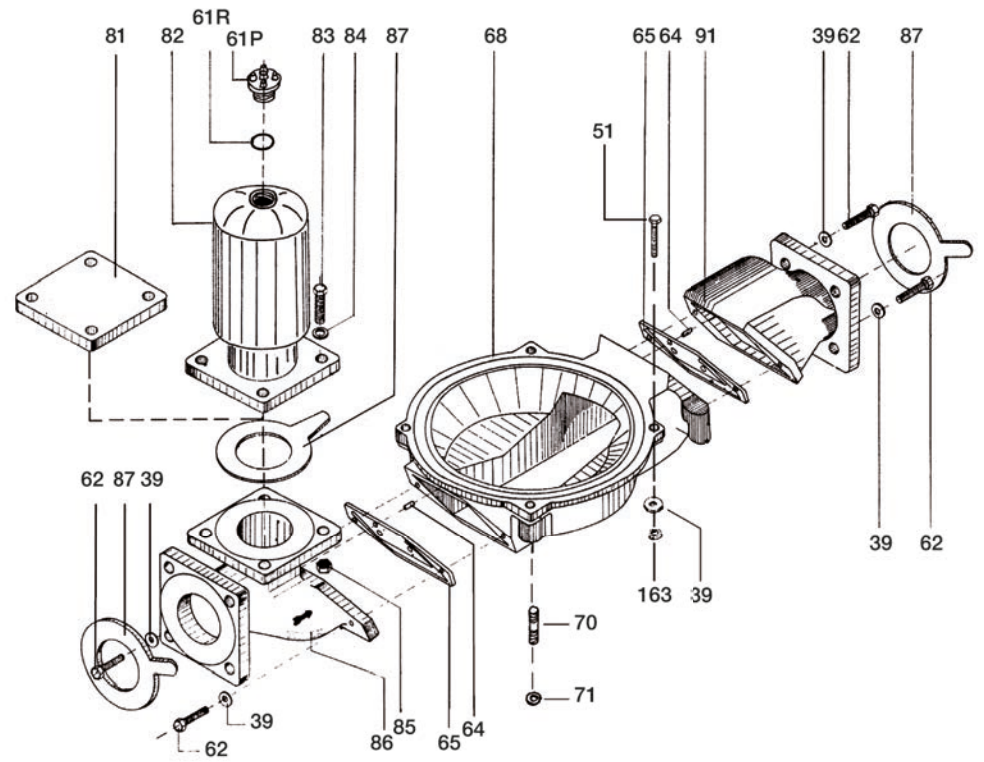
FIG 1

FIG	ITEM	DESCRIPTION
001		ADAPTER COUPLING ENGINE ASSY FOR:
001	001 L1002	BRIGGS & STRATTON PLUS 3,5 HP - ROBIN EY15-EY20 HONDA GX120/160 QX (SHAFT D.MM 19,05)
001	001L208	ELECTRIC MOTOR SIZE100 (FOR SPECIAL EXECUTION)
001	001L109	ELECTRIC MOTOR NEMA C145
002	002L0321	STUD FASTENING PUMP TO FLANGE
003	003L0231	CAPSCREW FASTENING ENGINE TO FLANGE
004	004L0142	BOLT FASTENING PINION TO ENGINE (TO SPECIFY)
006	006L5061	OIL SEAL RING
010	010L02102	CAPSCREW T.I. FASTENING COVER TO CASING
017	017L08171	KEY SHAFT 1°
019	019L04191	SEEGER RING SHAFT 2°
022	022L08222	KEY SHAFT 2°
023	023L412	SHAFT 2°
026	026L60261	GASKET GEAR BOX
029	029L50292	SEAL RING SHAFT 2° CASING SIDE
030	030L06301	DOWEL PIN GEAR BOX
031	031L05311	WASHER FOR OIL DRAIN PLUG
032	032L0101	OIL DRAIN PLUG
033	033L54	WASHER FOR OIL FIELD PLUG
034	034L54	OIL FIELD PLUG
035	035L71351	PLASTIC PROTECTION FOR CONNECTING ROD INDUSTRIAL VERSION
037	037L70376	PLUG FOR PLASTIC PROTECTION
067	067L90676	BEARING SHAFT 2°
077	077L01779	SCREW FASTENING PROTECTION
143	143L114316	BOLT FASTENING LIFTING HOOK
192	192L4011	HELICAL PINION FOR ELECTRIC MOTOR RATIO 1:43 (SHAFT DIAM.24 MM)
192	192L4012	HELICAL PINION FOR ELECTRIC MOTOR RATIO 1:38 (SHAFT DIAM.24 MM)
192	192L4013	HELICAL PINION FOR ELECTRIC MOTOR RATIO 1:30 (SHAFT DIAM.24 MM)
192	192L4014	HELICAL PINION FOR GASOLINE OR DIESEL ENGINE RATIO 1:43 (ONLY FOR SHAFT DIAM. 19,05 MM.)
192	192L4020	HELICAL PINION FOR ELECTRIC MOTOR NEMA C RATIO 1:38 (SHAFT DIAM. 22,2 MM.)
192	192L4023	HELICAL PINION FOR ELECTRIC MOTOR RATIO 1:43 (SPECIAL EXECUTION ONLY FOR ELECTRIC MOTOR WITH SHAFT DIAM. 28 MM.)
192	192L4024	HELICAL PINION FOR ELECTRIC MOTOR RATIO 1:38 (SPECIAL EXECUTION ONLY FOR EL. MOTOR WITH SHAFT DIAM. 28 MM.)
192	192L4025	HELICAL PINION FOR ELECTRIC MOTOR RATIO 1:30 (SPECIAL EXECUTION ONLY FOR EL. MOTOR WITH SHAFT DIAM. 28 MM.)
193	193L9019311	BEARING FOR HELICAL PINION
194	194L701948	PLUG FOR COVER (SEE 205L7020512)
195	195L327	COVER GEAX BOX CAST IRON
196	196L9019612	NEEDLE BUSHING
197	197L7091	WASHER SHAFT 2° COVER SIDE (ex 197L709)
198	198L7011	WASHER SHAFT 1° COVER SIDE (ex 198L7010)
199	199L4013	HELICAL DRIVEN SHAFT 2°
200	200L4014	HELICAL DRIVEN SHAFT 1° R R. 1:43
200	200L4015	HELICAL DRIVEN SHAFT 1° R R. 1:38
200	200L4016	HELICAL DRIVEN SHAFT 1° R R. 1:30
201	201L415	SHAFT 1°
202	202L7012	WASHER SHAFT 1° CASING SIDE (ex 202L7011)
204	204L128	CARTER GEAR BOX CAST IRON INCLUDES VENT PLUG 034L54
205	205L7020512	PLUG SHAFT 1° CASING SIDE
206	206L3020626	LIFTING HOOK
207	207L329	CAST IRON GEAR BOX HELICALS TEETH ASSY RATIO 1/43
208	208L330	CAST IRON GEAR BOX HELICALS TEETH ASSY RATIO 1/38
208	208L332	CAST IRON GEAR BOX HELICALS TEETH ASSY RATIO 1/30
209	209L520917	WASHER FOR BOLT



Pump case with threaded suction/delivery branches and air chamber

FIG 2



Pump case with flanged branch DN80 PN10 and air chamber

FIG 2F

**FIG 2**

FIG	ITEM	DESCRIPTION
039	039L05393	WASHER
051	051L01512	BOLT CLAMPING MOUNTING TO PUMP CASE
060	060L170	SUCTION BRANCH THREADED 3" BSP ALUMINIUM
060	060L18	SUCTION BRANCH THREADED 3" NPT ALUMINIUM
060	060L26	SUCTION BRANCH THREADED 3" BSP ALUMINIUM ANTICORODAL
060	060L36	SUCTION BRANCH THREADED 3" BSP CAST IRON
060	060L42	SUCTION BRANCH THREADED 3" BSP BRONZE
060	060L52	SUCTION BRANCH THREADED 3" BSP S.S. AISI 304
060	060L62	SUCTION BRANCH THREADED 3" BSP S.S. AISI 316
061	061L50	POLYPROPYLENE AIR CHAMBER THREADED 3" BSP WITH INSPECTION
061	061L53	AIR CHAMBER THREADED S.S. AISI 304 WITHOUT PLUG
061	061L63	AIR CHAMBER THREADED S.S. AISI 316 WITHOUT PLUG
062	062L01627	BOLT FASTENING BRANCH TO PUMP CASE
064	064L06643	DOWEL PIN FOR BRANCH
065	065L202	SUCTION/DELIVERY VALVES NEOPRENE
065	065L212	SUCTION/DELIVERY VALVES NBR
065	065L222	SUCTION/DELIVERY VALVES HYPALON
065	065L232	SUCTION/DELIVERY VALVES DUTRAL
065	065L244	SUCTION/DELIVERY VALVES ATOXICITY RUBBER COMPLIANT WITH FDA REGULATION
065	065L243	SUCTION/DELIVERY VALVES SILICON
065	065L252	SUCTION/DELIVERY VALVES VITON
068	068L108	PUMP CASE ALUMINIUM
068	068L27	PUMP CASE ALUMINIUM ANTICORODAL
068	068L37	PUMP CASE CAST IRON
068	068L43	PUMP CASE BRONZE
068	068L54	PUMP CASE S.S. AISI 304
068	068L64	PUMP CASE S.S. AISI 316
070	070L01708	STUD FASTENING PUMP CASE
071	071L05719	WASHER FOR STUD SEE 039L05393
076	076L190	DELIVERY BRANCH THREADED 3" BSP ALUMINIUM
076	076L110	DELIVERY BRANCH THREADED 3" NPT ALUMINIUM
076	076L28	DELIVERY BRANCH THREADED 3" BSP ALUMINIUM ANTICORODAL
076	076L38	DELIVERY BRANCH THREADED 3" BSP CAST IRON
076	076L44	DELIVERY BRANCH THREADED 3" BSP BRONZE
076	076L55	DELIVERY BRANCH THREADED 3" BSP S.S. AISI 304
076	076L65	DELIVERY BRANCH THREADED 3" BSP S.S. AISI 316
080	080L39	INSPECTION PLUG THREADED 3" BSP CAST IRON
080	080L45	INSPECTION PLUG THREADED 3" BSP BRONZE
080	080L66	INSPECTION PLUG THREADED 3" BSP S.S. AISI 316
163	163L71637	NUT
310	310L263104	NEOPRENE GASKET

**FIG 2F**

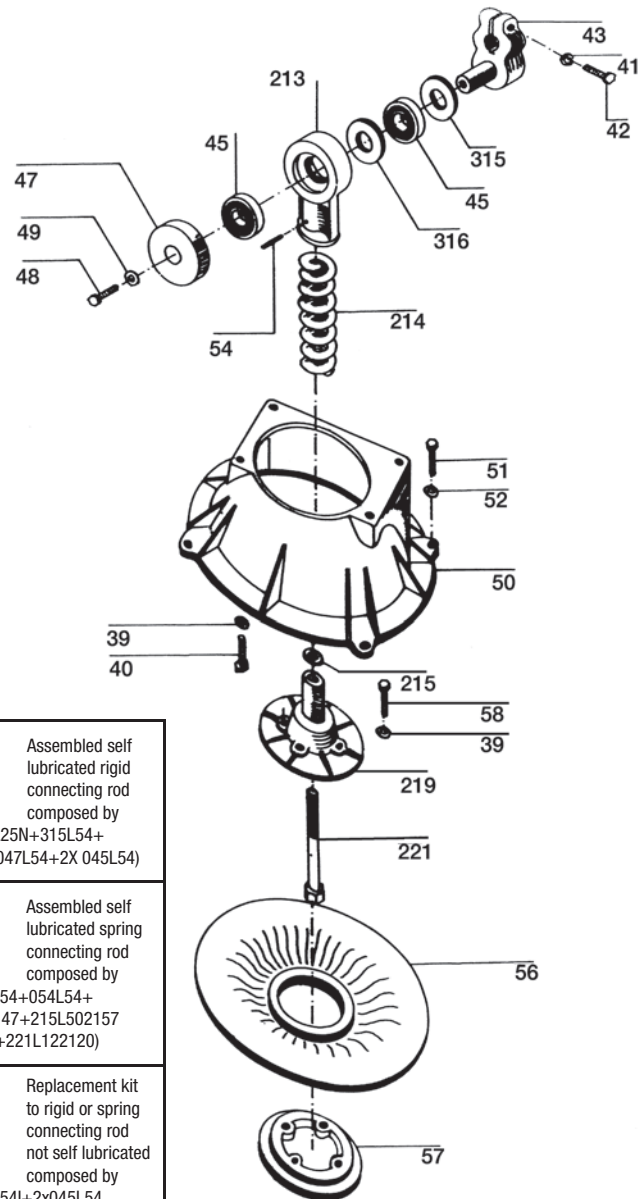
FIG	ITEM	DESCRIPTION
039	039L05393	WASHER
051	051L01512	BOLT CLAMPING MOUNTING TO PUMP CASE
061R	061L43	O RING FOR BRONZE PLUG
061P	061L44	1" BRONZE PLUG
062	062L01627	BOLT FASTENING BRANCH TO PUMP CASE
064	064L06643	DOWEL PIN FOR BRANCH
065	065L202	SUCTION/DELIVERY VALVES NEOPRENE



FIG	ITEM	DESCRIPTION
065	065L212	SUCTION/DELIVERY VALVES NBR
065	065L222	SUCTION/DELIVERY VALVES HYPALON
065	065L232	SUCTION/DELIVERY VALVES DUTRAL
065	065L244	SUCTION/DELIVERY VALVES ATOXICITY RUBBER COMPLIANT WITH FDA REGULATION
065	065L243	SUCTION/DELIVERY VALVES SILICON
065	065L252	SUCTION/DELIVERY VALVES VITON
068	068L108	PUMP CASE ALUMINIUM
068	068L27	PUMP CASE ALUMINIUM ANTICORODAL
068	068L37	PUMP CASE CAST IRON
068	068L43	PUMP CASE BRONZE
068	068L54	PUMP CASE S.S. AISI 304
068	068L64	PUMP CASE S.S. AISI 316
068	068L72	PUMP CASE ALUMINIUM RILSAN COATED
070	070L01708	STUD FASTENING PUMP CASE
071	071L05719	WASHER FOR STUD SEE 039L05393
081	081L310	INSPECTION PLUG FLANGED IRON
081	081L67	INSPECTION PLUG FLANGED S.S. AISI 316
081	081L73	INSPECTION PLUG FLANGED RILSAN COATED
082	082L30824	FLANGED STEEL STRIP AIR CHAMBER WITH 1" HOLE FOR PLUG
082	082L34	FLANGED STEEL STRIP AIR CHAMBER WITH BRONZE PLUG
082	082L68	FLANGED S.S. AISI 316 AIR CHAMBER WITHOUT PLUG
082	082L74	FLANGED RILSAN COATED AIR CHAMBER WITHOUT PLUG
083	083L018310	BOLT FASTENING AIR CHAMBER
084	084L05849	WASHER
085	085L07851	NUT
086	086L111	SUCTION BRANCH FLANGED DN80 PN10 ALUMINIUM
086	086L210	SUCTION BRANCH FLANGED DN80 PN10 ALUMINIUM ANTICORODAL
086	086L311	SUCTION BRANCH FLANGED DN80 PN10 CAST IRON
086	086L59	SUCTION BRANCH FLANGED DN80 PN10 S.S. AISI 304
086	086L609	SUCTION BRANCH FLANGED DN80 PN10 S.S. AISI 316
086	086L75	SUCTION BRANCH FLANGED DN80 PN10 ALUMINIUM RILSAN COATED
087	087L20873	NEOPRENE PLATE GASKET DN 80
087	087L21873	NBR PLATE GASKET DN80
087	087L22873	HYPALON PLATE GASKET DN 80
087	087L23873	DUTRAL PLATE GASKET DN 80
087	087L24873	ATOXICITY RUBBER PLATE GASKET DN 80
087	087L25873	VITON PLATE GASKET DN80
091	091L112	DELIVERY BRANCH FLANGED DN80 PN10 ALUMINIUM
091	091L211	DELIVERY BRANCH FLANGED DN80 PN10 ALUMINIUM ANTICORODAL
091	091L312	DELIVERY BRANCH FLANGED DN80 PN10 CAST IRON
091	091L510	DELIVERY BRANCH FLANGED DN80 PN10 S.S. AISI 304
091	091L610	DELIVERY BRANCH FLANGED DN80 PN10 S.S. AISI 316
091	091L76	DELIVERY BRANCH FLANGED DN80 PN10 ALUMINIUM RILSAN COATED
163	163L71637	NUT

**FIG 3**

Self lubricated connecting rod and diaphragm

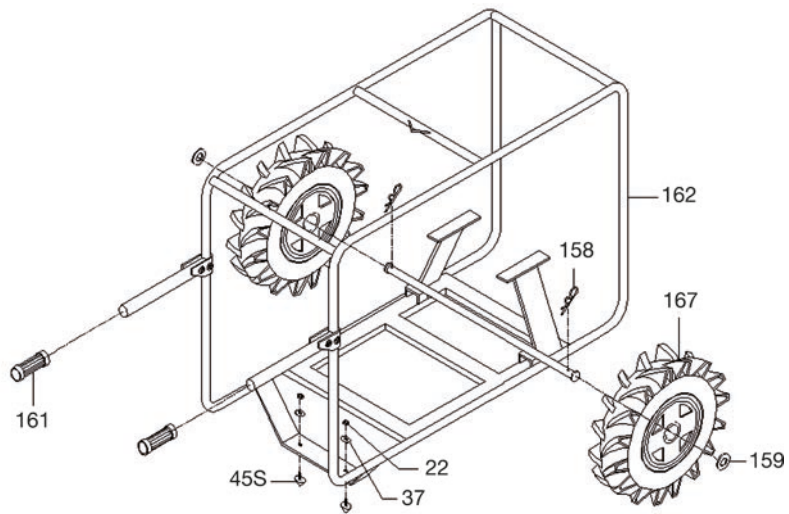


053L540 Assembled self lubricated rigid connecting rod composed by (P.N. 053L25N+315L54+316L54+047L54+2X 045L54)

218L54I Assembled self lubricated spring connecting rod composed by (P.N. 213L54+054L54+214L332147+215L502157+219L54+221L122120)

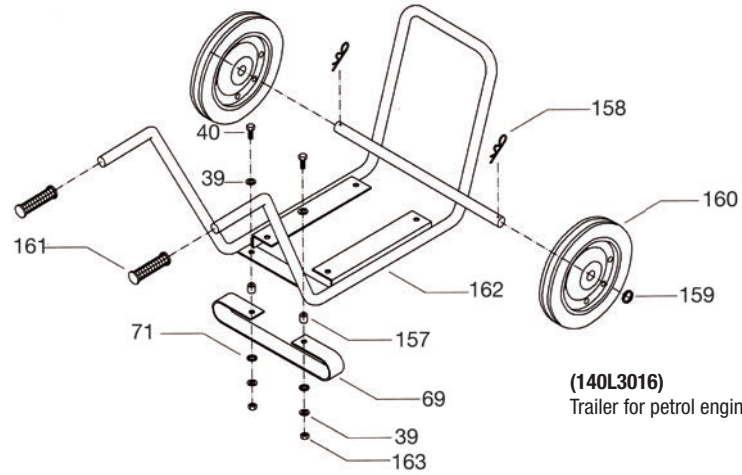
218L540I Replacement kit to rigid or spring connecting rod not self lubricated composed by (P.N. 218L54I+2x045L54+315L54+316L54+047L54+049L05495+048L01484)

FIG.	ITEM	DESCRIPTION
039	039L05393	WASHER
040	040L01402	BOLT
041	041L05414	WASHER
042	042L01423	BOLT CLAMPING CRANK
043	043L321	CRANK
045	045L54	CONNECTING ROD BEARING FOR SELF LUBRICATED VERSION
047	047L54	CONNECTING ROD COVER FOR SELF LUBRICATED VERSION
048	048L01484	BOLT CLAMPING COVER
049	049L05495	WASHER FOR BOLT
050	050L33	MOUNTING CASE CAST IRON
051	051L01512	BOLT CLAMPING MOUNTING TO PUMP CASE
052	052L05526	WASHER FOR BOLT (SEE 039L05393)
053	053L540	KIT RIGID CONNECTING ROD SELF LUBRICATED
054	054L54	PIN FIXING BIG END CONNECTING ROD SELF LUBRICATED VERSION
056	056L20561	NEOPRENE DIAPHRAGM
056	056L21561	NBR DIAPHRAGM
056	056L22561	HYPALON DIAPHRAGM
056	056L23561	DUTRAL DIAPHRAGM
056	056L25561	VITON DIAPHRAGM
056	056L34	ATOXICITY RUBBER DIAPHRAGM COMPLIANT WITH FDA REGULATION
057	220L122026	DIAPHRAGM LOOKING FLANGE ALUMINIUM
057	057L25	DIAPHRAGM LOOKING FLANGE ALUMINIUM ANTICORODAL
057	057L35	DIAPHRAGM LOOKING FLANGE CAST IRON
057	057L41	DIAPHRAGM LOOKING FLANGE BRONZE
057	057L51	DIAPHRAGM LOOKING FLANGE S.S. AISI 304
057	057L61	DIAPHRAGM LOOKING FLANGE S.S. AISI 316
057	057L71	DIAPHRAGM LOOKING FLANGE ALUMINIUM RILSAN COATED
058	058L01586	BOLT FASTENING DIAPHRAGM
213	213L54	BIG END OF THE SELF LUBRICATED CONNECTING ROD ALUMINIUM
214	214L332147	SPRING FOR CONNECTING ROD
215	215L502157	INTERNAL RING
218	218L54I	CONNECTING ROD WITH SPRING ASSY SELF LUBRICATED INDUSTRIAL VERSION
218	218L540I	REPLACEMENT KIT TO RIGID CONNECTING ROD OR OLD TYPE SPRING CONNECTING ROD
219	219L54	SMALL END OF CONNECTING ROD ALUMINIUM
221	221L122120	BOLT CONNECTING ROD STEM
315	315L54	SPACER
316	316L54	SPACER



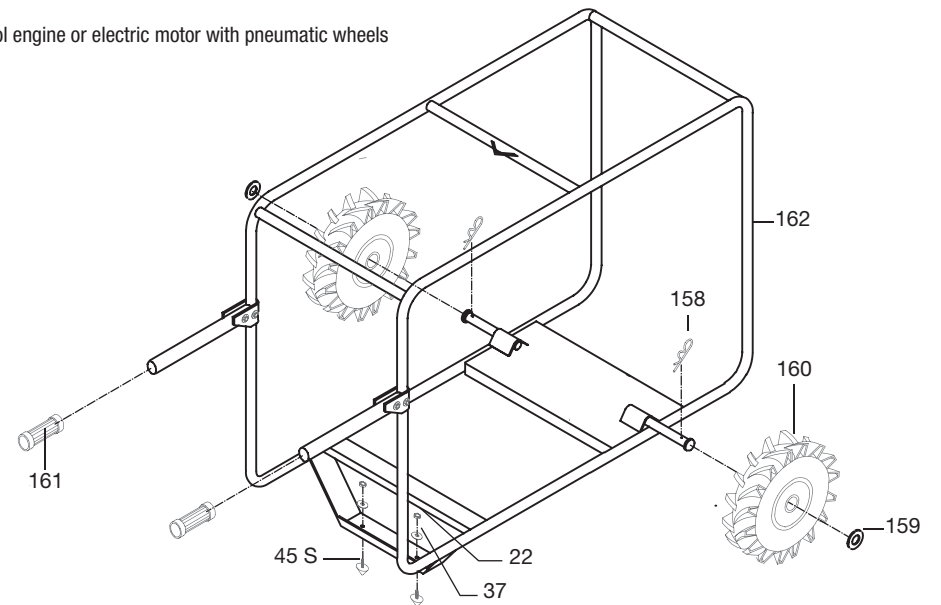
**(141L3018WL - 141L3018WH)**  
Trailer wraparound for diesel engine with pneumatic wheels

**FIG 4**



**(140L3016)**  
Trailer for petrol engine or electric motor (rubberized wheels)

**(140L3018WE)**  
Trailer wraparound for petrol engine or electric motor with pneumatic wheels



**FIG 5**

**FIG 4**

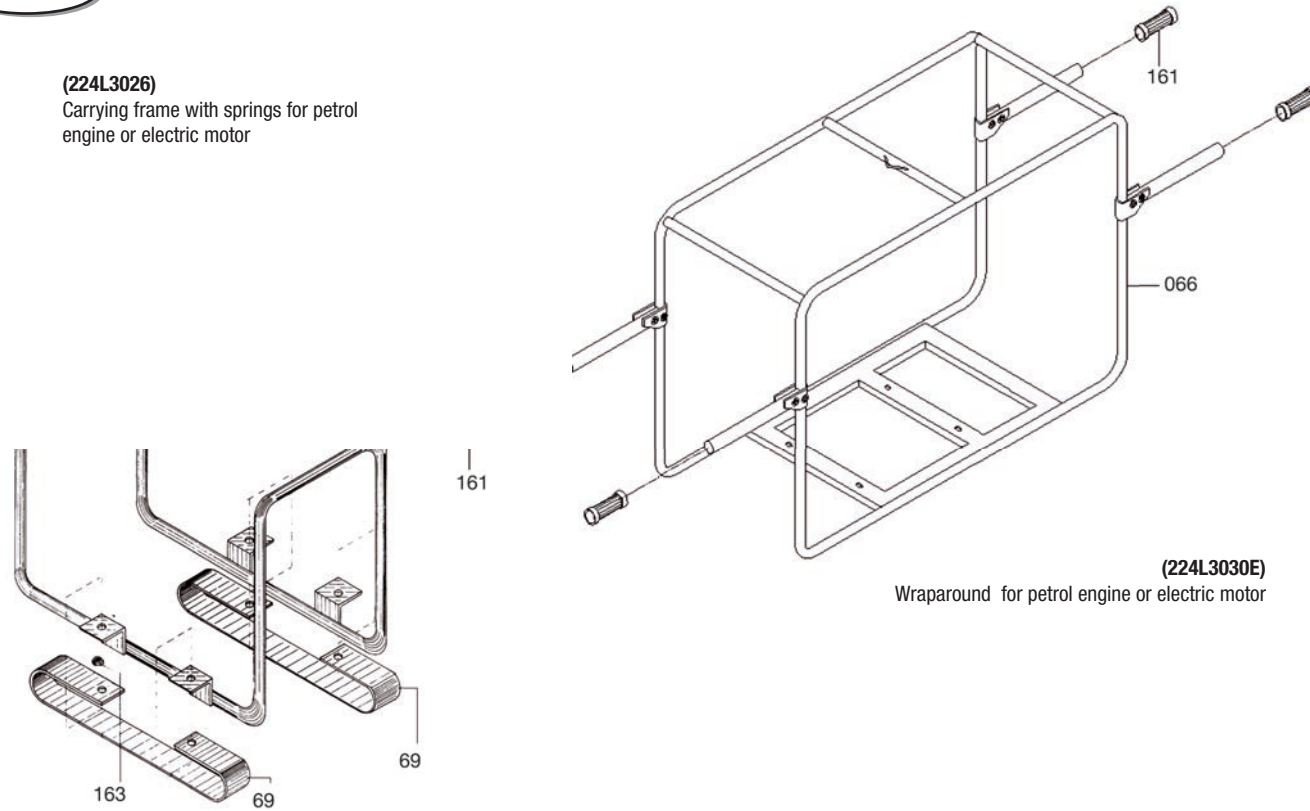
FIG.	ITEM	DESCRIPTION
141	141L3018WH	TRAILER WRAPAROUND FOR DIESEL ENGINE HATZ 1B20 WITH PNEUMATIC WHEELS
141	141L3018WL	TRAILER WRAPAROUND FOR DIESEL ENGINE LOMBARDINI 15LD225 WITH PNEUMATIC WHEELS
22	TL022/0	NUT
37	TL037/0	WASHER
45S	TL045/S	SHOCK ABSORBER
158	158L61585	PIN
159	159L3015917	WASHER FOR WHEEL
161	161L281611	HAND GRIP
162	162L3026	TRAILER WRAPAROUND SUB BASE FOR HATZ 1B20
162	162L3027	TRAILER WRAPAROUND SUB BASE FOR LOMBARDINI 15LD225
167	167L271674	PNEUMATIC WHEEL FOR TRAILER WRAPAROUND

**FIG 5**

FIG.	ITEM	DESCRIPTION
140	140L3016	TRAILER ASSY WITH HANDLES FOR PETROL ENGINE OR ELECTRIC MOTOR WITH RUBBERIZED WHEELS
140	140L3018WE	TRAILER WRAPAROUND FOR PETROL ENGINE OR ELECTRIC MOTOR WITH PNEUMATIC WHEELS 4.00 4
22	TL022/0	NUT
37	TL037/0	WASHER
39	039L05393	WASHER
40	040L01402	BOLT
45S	TL045/S	SHOCK ABSORBER
69	069L30694	LAMINATED SPRING
71	071L05719	WASHER
157	157L301578	SPACER
158	158L61585	PIN
159	159L3015917	WASHER FOR WHEEL
160	160L271601	RUBBERIZED WHEEL
160	160L271604	PNEUMATIC WHEEL
161	161L281611	HAND GRIP
162	162L30205	TRAILER SUB BASE DRIVEN BY TWO HANDLES FOR RUBBERIZED WHEELS
162	162L3025/B	TRAILER WRAPAROUND SUB BASE WITH PNEUMATIC WHEELS 4.00 4
163	163L71637	NUT

**FIG 6**

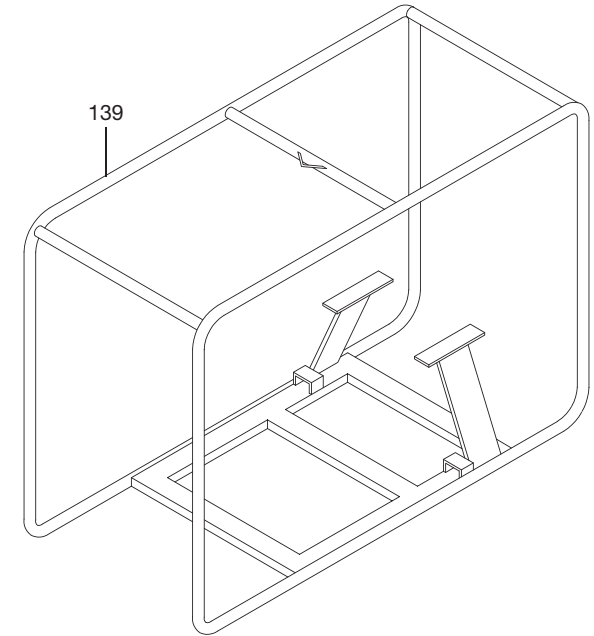
(224L3026)  
Carrying frame with springs for petrol engine or electric motor



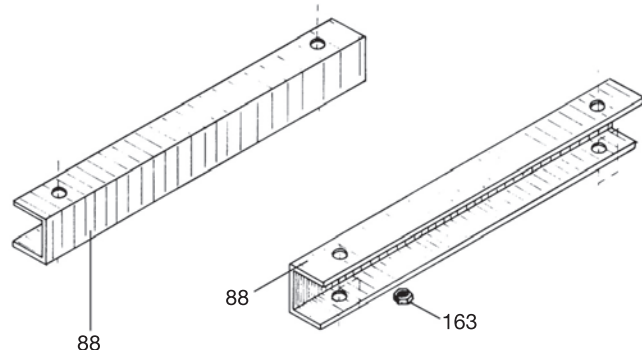
(224L3030E)  
Wraparound for petrol engine or electric motor

**FIG 7**

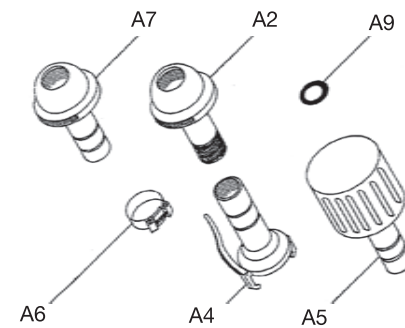
Stationary frame for diesel engine



Stationary frame for electric motor or petrol engine



Accessories



**FIG 8**

**FIG 9**

**FIG 6**

FIG.	ITEM	DESCRIPTION
224	224L3026	CARRYING FRAME ASSY WITH FOR PETROL OR ELECTRIC MOTOR
224	224L3030E	WRAPAROUND FOR PETROL ENGINE OR ELECTRIC MOTOR
066	066L30663	CHASSIS
066	066L40	CHASSIS WRAPAROUND
069	069L30694	LAMINATED SPRING
161	161L281611	HAND GRIP
163	163L71637	NUT

**FIG 7**

FIG.	ITEM	DESCRIPTION
139	139L3018WH	STATIONARY FRAME FOR DIESEL ENGINE HATZ 1B20
139	139L3018WL	STATIONARY FRAME FOR DIESEL ENGINE LOMBARDINI 15LD225

**FIG 8**

FIG.	ITEM	DESCRIPTION
088	088L307	STATIONARY FRAME ASSY FOR PETROL ENGINE OR ELECTRIC MOTOR
088	088L54	STATIONARY FRAME ASSY U AISI 304
163	163L71637	NUT

**FIG 9**

FIG.	ITEM	DESCRIPTION
	B2A03MT6	SUCTION OR DELIVERY REINFORCED RUBBER HOSE DIAM.80MM. LENGHT MT.6
A2	B2N07	THREADED MALE COUPLING 3" X 80MM
A4	B2R02	FEMALE WITH SPIGOT DIAM. 80MM.
A5	B2E02	GALVANIZED STRAINER DIAM.80MM.
A6	B2GARD.11	CLAMP DIAM. 80MM.
A7	B2R09	MALE WITH SPIGOT DIAM. 80MM.
A9	B2M03	O RING GASKET DIAM.80MM.