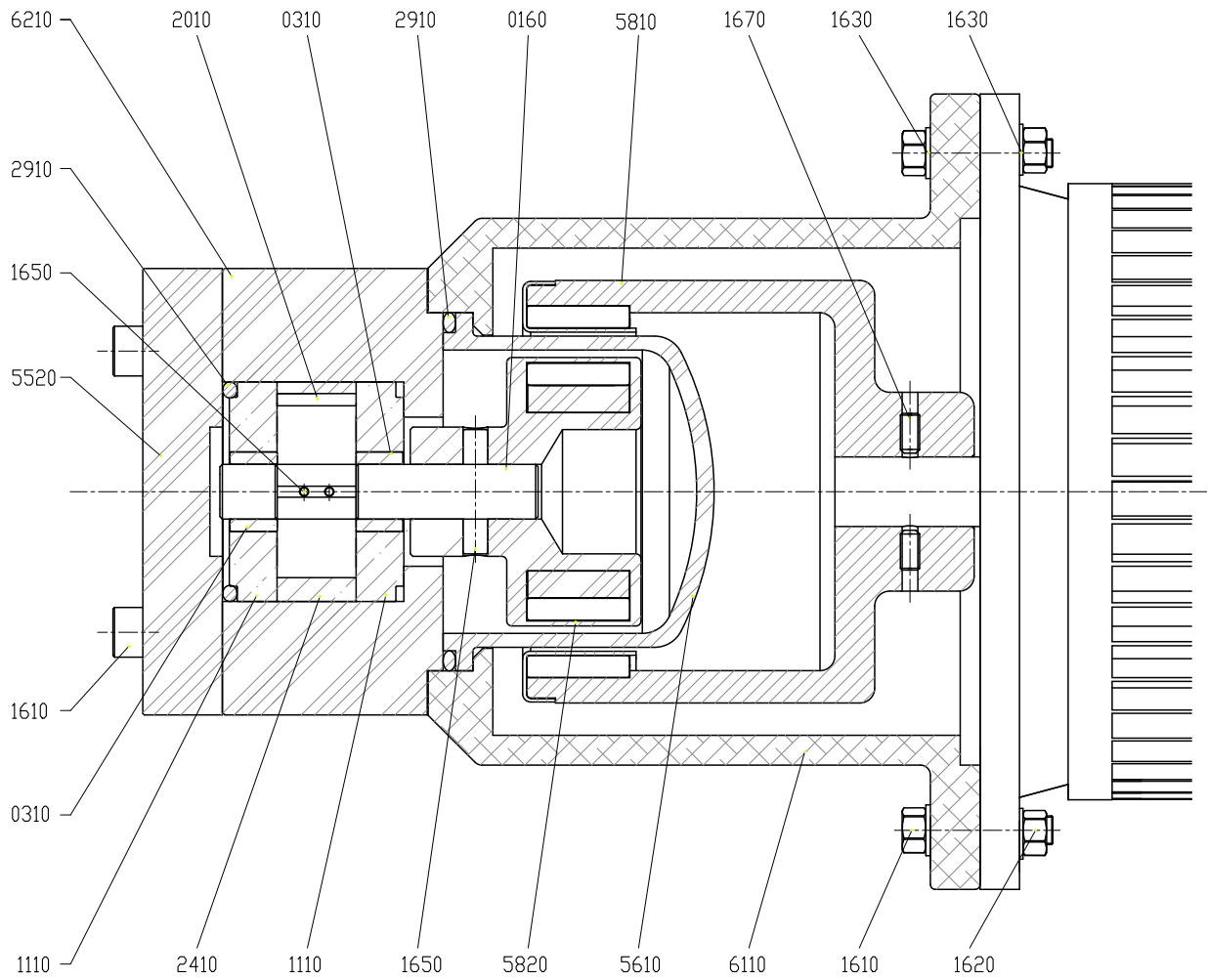
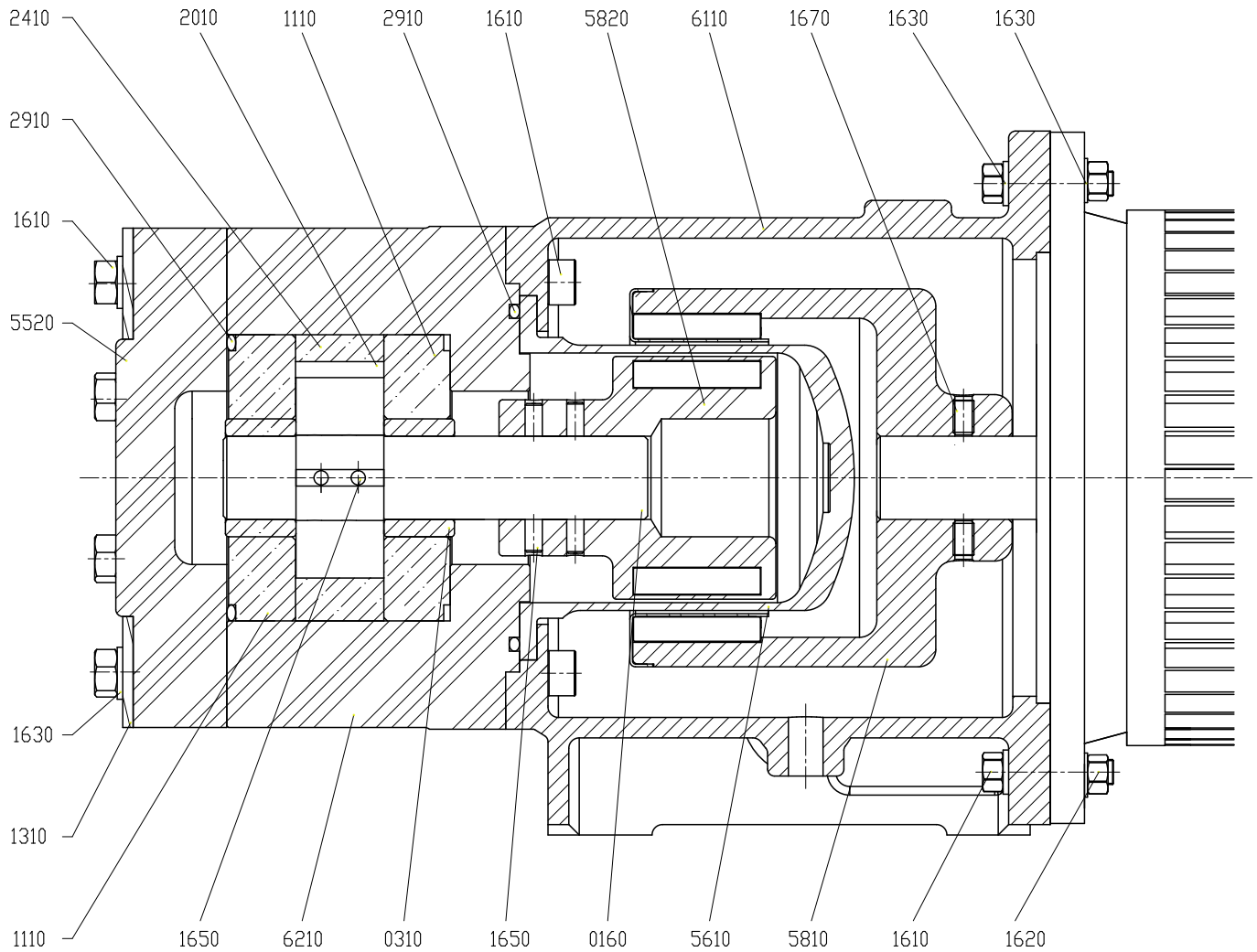


SECTION AND PART LIST
SERIE/PUMP SERIES: VPA



N°		DESCRIPTION
0160		Rotor
0310		Bushing
1110		Disc
1610		Screw
1620		Nut
1630		Washer
1650		Pins
1670		Exagon Socket Set Screw
2010		Vanes
2410		Stator
2910		□-Ring
5520		Pump Casing Cover
5610		Rear Casing
5810		External Magnet
5820		Internal Magnet
6110		Bracket
6220		Pump Casing

SECTION AND PART LIST
SERIE/PUMP SERIES: VPM



N°		DESCRIPTION
0160		Rotor
0310		Bushing
1110		Disc
1310		Pump Casing Reinforced Ring
1610		Screw
1620		Nut
1630		Washer
1650		Pins
1670		Exagon Socket Set Screw
2010		Vaness
2410		Stator
2910		O-Ring
5520		Pump Casing Cover
5610		Rear Casing
5810		External Magnet
5820		Internal Magnet
6110		Bracket
6220		Pump Casing