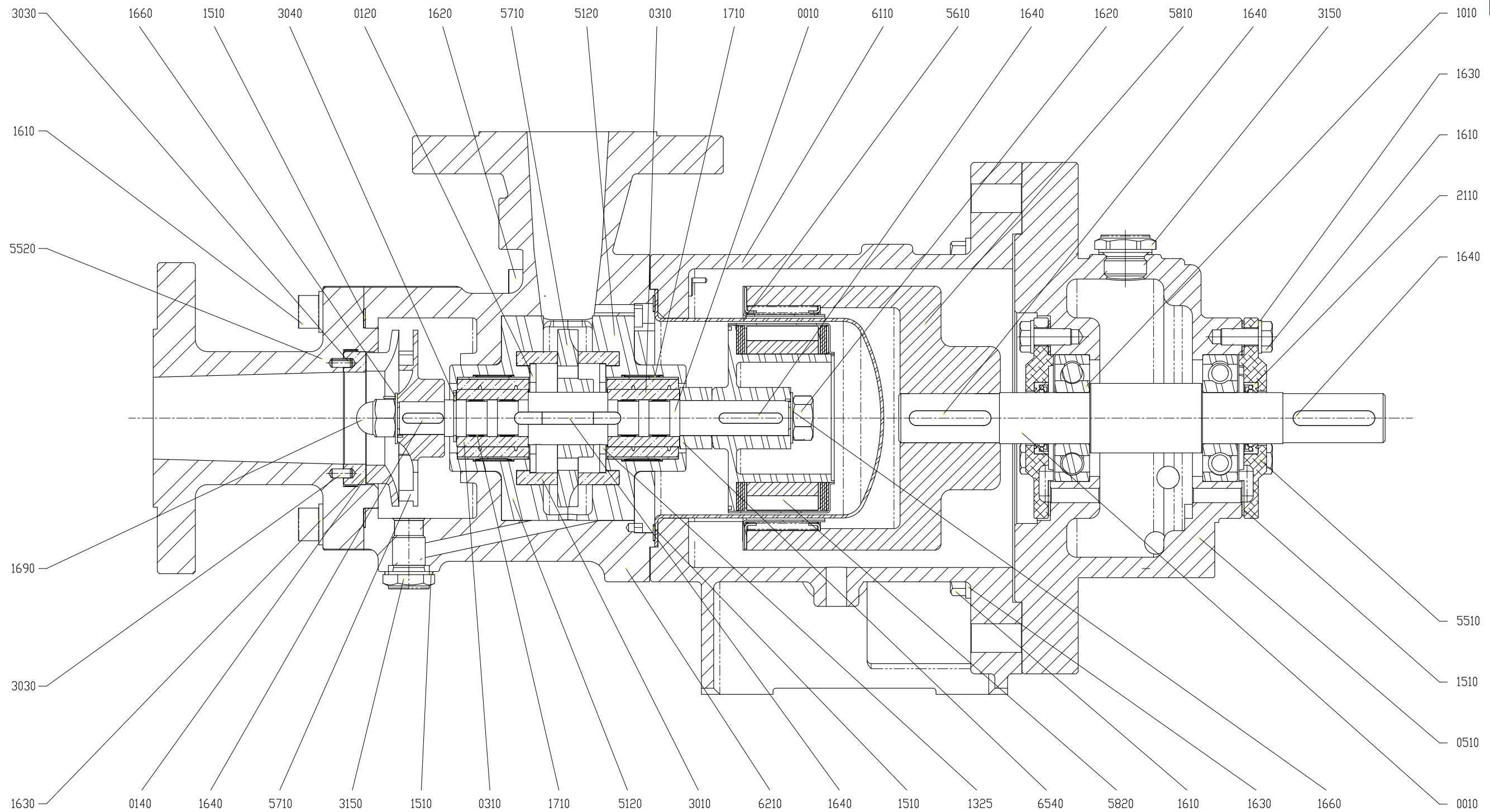


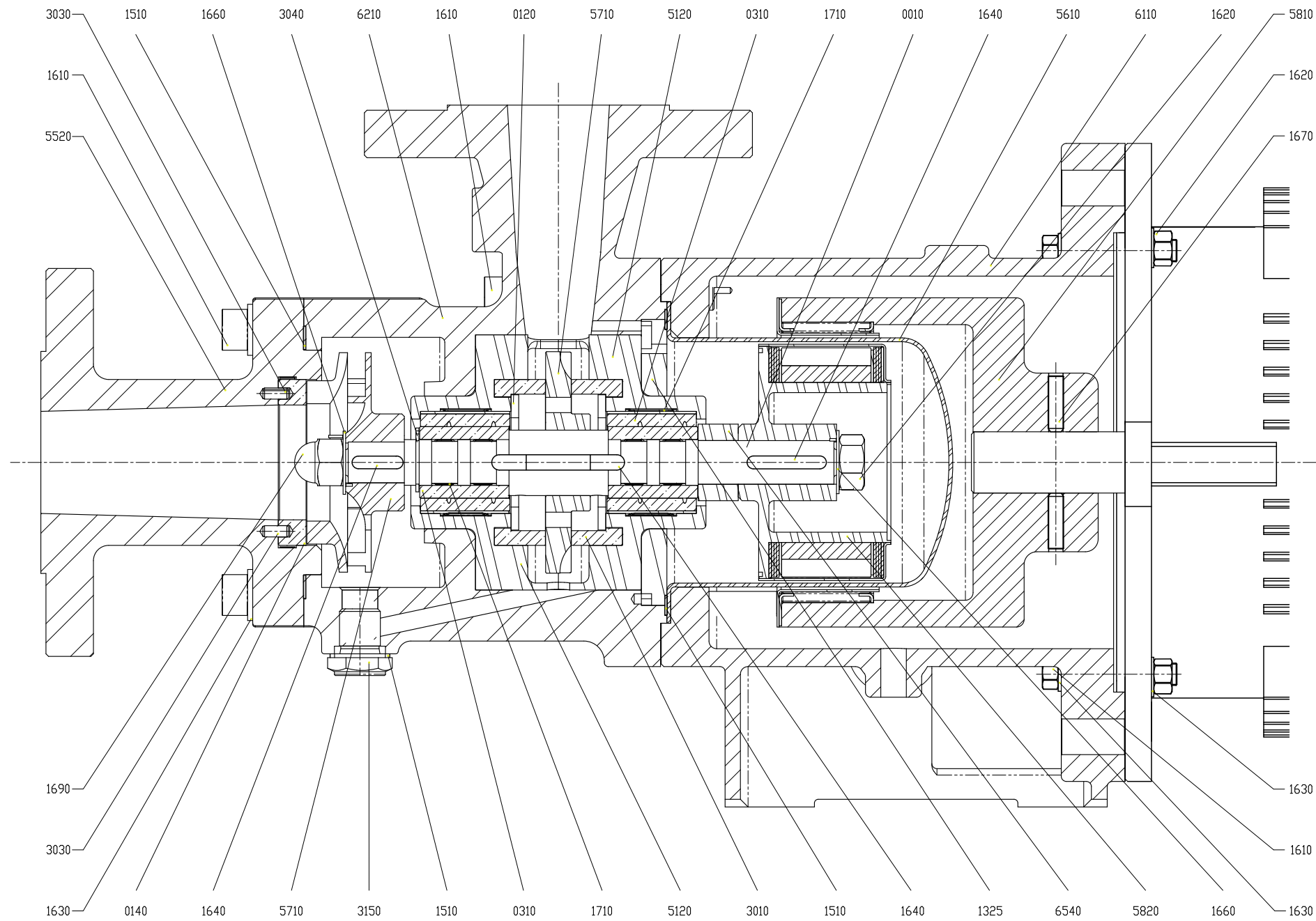
SECTION AND PART LIST / CROSS
SERIE/PUMP SERIES: CT MAG-M 5÷14 BF



N°	DESCRIPTION
0010	Shaft
0120	Lock Washer
0140	Trust Bearing
0210	Shaft Sleeve Bearing
0310	Bushing
0510	Bearing Frame
1010	Bearing
1310	Rear Casing Reinforced Ring
1325	Volute Ring Locknuts
1510	Gasket
1610	Screw
1620	Nut
1630	Washer
1640	Key
1660	Lock Washer
1670	Exagon Socket Set Srew
1690	Impeller Nut

N°	DESCRIPTION
1710	Tolerance Ring
2110	Shaft Seal
2120	Lip Seal
2910	O-Ring
3010	Volute Ring Wear Ring
3030	Spring Pin
3040	Seeger
3150	Plug
5120	Volute Ring
5510	Bearing Frame Cover
5520	Pump Casing Cover
5610	Rear Casing
5710	Impeller
5810	External Magnet
5820	Internal Magnet
6110	Bracket
6210	Pump Casing
6540	Spacer Ring Internal Magnet

SECTION AND PART LIST
SERIE/PUMP SERIES: CT MAG-M 5±14 CC



N°	DESCRIPTION
0010	Shaft
0120	Lock Washer
0140	Trust Bearing
0310	Bushing
1325	Volute Ring Locknuts
1510	Gasket
1610	Screw
1620	Nut
1630	Washer
1640	Key
1660	Security Washer
1670	Socket Screw
1690	Impeller Nut
1710	Tolerance Ring

N°	DESCRIPTION
3010	Volute Ring Wear Ring
3030	Spring Pin
3040	Seeger
3150	Plug
5120	Volute Rinf
5520	Pump Casing Cover
5610	Rear Casing
5710	Impeller
5810	External Magnet
5820	Internal Magnet
6110	Bracket
6210	Pump Casing
6540	Spacer Ring
---	---