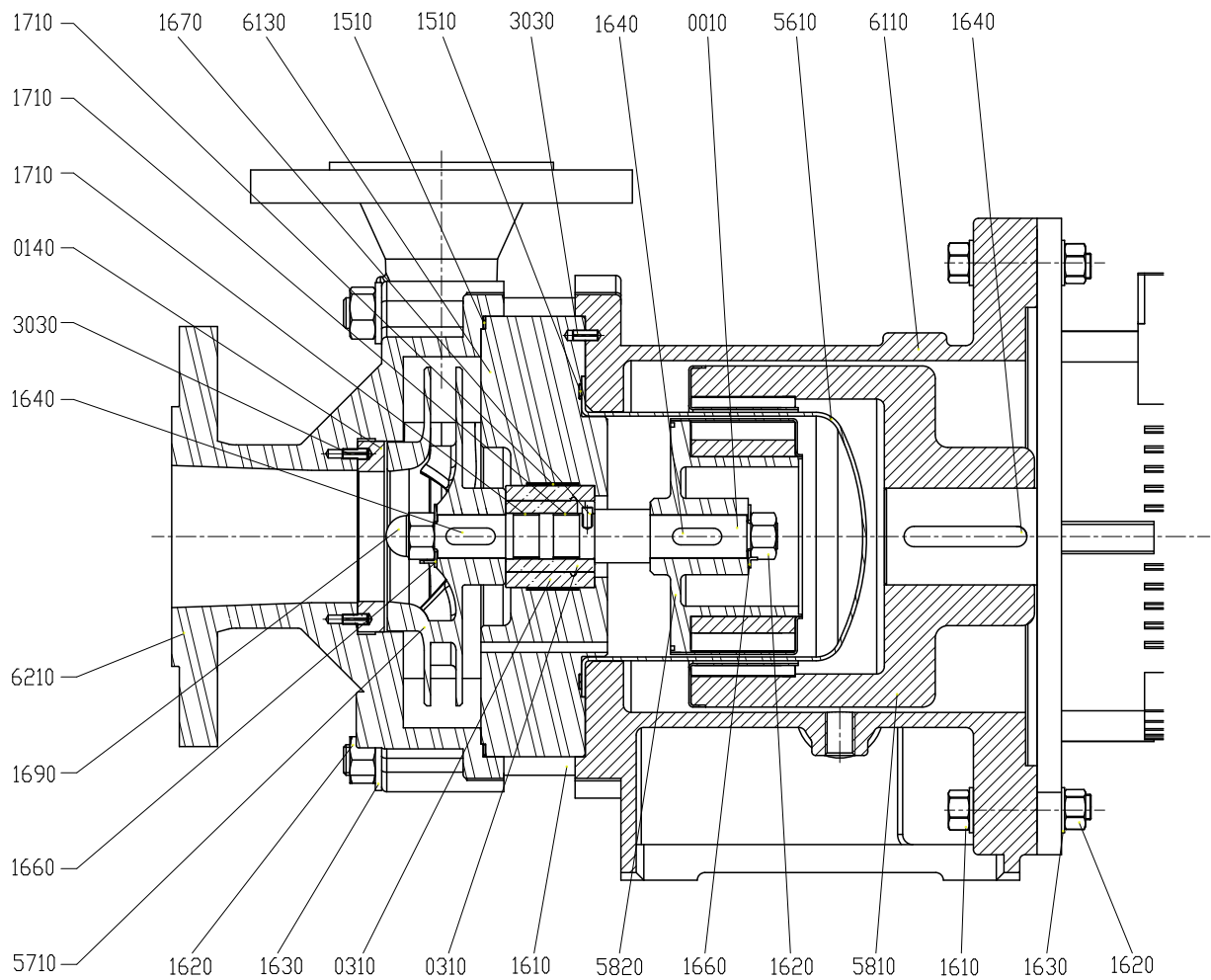
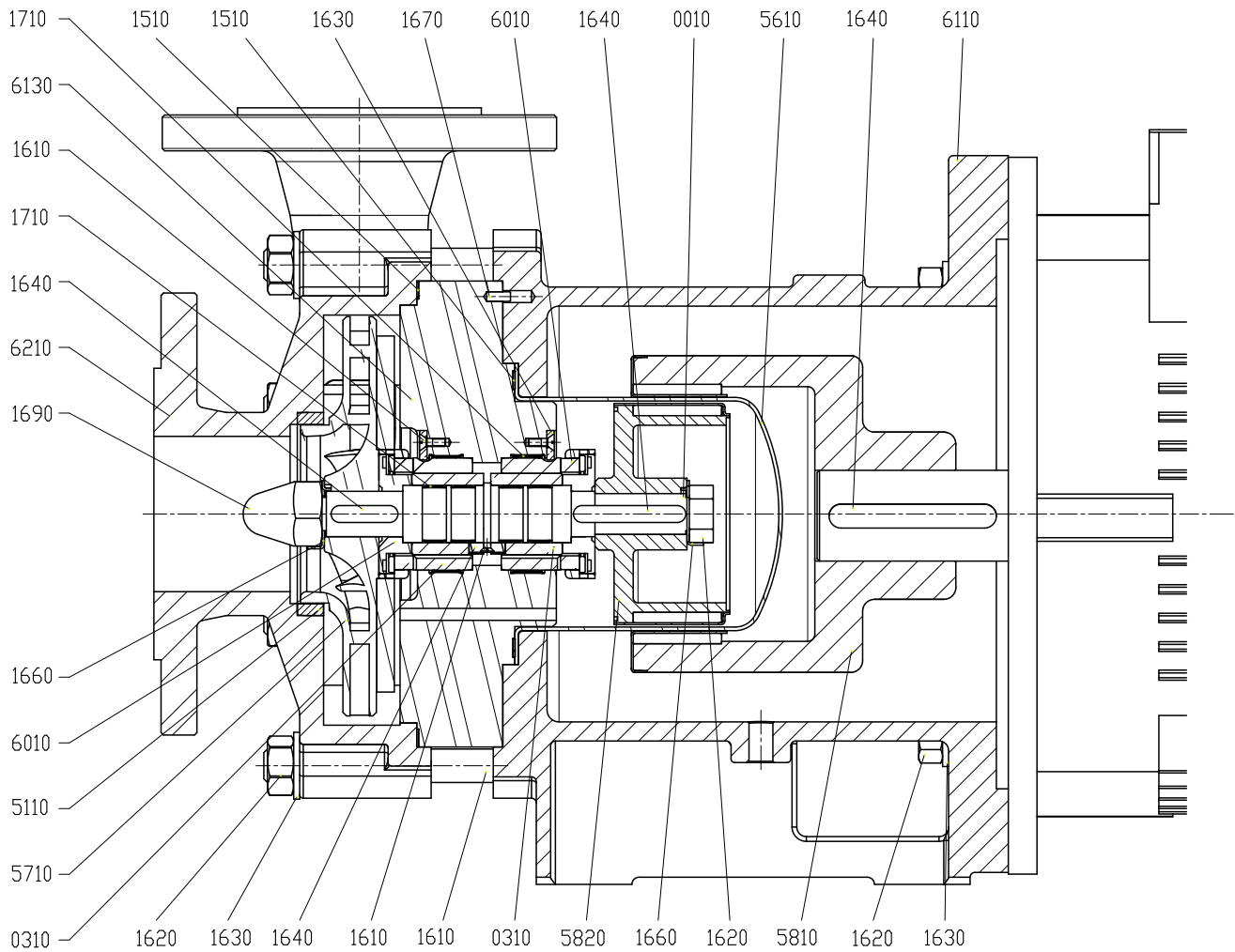


/ CROSS
SECTION AND PART LIST
 SERIE/PUMP SERIES: CM MAG-M06÷3



N°	DESCRIPTION
0010	Shaft
0140	Pump Casing Trust Bearing
0310	Bushing
1510	Gasket
1610	Screw
1620	Nut
1630	Washer
1640	Key
1660	Lock Washer
1670	Exagon Socked Set Screws
1690	Impeller Nut
1710	Tollerance Ring
3030	Spring Pins
5610	Rear Casing
5710	Impeller
5810	External Magnet
5820	Internal Magnet
6110	Bracket
6130	Bushing's Support
6210	Pump Casing

/ CROSS
SECTION AND PART LIST
 SERIE/PUMP SERIES: CM MAG-M4



N°	DESCRIPTION
0010	Shaft
0310	Bushing
1510	Gasket
1610	Screw
1620	Nut
1630	Washer
1640	Key
1660	Lock Washer
1670	Exagon Socket Set Srews
1690	Impeller Nut
1710	Tolerance Ring
5110	Pump Casing Thrust Bearing
5610	Rear Casing
5710	Impeller
5810	External Magnet
5820	Internal Magnet
6010	Thrust Bearing
6110	Bracket
6130	Bushing's Support
6210	Pump Casing