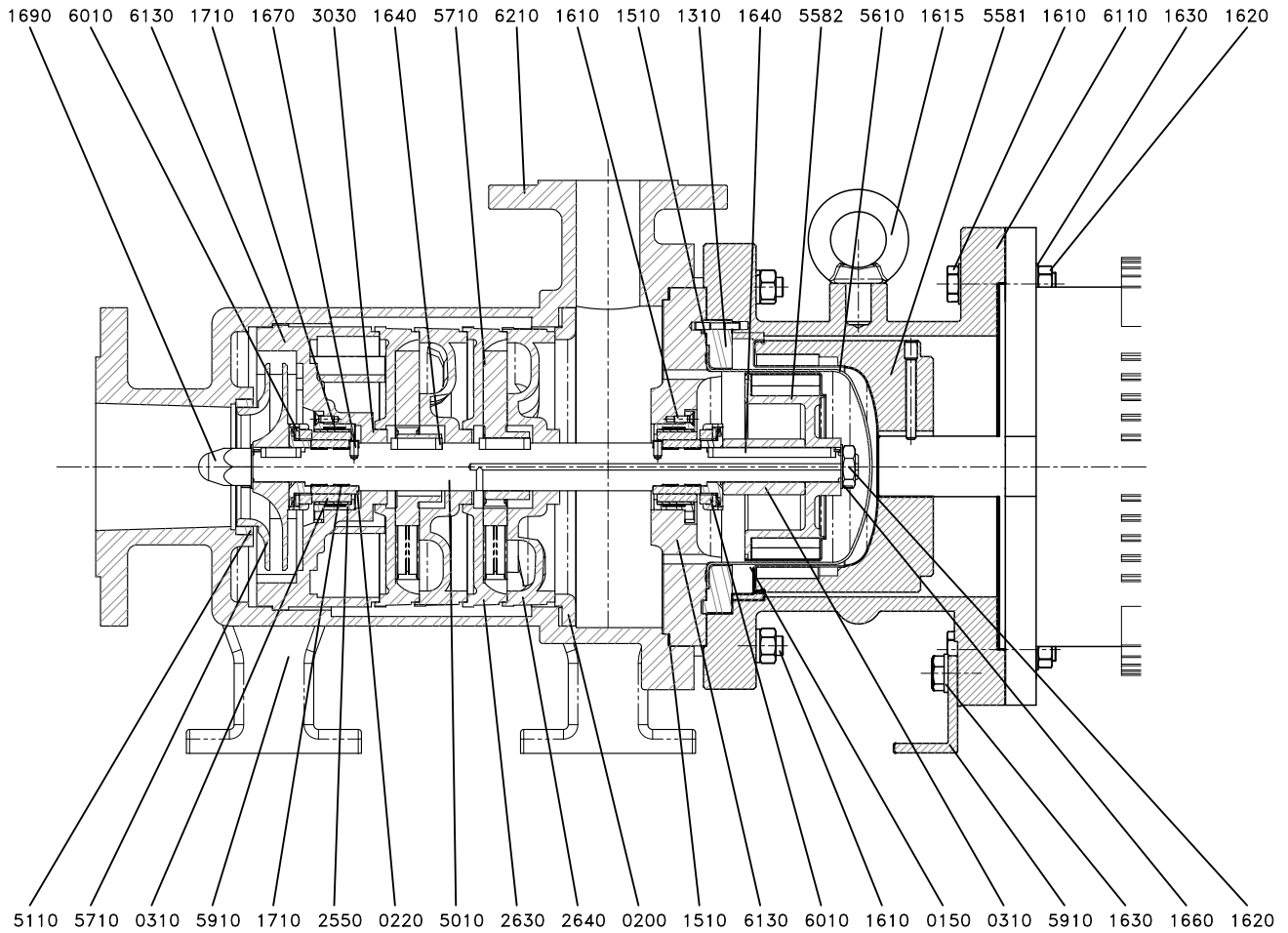
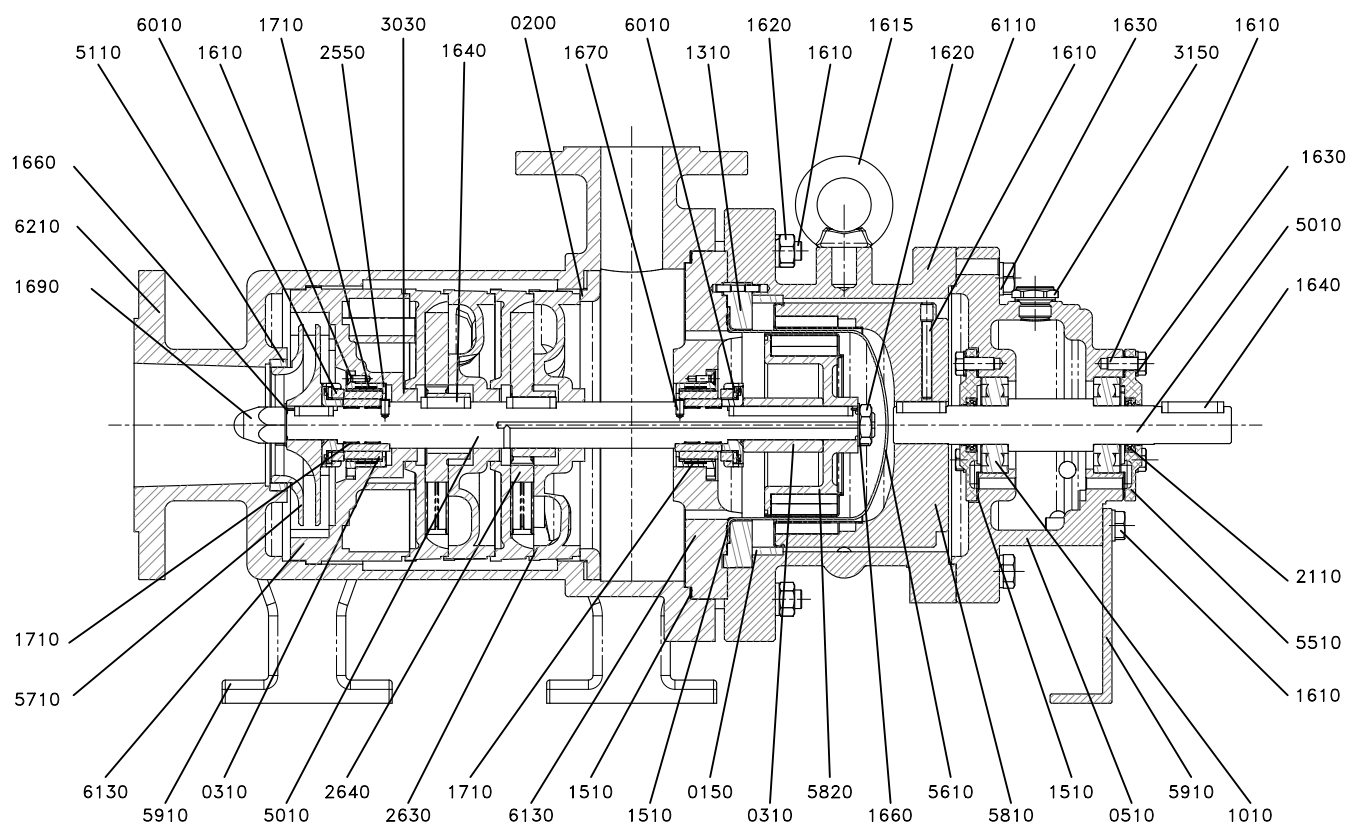


/ CROSS  
SECTION AND PART LIST  
SERIE/PUMP SERIES: SC MAG-M



N°	DESCRIPTION
0150	Rub Ring
0200	Thrust Ring Packs
0220	Shaft Sleeve
0310	Bushing
1310	Lock Ring
1510	Gasket
1610	Screw
1615	Eyebolt
1620	Nut
1630	Washer
1640	Key
1660	Security Washer
1670	Socket Screw
1690	Impeller Nut
1710	Tolerance Ring
2550	Bushing Support
2630	Suction Element
2640	Pressing Element
3030	Spring Pin
5010	Shaft
5110	Wear Ring
5610	Rear Casing
5710	Impeller
5810	External Magnet
5820	Internal Magnet
5910	Foot
6010	Thrust Bearing
6110	Bracket
6130	Shaft Support
6210	Pump Casing

**CROSS  
SECTION AND PART LIST  
SERIE/PUMP SERIES: SC MAG-M**



N°	DESCRIPTION
0150	Rub Ring
0200	Thrust Ring Packs
0220	Shaft Sleeve
0310	Bushing
0510	Bearing Frame
1010	Bearing
1310	Lock Ring
1510	Gasket
1610	Screw
1615	Eyebolt
1620	Nut
1630	Washer
1640	Key
1660	Security Washer
1670	Socket Screw
1690	Impeller Nut
1710	Tolerance Ring
2110	Shaft Seal
2550	Bushing Support
2630	Suction Element
2640	Pressing Element
3030	Spring Pin
3150	Plug
5010	Shaft
5110	Wear Ring
5510	Bearing Frame Cover
5610	Rear Casing
5710	Impeller
5810	External Magnet
5820	Internal Magnet
5910	Foot
6010	Thrust Bearing
6110	Bracket
6130	Shaft Support
6210	Pump Casing