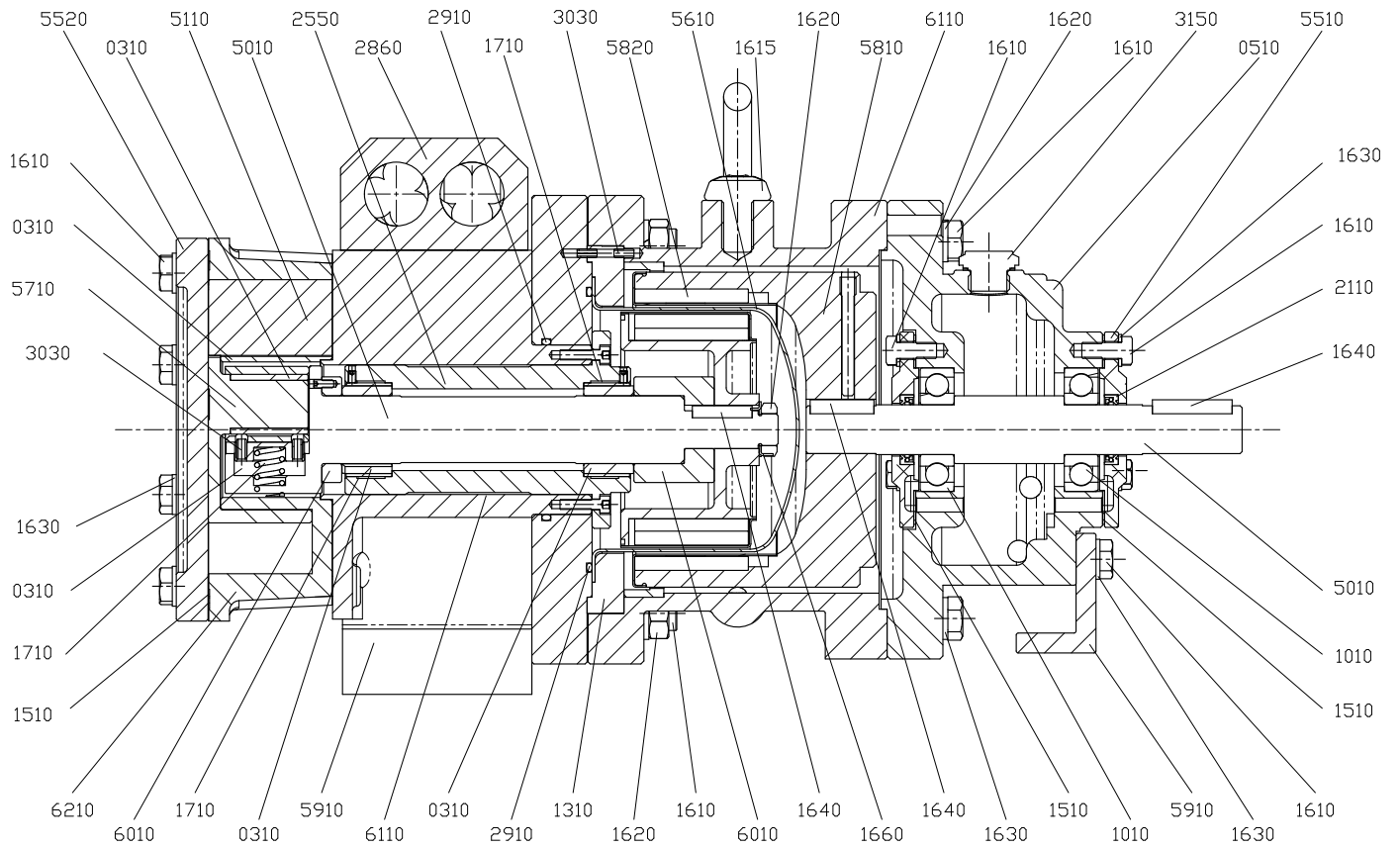


CROSS
SECTION AND PART LIST
 SERIE/PUMP SERIES: MHV MAG-M



N°	DESCRIPTION
0310	Bushing
0510	Bearing Frame
1010	Bearing
1310	Lock Ring
1510	Gasket
1610	Screw
1615	Eyebolt
1620	Nut
1630	Washer
1640	Key
1660	Security Washer
1710	Tolerance Ring / Spring
2110	Shaft Seal
2550	Bushing support
2860	By pass valve (OPTIONAL)
2910	O-ring
3030	Spring Pin
3150	Plug
5010	Shaft
5110	Diaphragm
5510	Bearing Frame Cover
5520	Pump support cover
5610	Rear Casing
5710	Impeller
5810	External Magnet
5820	Internal Magnet
5910	Foot
6010	Thrust Bearing
6110	Bracket / Base
6210	Pump Casing