

Gear Pump - F, FM, FT Series

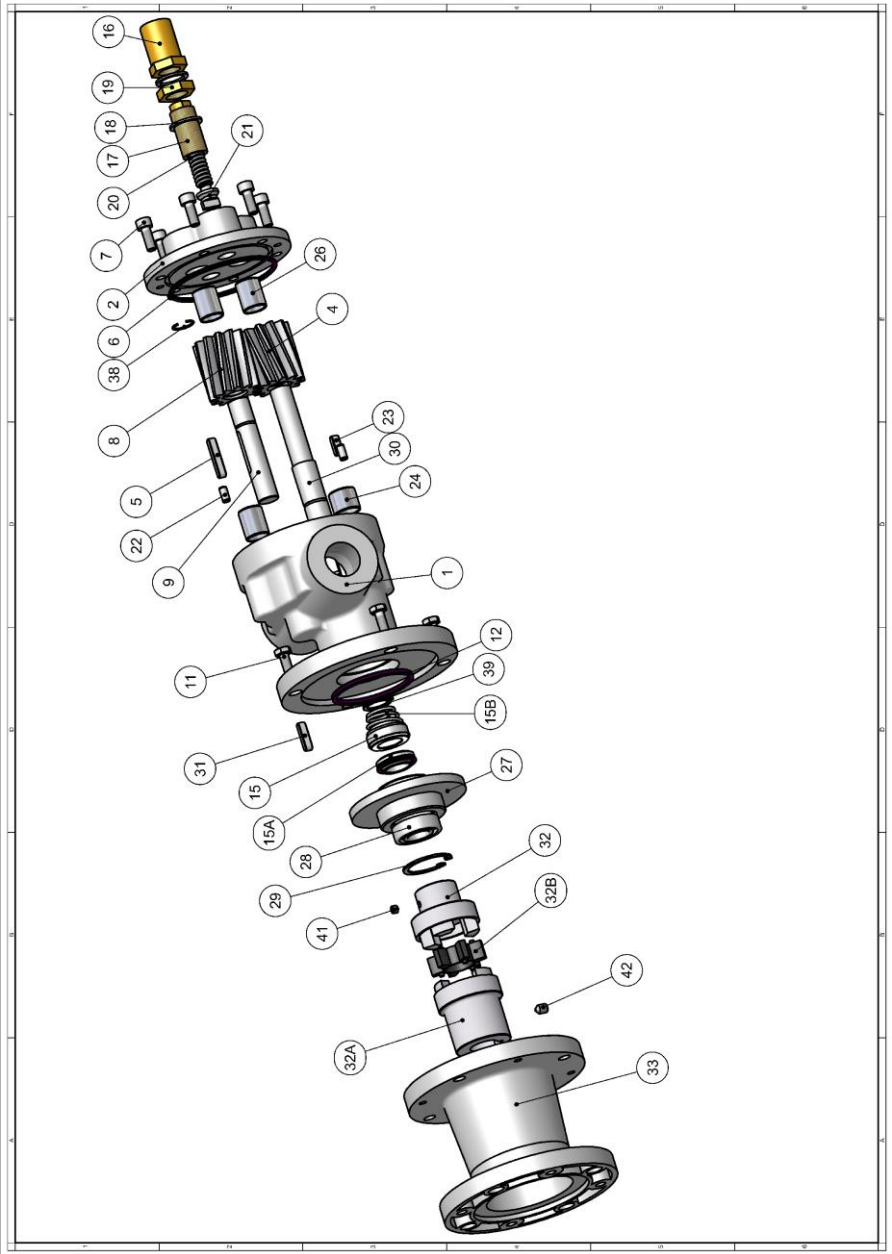


Figure 1

Parts list		
ITEM	Q.TY	DESCRIPTION
①	1	Main body
②	1	Back cover
④	1	Driving gear
⑤	1	Driven gear feather key
⑥	1	O-Ring
⑦	6	Socket screw
⑧	1	Driven gear
⑨	1	Driven shaft
⑪	4	Hexagonal head screw
⑫	1	O-Ring
⑮	1	Rotating ring (mech. seal)
⑯	1	Cap
⑰	1	Regulating screw
⑱	2	Washer
⑲	1	Nut
⑳	1	Valve spring
㉑	1	Valve shutter
㉒	2	Dowel pin
㉓	1	Driving gear feather key
㉔	1	Bush
㉖	3	Bush
㉗	1	Seal cover
㉘	1	Ball bearing
㉙	1	External retaining grid
㉚	1	Driving shaft
㉛	1	Feather key
㉜	1	Coupling (pump side)
㉝	1	Strainer
㉞	1	Spring clip
㉟	1	Internal retaining ring
㊱	1	Grub screw
㊲	1	Grub screw
⑮A	1	Stationary ring (mech. seal)
⑮B	1	Spring (mech. seal)
⑳A	1	Coupling (motor side)
⑳B	1	Spacer

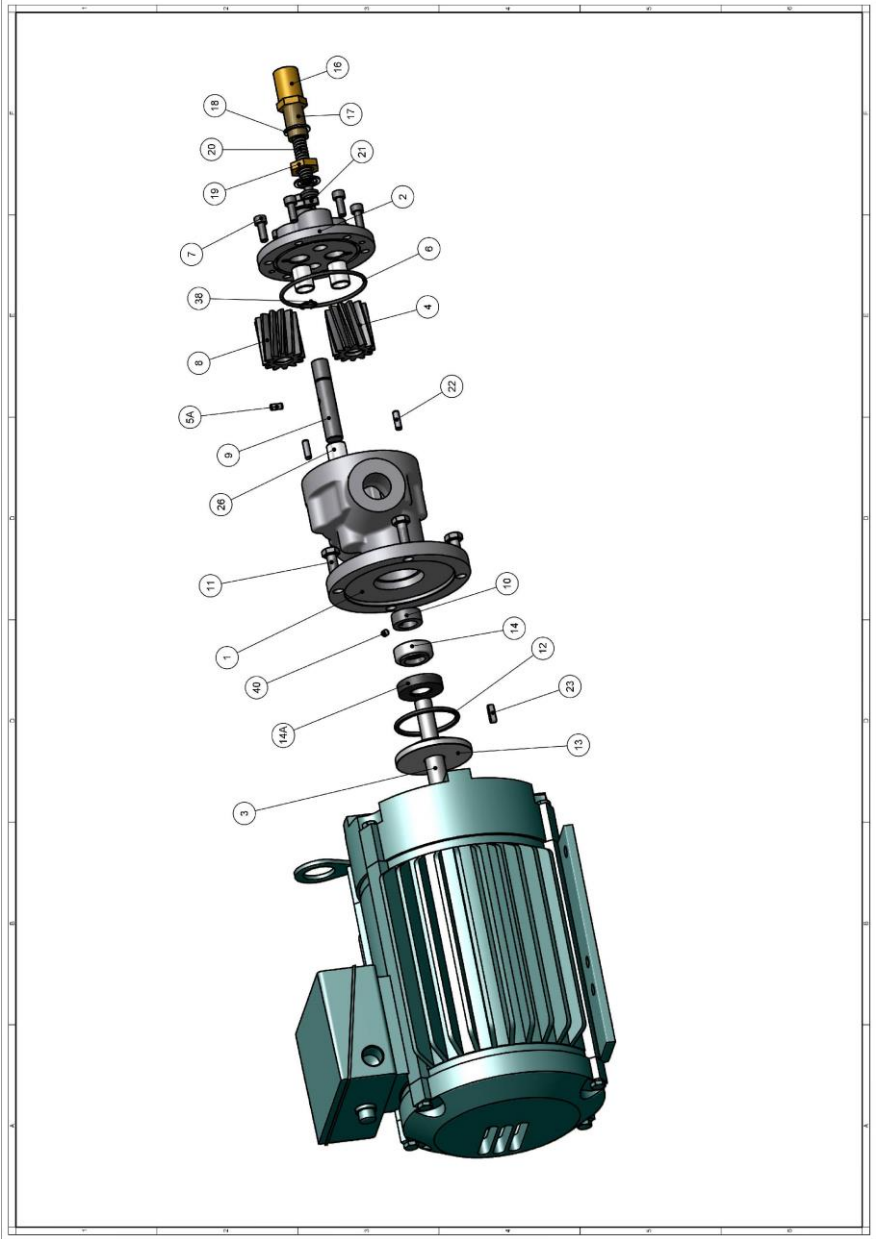


Figure 2

Parts list		
ITEM	Q.TY	DESCRIPTION
①	1	Main body
②	1	Back cover
③	1	Motor driving shaft
④	1	Driving gear
⑥	1	O-Ring
⑦	6	Socket screw
⑧	1	Driven gear
⑨	1	Driven shaft
⑩	1	Ring
⑪	4	Hexagonal head screw
⑫	1	O-ring
⑬	1	Seal cover
⑭	1	Rotating ring (mech. seal)
⑯	1	Cap
⑰	1	Regulating screw
⑱	2	Washer
⑲	1	Nut
⑳	1	Valve spring
㉑	1	Valve shutter
㉒	2	Pin
㉓	1	Driving gear feather key
㉔	3	Bush
㉕	1	Spring clip
④①	1	Grub screw
⑤A	1	Dowel pin
⑭A	1	Stationary ring (mech. seal)