

BEDU
≡ POMPEN ≡

GEAR Pumps

Range "MX"

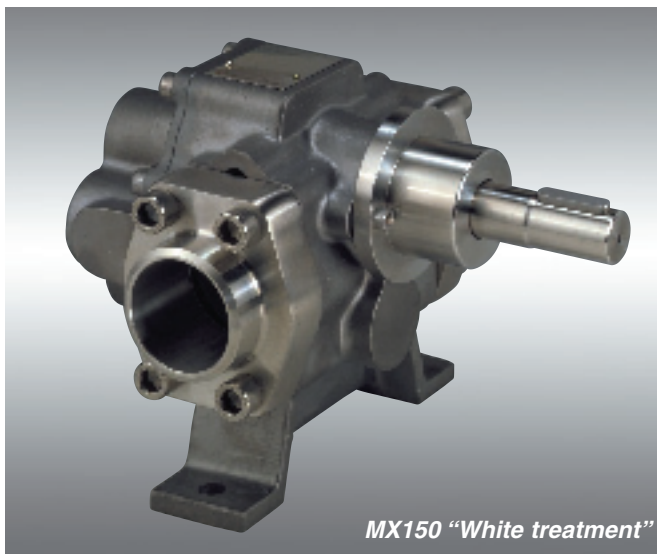


made for your process

Gear pumps range “MX”

Introduction

Bedu Pompen has designed this new range of gear pumps, achieved through precision investment casting with the intent to obtain high quality pump bodies free



MX150 “White treatment”

of cracks and/or casting defects together with a perfect surface finishing which is impossible to obtain with the traditional sand casting.

*This range construction is conformed to the standards **CE 89/392, 91/368, 93/44/68, 98/37 – UNI EN ISO 14847, 809 – API 676** – on request, **NACE MR 0175** and **ATEX**.*

*The quality system operated by Bedu Pompen is according to the standards **UNI EN ISO 9001:2000** (Certificate n. **SQU132AQ252**).*

The MX series is used in various sectors in liquid transfer with viscosity from 1 to 100.000 cps. In the case of average/high viscosity products, it can be used for dosage with the use of frequency converters or variable speed motors, electrically controlled with 4-20mA signal or pneumatically controlled with 3-15 psi signal.

Main applications

Chemical plants: transfer and dosage of every type of liquid completely free of solid suspension.

Food plants : transfer of liquid in the first transformation processes - pumping of chocolate (for this purpose a special series with pre-heating chamber has been designed with an extremely wide surface which favours the thermal exchange between the water at 55°C and the hydraulic chamber) - fats, marmalade etc.

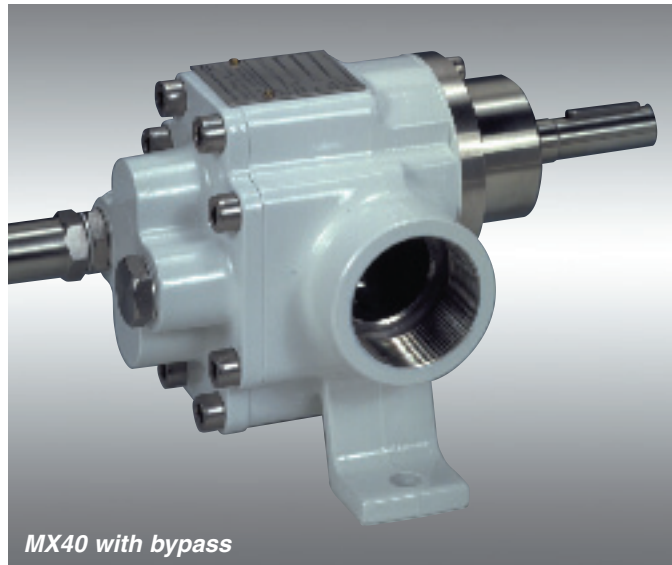
Agricultural plants : pumping of molasses and other liquid products for animal food.

Industrial plants : pumping of glue, resins, bases, acids, isocyanate, polyhydric alcohols etc.

Constructional characteristics

The standard version of the MX series is made of AISI 316 stainless steel with a anti-wear and anti-seizure heat treatment which turn the pump components black (“black treatment”). It is possible to use a thermal treatment on request for the food field which does not alter the natural steel colour of the pump components (“white treatment”).

*For extra heavy duty working conditions the pump can be equipped with gears and/or shafts that have been “HH” treated (High Hardness). This modern type of thermal treatment increases the resistance to wear of the gears considerably and confers major protection from corrosion caused by chemical agents, an extremely low friction factor and a very high wear resistance to the treated parts. It also enables the achievement of **surface hardness of 4000 Vickers**. This treatment is also used by one of the most important Formula 1*



MX40 with bypass

racing car teams on parts of the engine most subject to wear.

For special application it has been developed a **new type of gears in plastic material** called "KK". These special plastic gears have higher chemical and mechanical properties if compared with traded standard plastic materials.

On request versions manufactured in AISI 316L stainless steel, Hastelloy, Inconel, Monel etc. are available.

The seals can be made with packings (design temperature 300°C) or single or double mechanical seals (design temperature 200°C) in various materials selected depending on the physical-chemistry characteristics of the liquid pumped. The standard one is in ceramic/graphite/viton.

For all the models it is possible to install **magnetic coupling**. Gear pumps magnetic coupled are specially suitable for application with corrosive, toxic and polluted medium. Magnetic coupling ensures the absence of leakage and solves all pumping problems in plants where it is a must the safety and the **absolute absence of liquid losses**.

The main operating benefits of magnetic coupling are:

The main operating benefits of magnetic coupling are:

High efficiency and low power losses

No leakage into the ambient

Expensive control systems not required

Low maintenance costs

Easy assembling and low number of spare parts

Max pressure control

Cost reduction if compared to double mechanical seals fluxed

The standard manufacturing for magnetic coupling are:



MX150 with heating chamber for chocolate

stainless steel AISI 316 (DIN 1.4571) for internal rotor, steel (ST 37) for external rotor. On request it is possible to manufacture rotors in Hastelloy (C or D) or Titanium. Magnetic coupling range temperature is $-40^{\circ}\text{C} / +350^{\circ}\text{C}$ and the maximum allowable torque is 2000 Nm.

The supporting bushes are made in reinforced PTFE, graphite or sintered self-lubricating materials.

On request, if application requires a particular surface finish, both pump both stainless steel base plate can be supplied polished

The MX5 models through to the MX70 models are made with BSP connections. The MX100 series and MX150 series are made with welded counter-flange . All types can be equipped with ANSI or DIN flanges. On request the pumps can be supplied with built-in safety valve and pre-heating chambers.

The pumps belonging to this series can be supplied singularly or with motor, gear reduction unit and converter connected and aligned on a support, all built in compliance with the EC standards.

The pump coding is the same as for the other gear pumps of our production.

Ex.: 00MX150/YXBTOPF

OOMX150 = AISI 316 pump with capacity of 150 L/min. (at 1450 rpm.)

Y = mechanical seal in Widia/Widia/Viton.

X = AISI 316 built-in safety valve

B = Gears and shafts in AISI 316 «white treatment»

T = Supporting bushings in PTFE

O = No special treatment

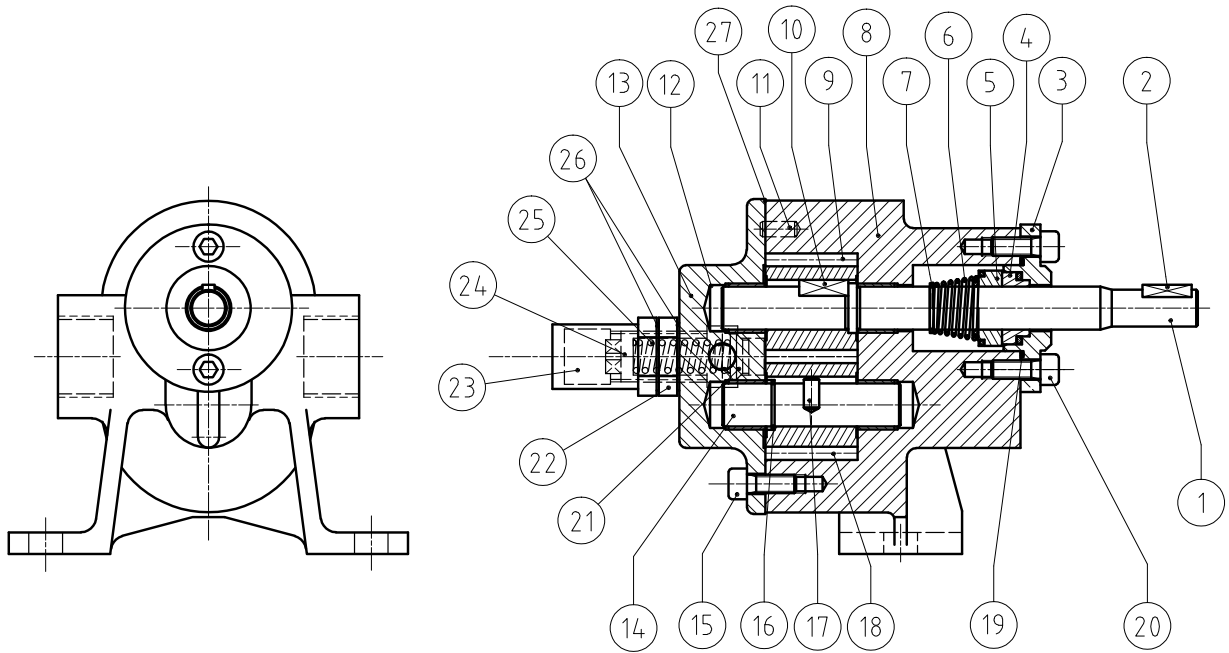
P = Pump with pre-heating chamber

F = ANSI flanges.

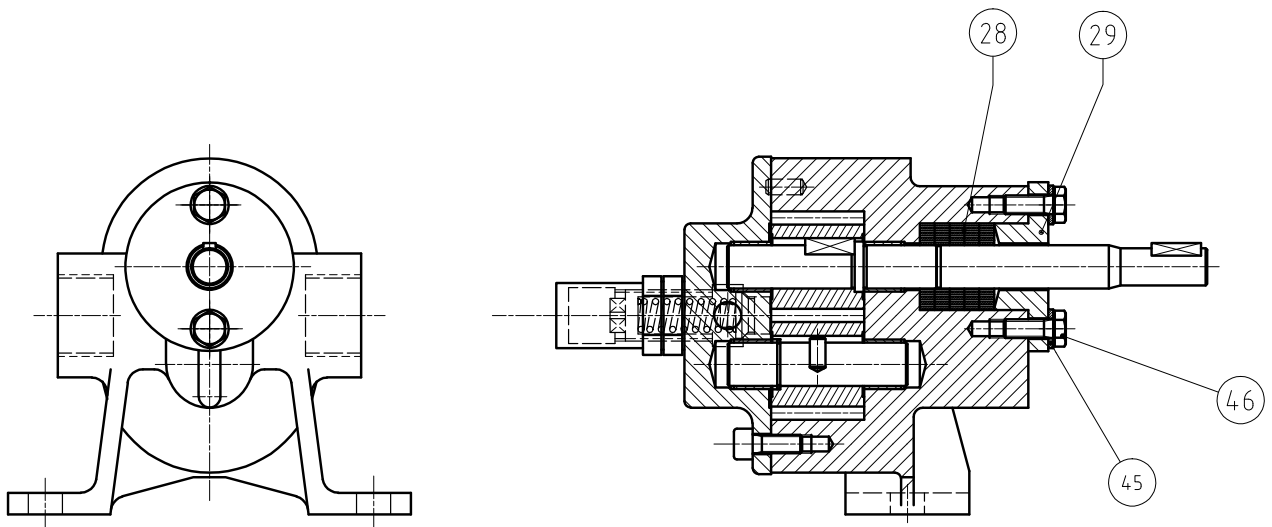
TECHNICAL CHARACTERISTICS PUMPS RANGE MX

Type	Capacity (L/min.)	Connections	R.P.M.	kW Absorbed		Weight (Kg.)
				5 bar	10 bar	
MX 5	5	G 3/4"	1.450	0.19	0.24	3.0
MX 10	10	G 3/4"	1.450	0.24	0.33	3.3
MX 15	15	G 3/4"	1.450	0.30	0.42	3.8
MX 25	25	G 3/4"	1.450	0.42	0.60	4.0
MX 40	40	G 1 1/2"	1.450	0.70	1.10	6.5
MX 50	50	G 1 1/2"	1.450	0.90	1.30	6.8
MX 70	70	G 1 1/2"	1.450	1.15	1.70	7.0
MX 100	100	G 2"	1.450	1.90	2.70	15.0
MX 150	150	G 2"	1.450	2.60	4.00	16.0

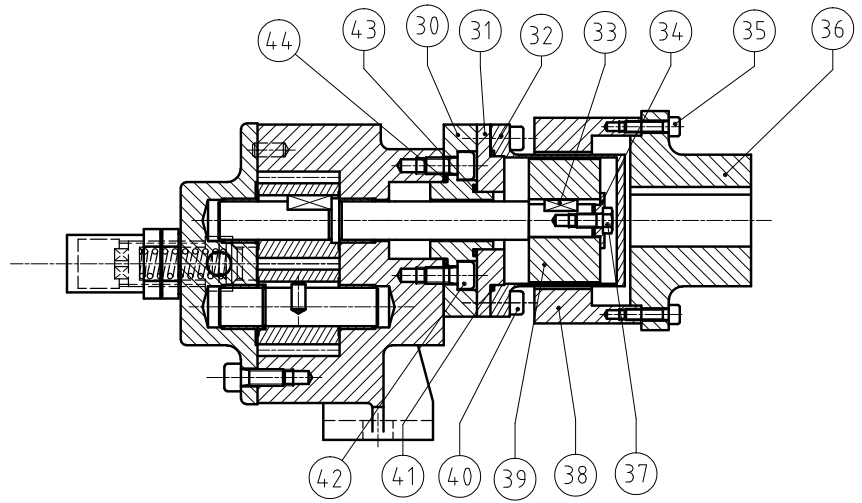
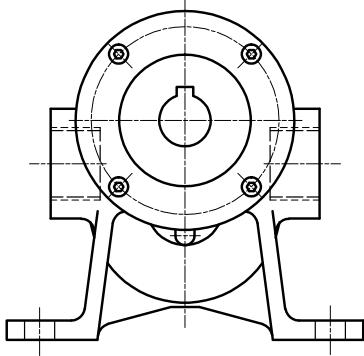
GEAR PUMP TYPE MX WITH MECHANICAL SEAL



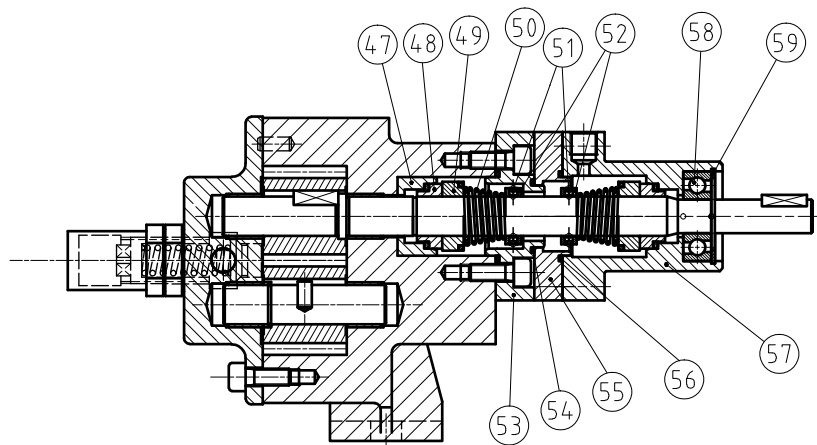
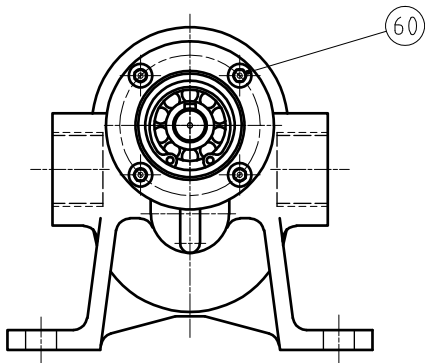
GEAR PUMP TYPE MX WITH PACKING



GEAR PUMP TYPE MX WITH MAGNETIC COUPLING



GEAR PUMP TYPE MX WITH DOUBLE MECHANICAL SEAL



GEAR PUMPS TYPE MX - Parts List

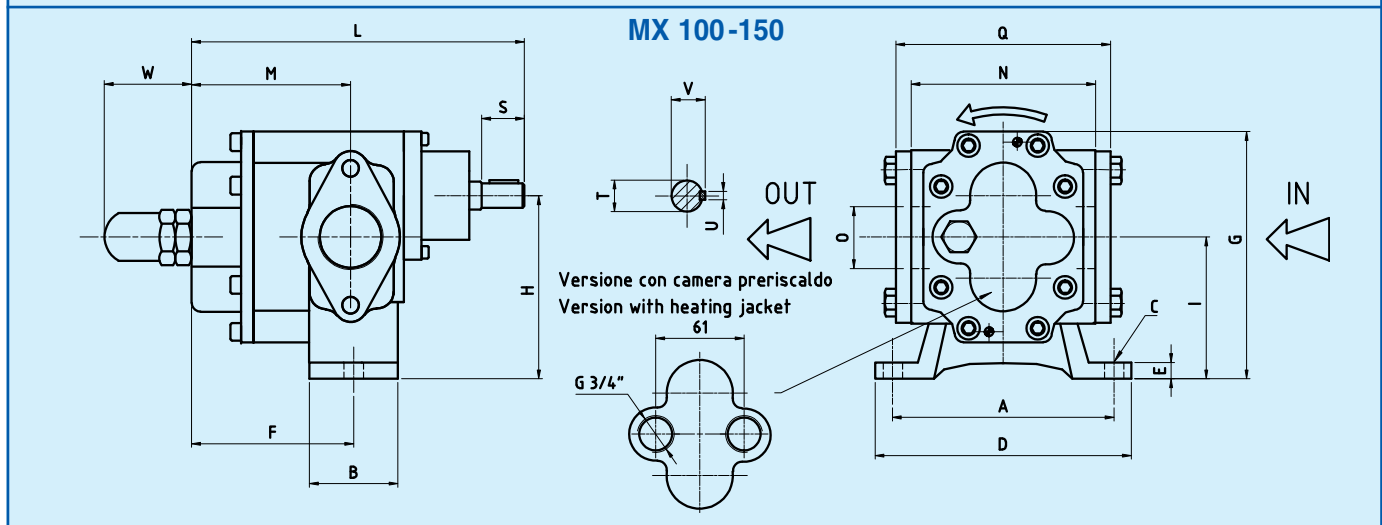
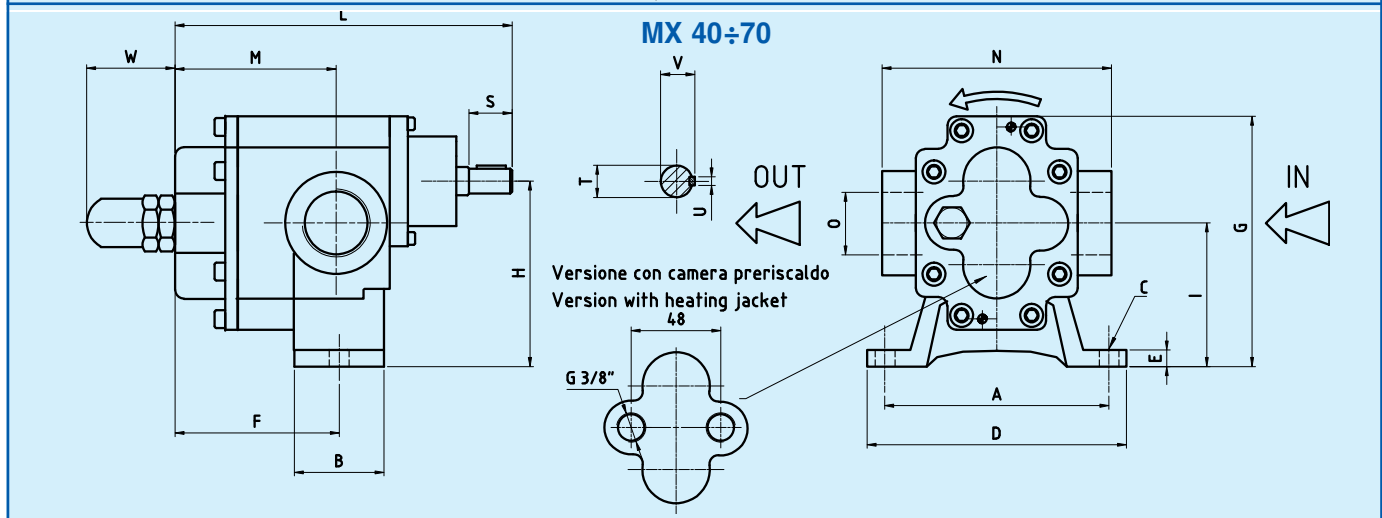
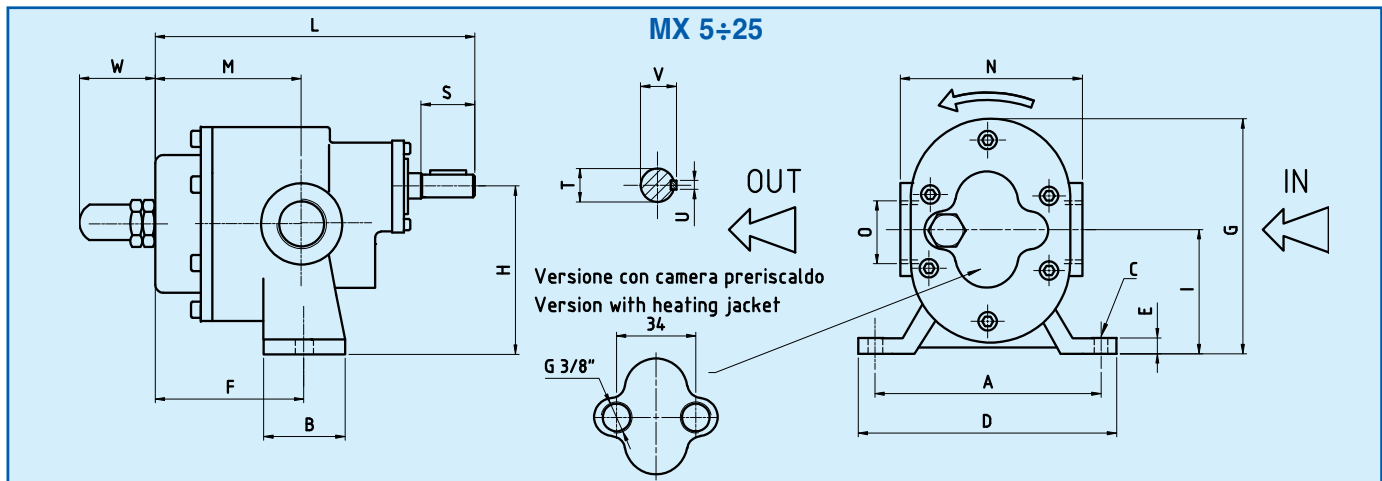
Item	Description	Material
1	Driving shaft	AISI 316L
2	Feather key	AISI 316
3	Seal cover	AISI 316L
4	Mechanical seal (fixed ring)	Carbon Graphite
5	Mechanical seal (rotating ring)	Ceramic
6	Spring	AISI 316Ti
7	External retaining ring	AISI 304
8	Central body	AISI 316
9	Driving gear	AISI 316L
10	Feather key	AISI 316
11	Dowel pin	AISI 316
12	Supporting bush	P.T.F.E.
13	Back cover	AISI 316
14	Driven gear	AISI 316L
15	Socket screw	AISI 316
16	Spring clip *	AISI 316
17	Pin **	AISI 316
18	Driven gear	AISI 316L
19	O-ring	FPM
20	Socket screw	AISI 316
21	Shutter	AISI 316
22	Nut	AISI 316
23	Security cap	AISI 316
24	Regulating screw	AISI 316
25	Valve spring	AISI 302
26	Gasket	P.T.F.E.
27	Gasket	P.T.F.E.
28	Packing	P.T.F.E.
29	Stuffing box	AISI 316L
30	Centering ring	AISI 316L
31	Centering ring	AISI 316L
32	Magnetic coupling cover	DIN 1.4571 (AISI 316Ti)
33	Feather key	AISI 316
34	Washer	AISI 316
35	Hexagonal-head screw	Carbon steel
36	Coupling	Carbon steel
37	Hexagonal-head screw	AISI 316
38	Outer magnet	St-37 DIN 17100
39	Inner magnet	DIN 1.4571 (AISI 316Ti)
40	Socket screw	AISI 316
41	O-ring	FPM
42	Socket screw	AISI 316
43	O-ring	FPM
44	O-ring	FPM
45	Washer	AISI 316
46	Hexagonal-head screw	AISI 316
47	Mechanical seal seat	AISI 316L
48	Mechanical seal (fixed ring)	Carbon Graphite
49	Mechanical seal (rotating ring)	Ceramic
50	Spring	AISI 316Ti
51	Grub screw	AISI 316
52	Ring	AISI 316L
53	Centering ring	AISI 316L
54	O-ring	FPM
55	Intermediate ring	AISI 316L
56	O-ring	FPM
57	External seal cover	AISI 316L
58	Radial ball bearing	AISI 440
59	External retaining ring	AISI 304
60	Socket screw	AISI 316

* Only for MX5 - MX25

** Feather key for MX40 - MX150



MX pumps in a chemical plant

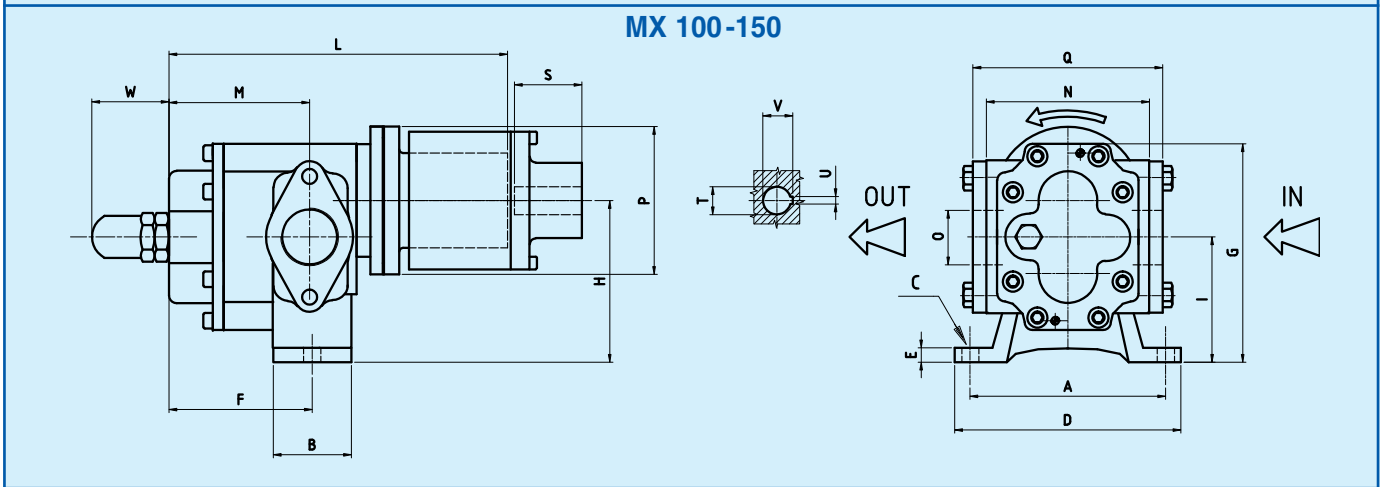
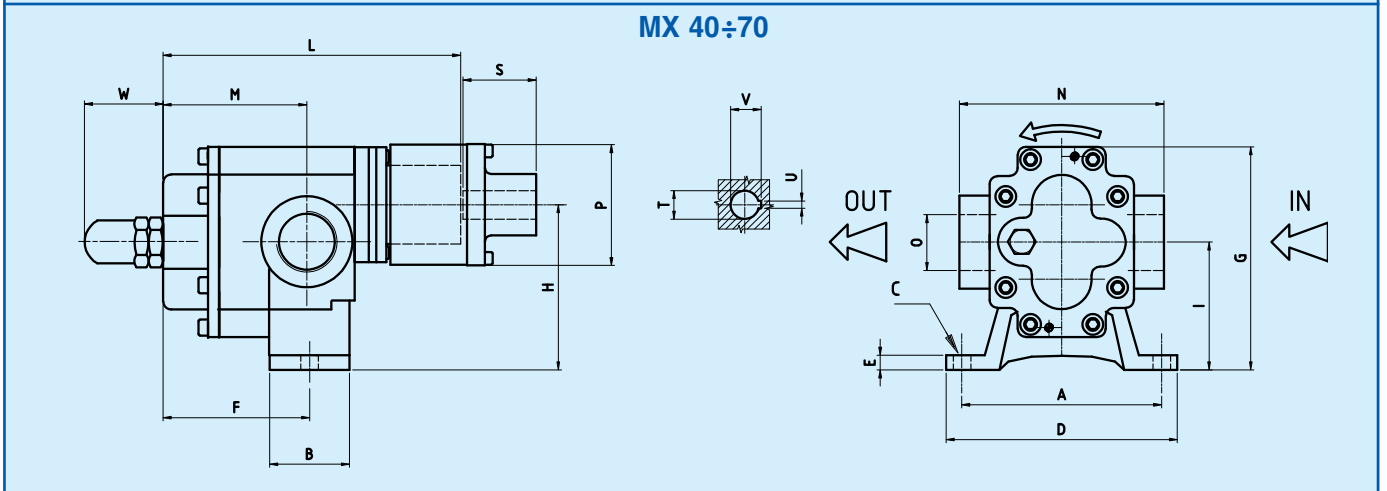
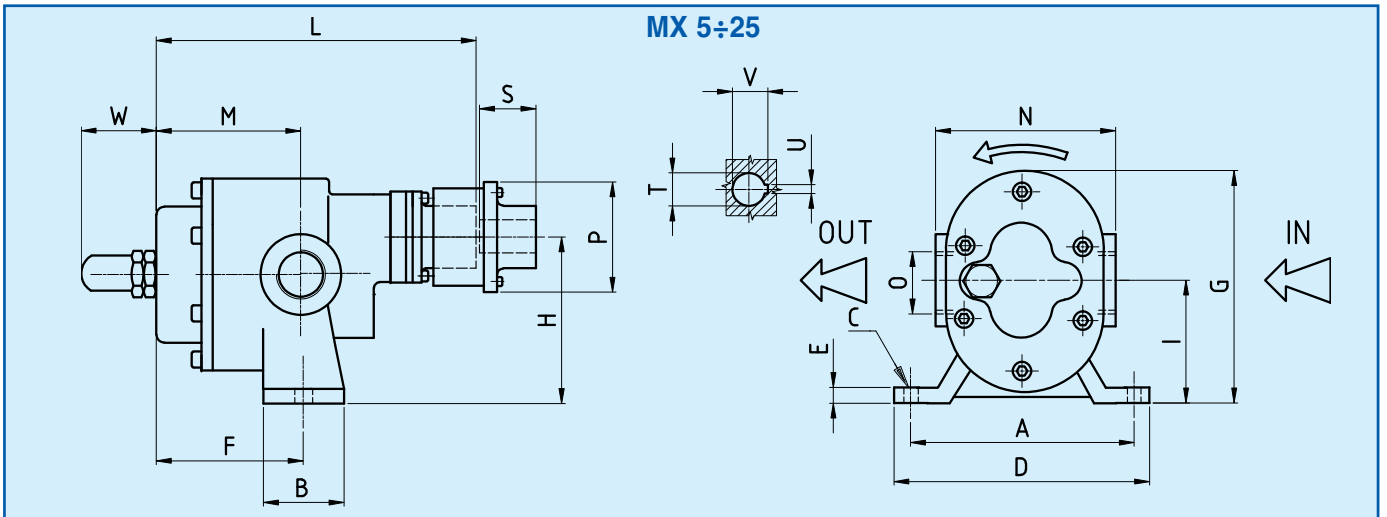


GEAR PUMP TYPE MX WITH MECHANICAL SEAL OR PACKING

Type	Dimensions * (mm)																			
	A	B	C	D	E	F	G	H	I	L	M	N	O	Q**	S	T	U	V	W	
MX5	106	40	11	130	7	52	115	80	64	149	52	98	G 3/4"	28	12	4	13,5	47	
MX10	106	40	11	130	7	62	115	80	64	159	62	98	G 3/4"	28	12	4	13,5	47	
MX15	106	40	11	130	7	72	115	80	64	169	72	98	G 3/4"	28	12	4	13,5	47	
MX25	106	40	11	130	7	82	115	80	64	179	82	98	G 3/4"	28	12	4	13,5	47	
MX40	125	40	11	145	8	70	136	100	76,5	193	70	138	G 1 1/2"	40	14	5	16	47	
MX50	125	40	11	145	8	80	136	100	76,5	203	80	138	G 1 1/2"	40	14	5	16	47	
MX70	125	40	11	145	8	90	136	100	76,5	213	90	138	G 1 1/2"	40	14	5	16	47	
MX100	162	50	13	190	10	101	180	132	101	259	101	120	G 2"	160	50	24	8	27	54	
MX150	162	50	13	190	10	121	180	132	101	279	121	120	G 2"	160	50	24	8	27	54	

* - Dimensions are not binding

** - With standard counterflange

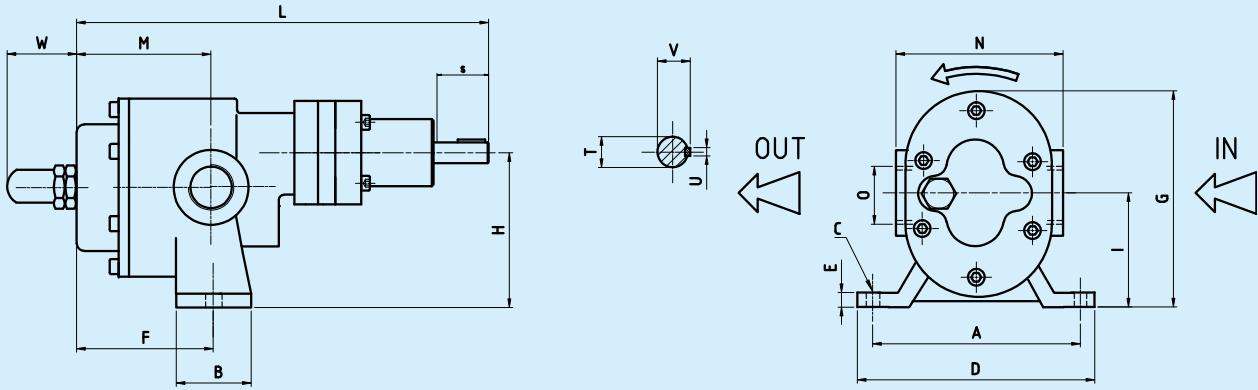


GEAR PUMPS TYPE MX WITH MAGNETIC COUPLING

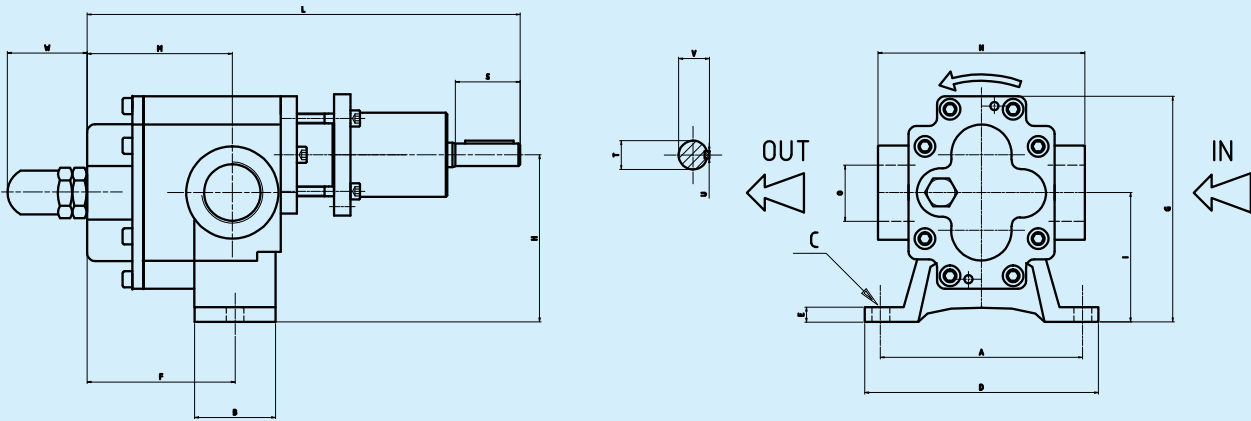
Type	Dimensions * (mm)																			
	A	B	C	D	E	F	G	H	I	L	M	N	O	P	Q***	S**	T**	U**	V**	W
MX5	106	40	11	130	7	52	115	80	64	142	52	98	G 3/4"	80	39/54	14/28	16,3/31,3	5/8	47
MX10	106	40	11	130	7	62	115	80	64	152	62	98	G 3/4"	80	39/54	14/28	16,3/31,3	5/8	47
MX15	106	40	11	130	7	72	115	80	64	162	72	98	G 3/4"	80	39/54	14/28	16,3/31,3	5/8	47
MX25	106	40	11	130	7	82	115	80	64	172	82	98	G 3/4"	80	39/54	14/28	16,3/31,3	5/8	47
MX40	125	40	11	145	8	70	136	100	76,5	180	70	138	G 1 1/2"	94	41/61	19/28	21,8/31,3	6/8	47
MX50	125	40	11	145	8	80	136	100	76,5	190	80	138	G 1 1/2"	94	41/61	19/28	21,8/31,3	6/8	47
MX70	125	40	11	145	8	90	136	100	76,5	200	90	138	G 1 1/2"	94	41/61	19/28	21,8/31,3	6/8	47
MX100	162	50	13	190	10	101	180	132	101	269	101	120	G 2"	112	160	60/110	28/42	31,3/45,3	8/12	54
MX150	162	50	13	190	10	121	180	132	101	289	121	120	G 2"	112	160	60/110	28/42	31,3/45,3	8/12	54

* - Dimensions are not binding ** - Depending on motor shaft dimensions
 *** - With standard counterflange

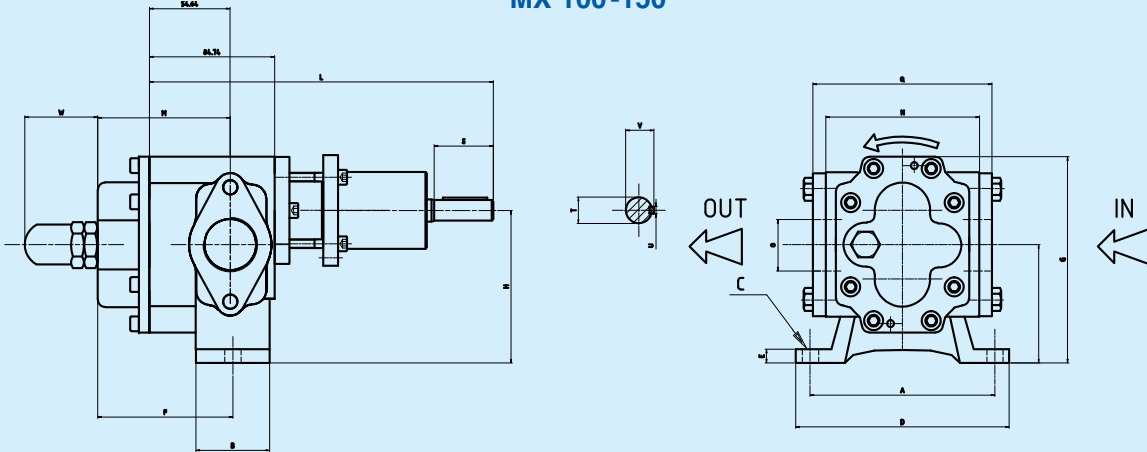
MX 5÷25



MX 40÷70



MX 100-150

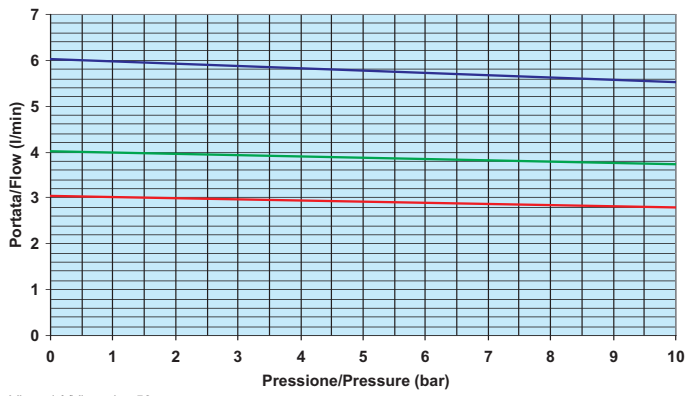


GEAR PUMP TYPE MX WITH DOUBLE MECHANICAL SEAL

Type	Dimensions * (mm)																		
	A	B	C	D	E	F	G	H	I	L	M	N	O	Q**	S	T	U	V	W
MX5	106	40	11	130	7	52	115	80	64	204	52	98	G 3/4"	30	12	4	13,5	47
MX10	106	40	11	130	7	62	115	80	64	214	62	98	G 3/4"	30	12	4	13,5	47
MX15	106	40	11	130	7	72	115	80	64	224	72	98	G 3/4"	30	12	4	13,5	47
MX25	106	40	11	130	7	82	115	80	64	234	82	98	G 3/4"	30	12	4	13,5	47
MX40	125	40	11	145	8	70	136	100	76,5	248	70	138	G 1 1/2"	40	14	5	16	47
MX50	125	40	11	145	8	80	136	100	76,5	258	80	138	G 1 1/2"	40	14	5	16	47
MX70	125	40	11	145	8	90	136	100	76,5	268	90	138	G 1 1/2"	40	14	5	16	47
MX100	162	50	13	190	10	101	180	132	101	333	101	120	G 2"	160	50	24	8	27	54
MX150	162	50	13	190	10	121	180	132	101	353	121	120	G 2"	160	50	24	8	27	54

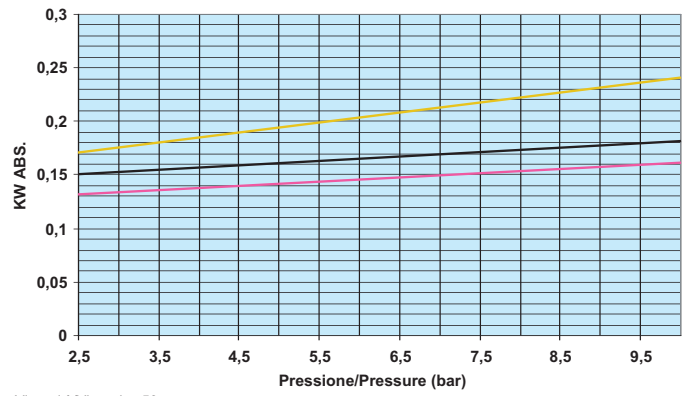
* - Dimensions are not binding
 *** - With standard counterflange

MX 5



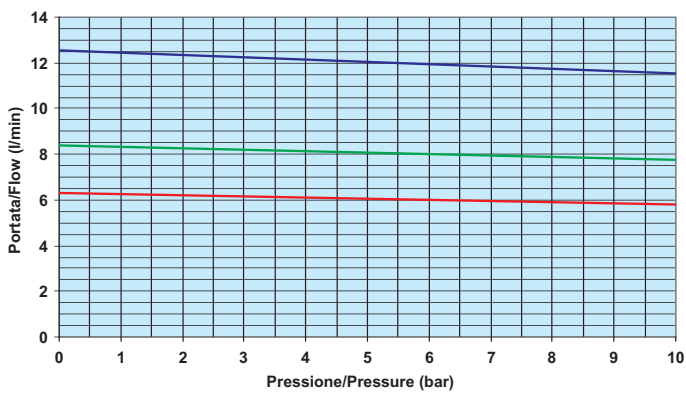
Viscosità/Viscosity: 50 cps

MX 5



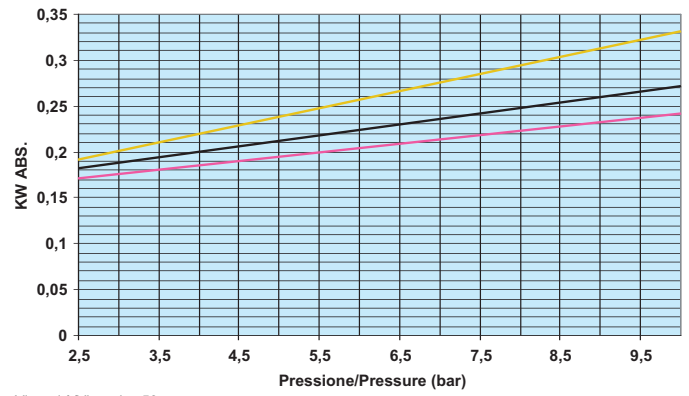
Viscosità/Viscosity: 50 cps

MX 10



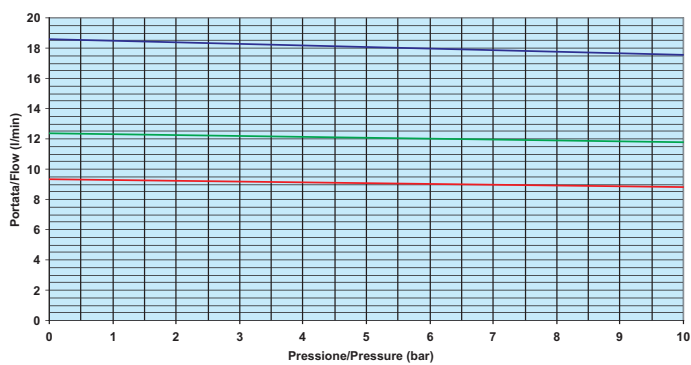
Viscosità/Viscosity: 50 cps

MX 10



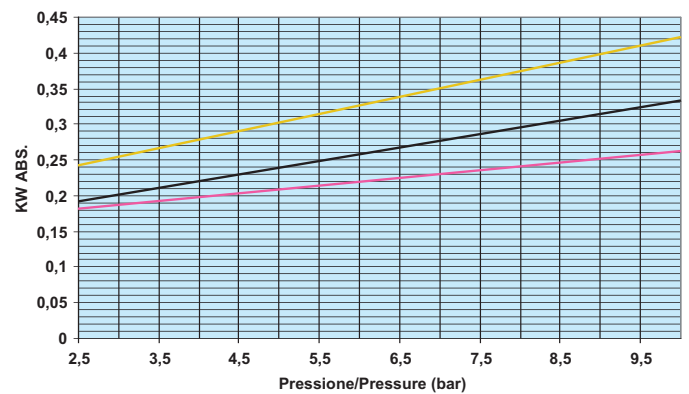
Viscosità/Viscosity: 50 cps

MX 15



Viscosità/Viscosity: 50 cps

MX 15

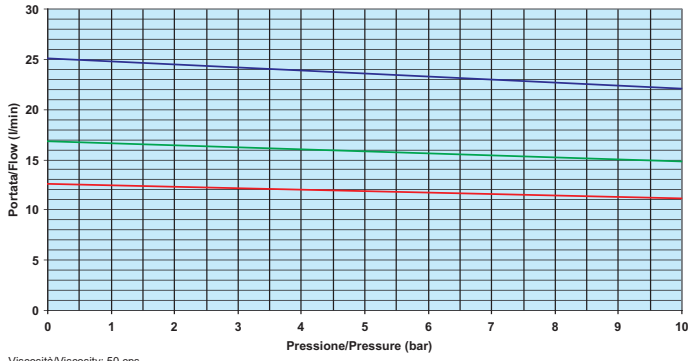


Viscosità/Viscosity: 50 cps

— = 700 RPM — = 900 RPM — = 1450 RPM

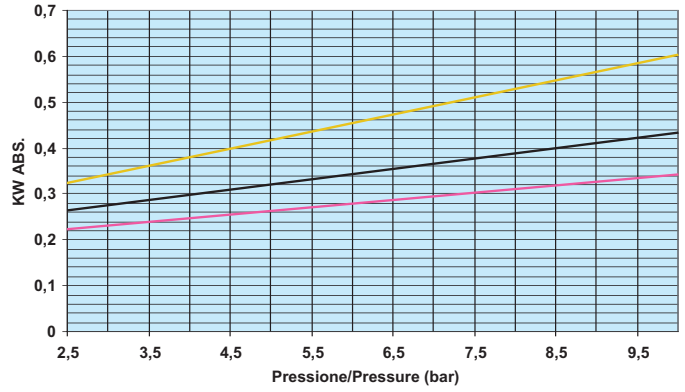
— = 1450 RPM — = 900 RPM — = 700 RPM

MX 25



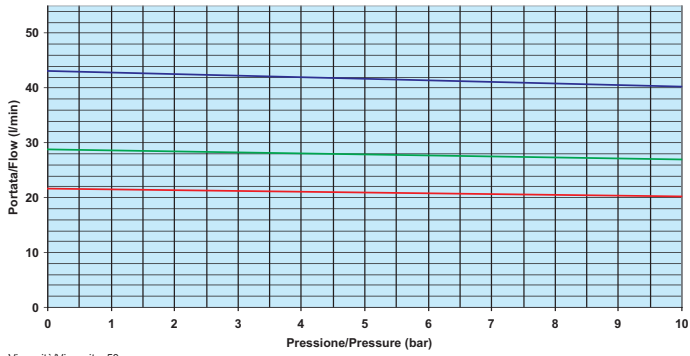
Viscosità/Viscosity: 50 cps

MX 25



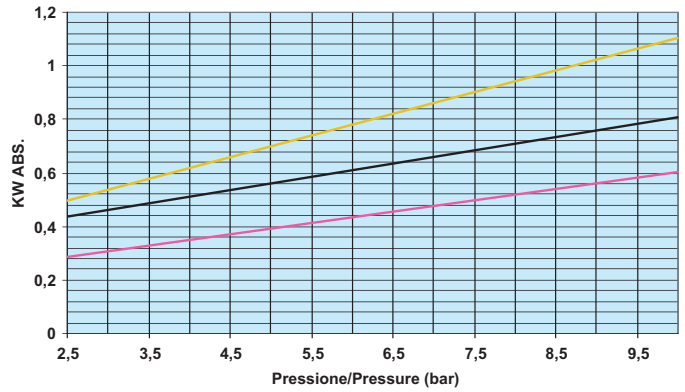
Viscosità/Viscosity: 50 cps

MX 40



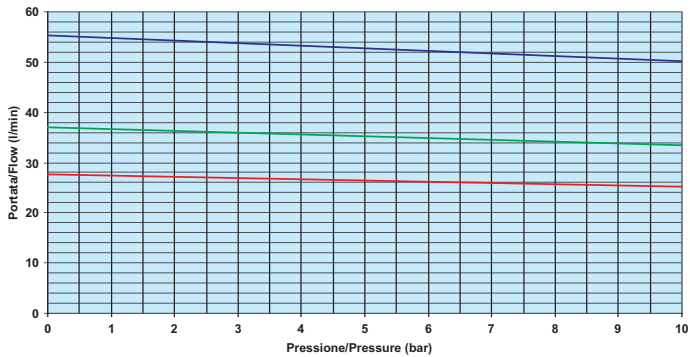
Viscosità/Viscosity: 50 cps

MX 40



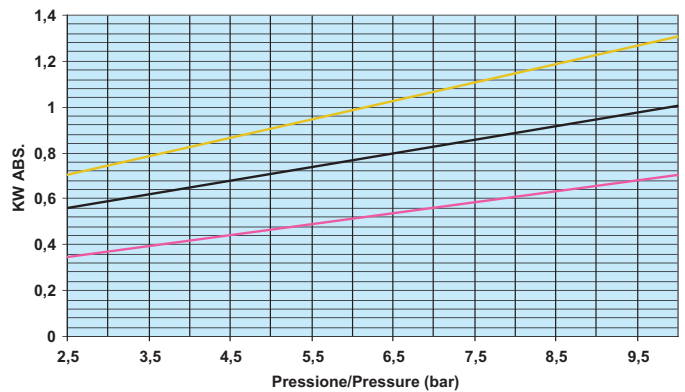
Viscosità/Viscosity: 50 cps

MX 50



Viscosità/Viscosity: 50 cps

MX 50

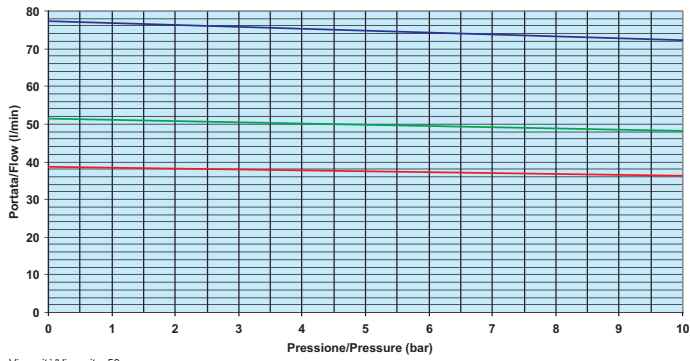


Viscosità/Viscosity: 50 cps

— = 700 RPM — = 900 RPM — = 1450 RPM

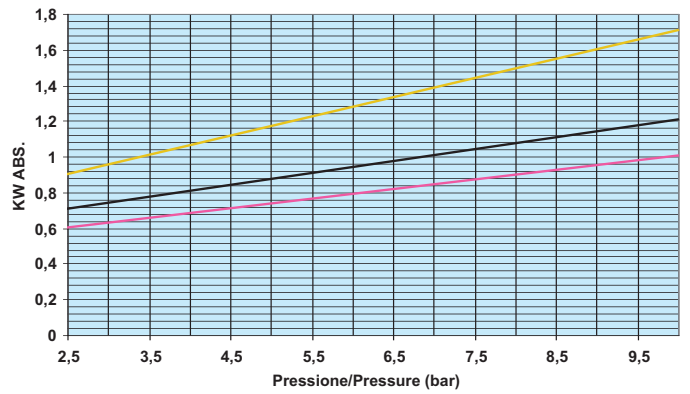
— = 1450 RPM — = 900 RPM — = 700 RPM

MX 70



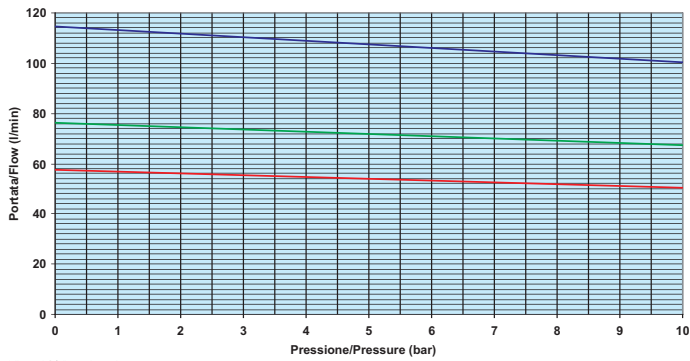
Viscosità/Viscosity: 50 cps

MX 70



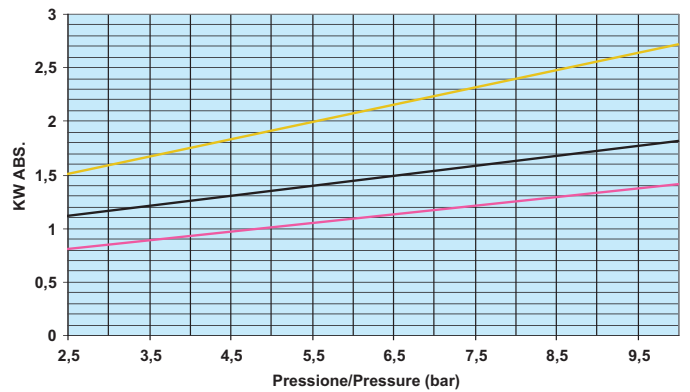
Viscosità/Viscosity: 50 cps

MX 100



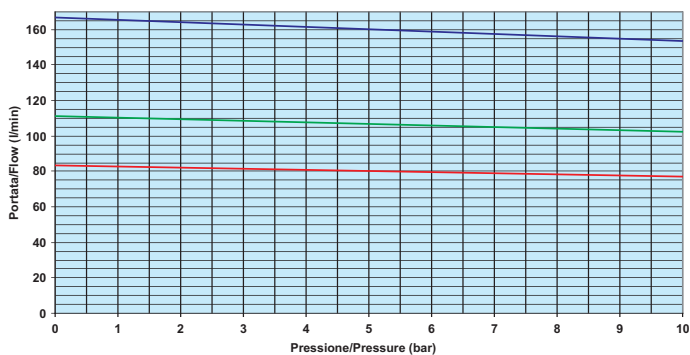
Viscosità/Viscosity: 50 cps

MX 100



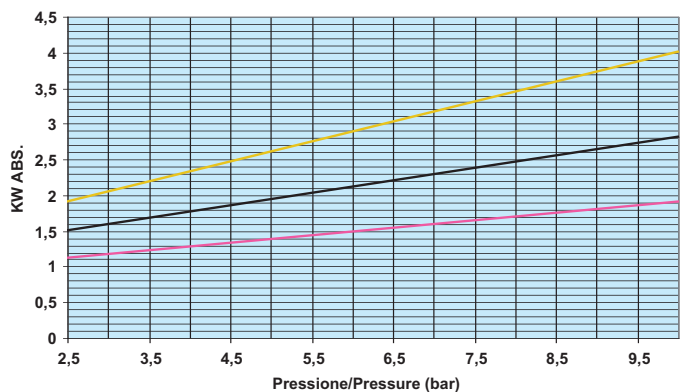
Viscosità/Viscosity: 50 cps

MX 150



Viscosità/Viscosity: 50 cps

MX 150

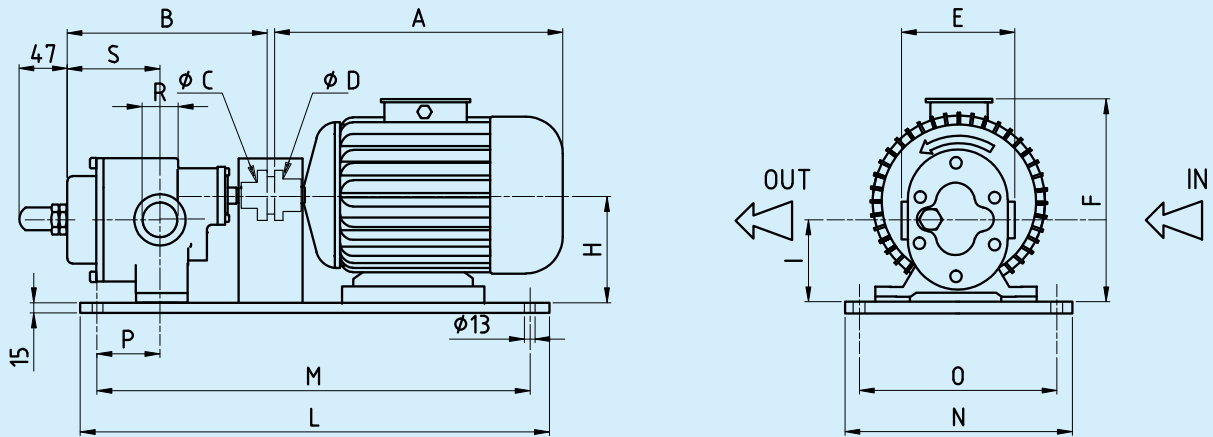


Viscosità/Viscosity: 50 cps

In case of motors with frequency 60 Hz, the capacity and absorbed power must be increased of 20% compared to the relative speed at 50 Hz.

— = 700 RPM — = 900 RPM — = 1450 RPM

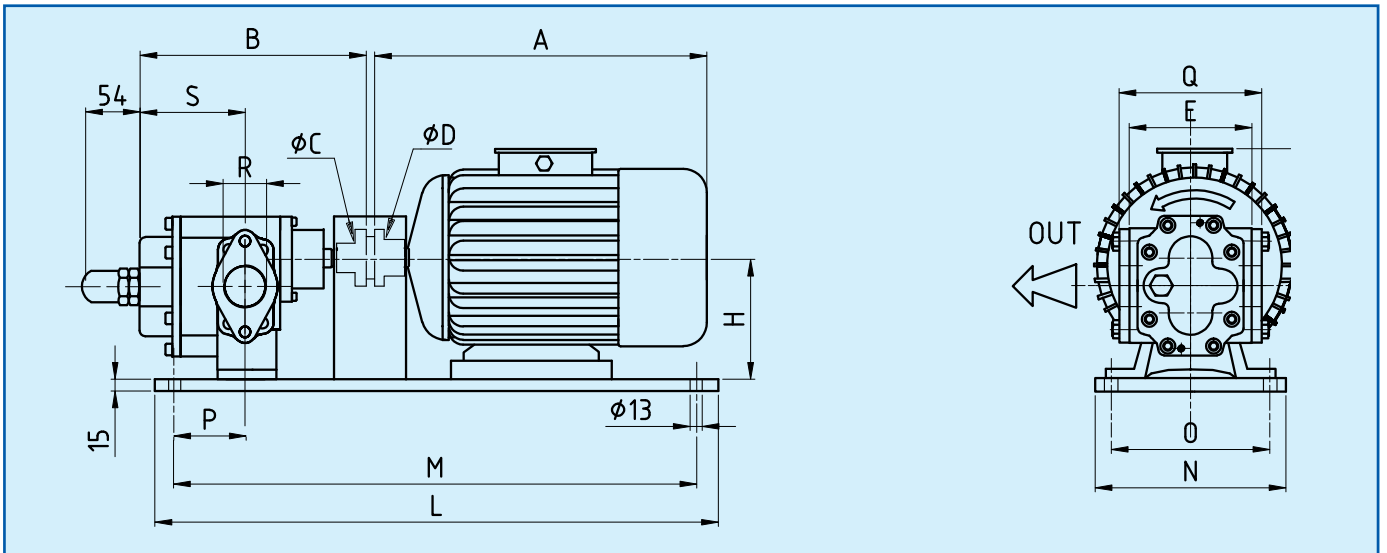
— = 1450 RPM — = 900 RPM — = 700 RPM



GEAR PUMP SET TYPE MX WITH MECHANICAL SEAL OR PACKING

Pump	Motor	Dimensions * (mm)														
		A	B	C	D	E	F	H	I	L	M	N	O	P	R	S
MX5	Gr. 63	212	149	12	11	98	177	80	64	470	440	220	190	45	G 3/4"	52
	Gr.71	237	149	12	14	98	186	80	64	470	440	220	190	45	G 3/4"	52
	Gr. 80	276	149	12	19	98	190	80	64	470	440	220	190	45	G 3/4"	52
	Gr. 90	331	149	12	24	98	232	90	74	470	440	220	190	45	G 3/4"	52
MX10	Gr. 63	212	159	12	11	98	177	80	64	470	440	220	190	45	G 3/4"	62
	Gr.71	237	159	12	14	98	186	80	64	470	440	220	190	45	G 3/4"	62
	Gr. 80	276	159	12	19	98	190	80	64	470	440	220	190	45	G 3/4"	62
	Gr. 90	331	159	12	24	98	232	90	74	470	440	220	190	45	G 3/4"	62
MX15	Gr.71	237	169	12	14	98	186	80	64	470	440	220	190	45	G 3/4"	72
	Gr. 80	276	169	12	19	98	190	80	64	470	440	220	190	45	G 3/4"	72
	Gr. 90	331	169	12	24	98	232	90	74	470	440	220	190	45	G 3/4"	72
MX25	Gr.71	237	179	12	14	98	186	80	64	470	440	220	190	45	G 3/4"	82
	Gr. 80	276	179	12	19	98	190	80	64	470	440	220	190	45	G 3/4"	82
	Gr. 90	331	179	12	24	98	232	90	74	470	440	220	190	45	G 3/4"	82
MX40	Gr. 80	276	193	14	19	138	210	100	76,5	470	440	220	190	70	G 1 1/2"	70
	Gr. 90	331	193	14	24	138	242	100	76,5	580	540	250	210	70	G 1 1/2"	70
	Gr. 100	374	193	14	24	138	255	100	76,5	580	540	250	210	70	G 1 1/2"	70
	Gr. 112	383	193	14	28	138	280	112	88,5	580	540	250	210	70	G 1 1/2"	70
MX50	Gr. 80	276	203	14	19	138	210	100	76,5	470	440	220	190	70	G 1 1/2"	80
	Gr. 90	331	203	14	24	138	242	100	76,5	580	540	250	210	70	G 1 1/2"	80
	Gr. 100	374	203	14	24	138	255	100	76,5	580	540	250	210	70	G 1 1/2"	80
	Gr. 112	383	203	14	28	138	280	112	88,5	580	540	250	210	70	G 1 1/2"	80
MX70	Gr. 80	276	213	14	19	138	210	100	76,5	470	440	220	190	70	G 1 1/2"	90
	Gr. 90	331	213	14	24	138	242	100	76,5	580	540	250	210	70	G 1 1/2"	90
	Gr. 100	374	213	14	24	138	255	100	76,5	580	540	250	210	70	G 1 1/2"	90
	Gr. 112	383	213	14	28	138	280	112	88,5	580	540	250	210	70	G 1 1/2"	90

* - Dimensions are not binding



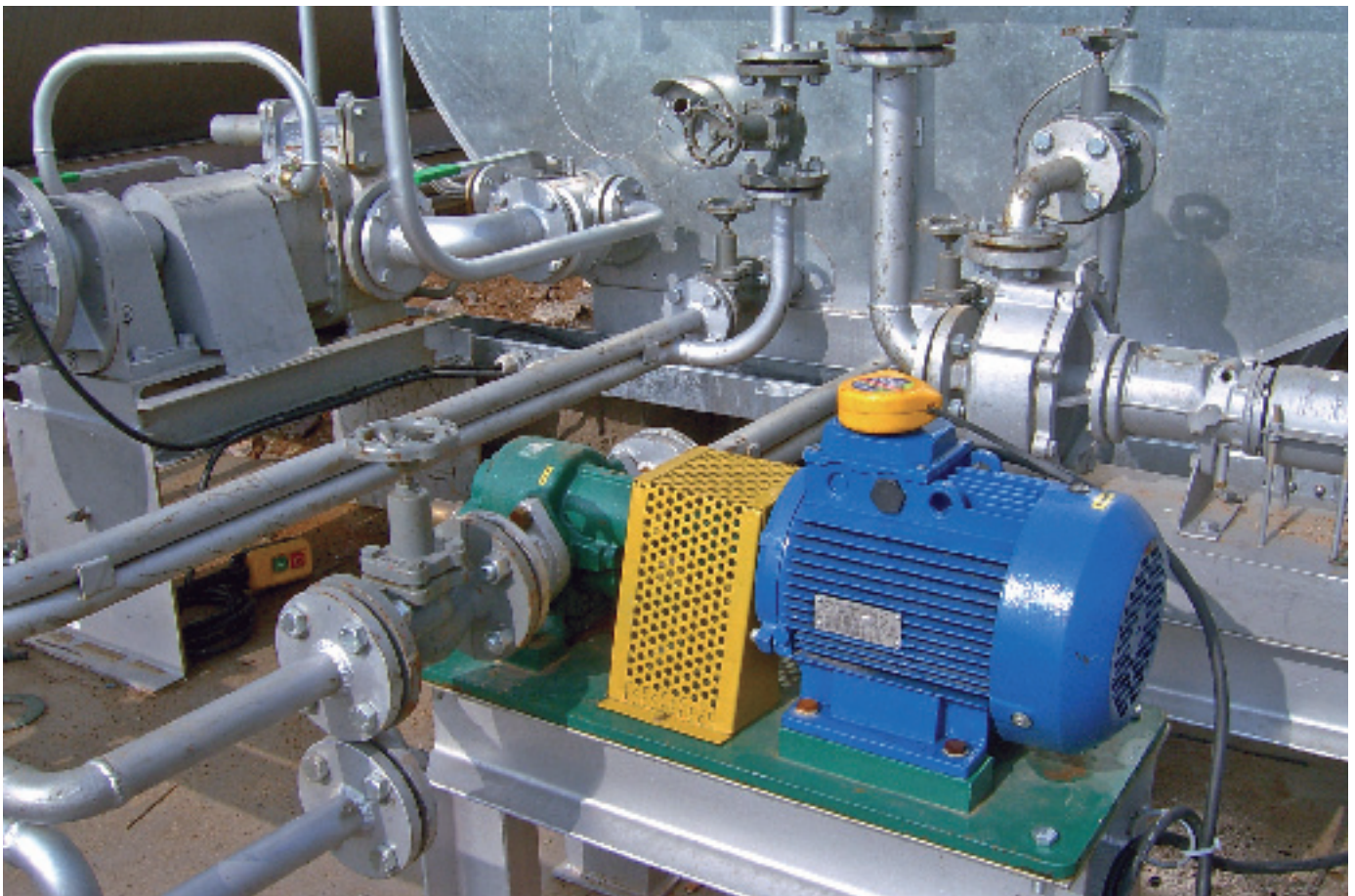
GEAR PUMP SET TYPE MX WITH MECHANICAL SEAL OR PACKING

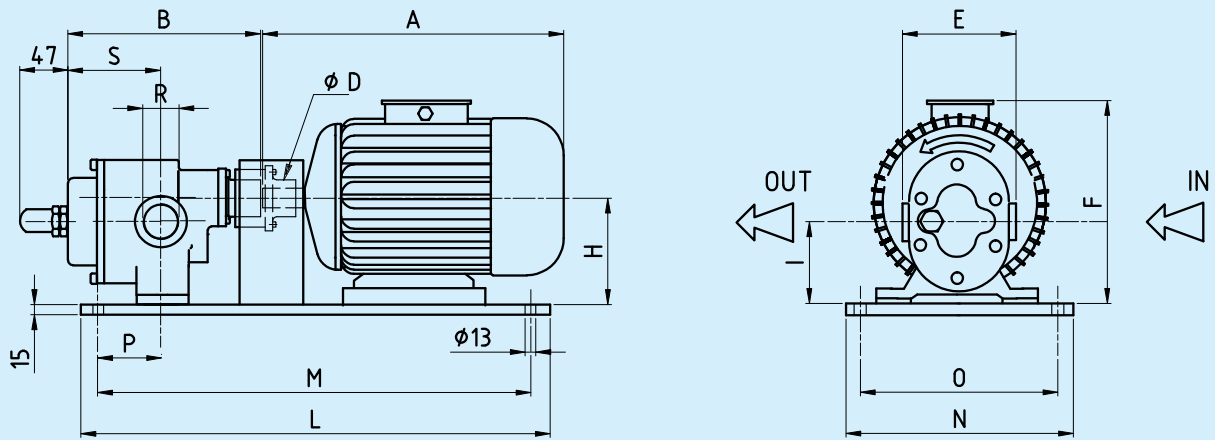
Pump	Motor	Dimensions * (mm)															
		A	B	C	D	E	F	H	I	L	M	N	O	P	Q**	R	S
MX100	Gr. 100	374	259	24	28	120	287	132	101	700	640	300	240	100	160	G 2"	101
	Gr. 112	383	259	24	28	120	300	132	101	700	640	300	240	100	160	G 2"	101
	Gr. 132	480	259	24	38	120	313	132	101	850	800	350	300	100	160	G 2"	101
MX150	Gr. 100	374	279	24	28	120	287	132	101	700	640	300	240	100	160	G 2"	121
	Gr. 112	383	279	24	28	120	300	132	101	700	640	300	240	100	160	G 2"	121
	Gr. 132	480	279	24	38	120	313	132	101	850	800	350	300	100	160	G 2"	121

* - Dimensions are not binding

** - With standard counterflange

*** - With S.A.E. counterflange

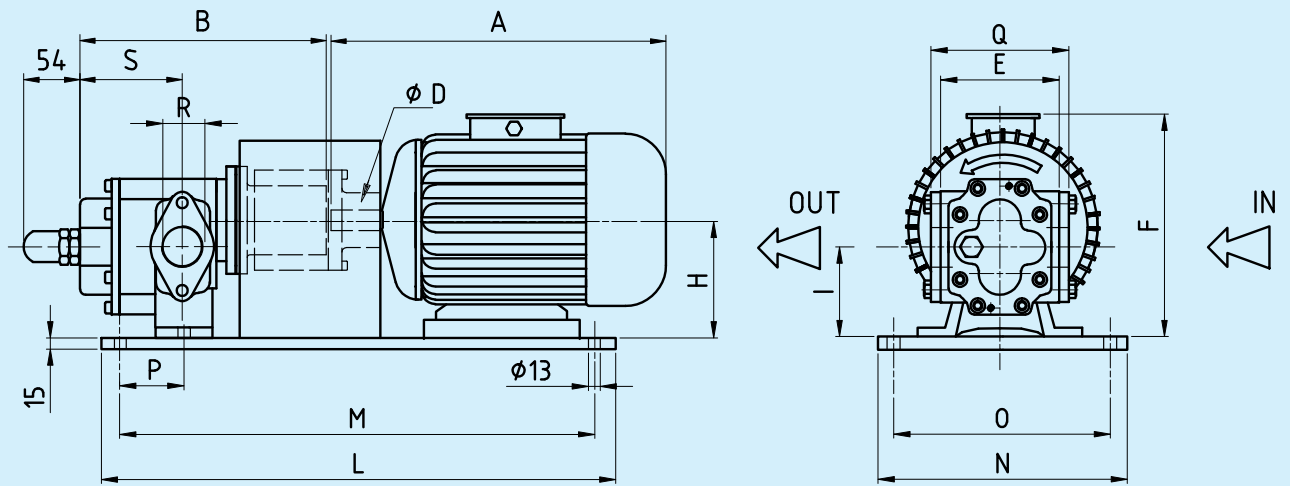




GEAR PUMP SET TYPE MX WITH MAGNETIC COUPLING

Pump	Motor	Dimensions * (mm)													
		A	B	D	E	F	H	I	L	M	N	O	P	R	S
MX5	Gr. 63	212	142	11	98	177	80	64	470	440	220	190	45	G 3/4"	52
	Gr. 71	237	142	14	98	186	80	64	470	440	220	190	45	G 3/4"	52
	Gr. 80	276	142	19	98	190	80	64	470	440	220	190	45	G 3/4"	52
	Gr. 90	331	142	24	98	232	90	74	470	440	220	190	45	G 3/4"	52
MX10	Gr. 63	212	152	11	98	177	80	64	470	440	220	190	45	G 3/4"	62
	Gr. 71	237	152	14	98	186	80	64	470	440	220	190	45	G 3/4"	62
	Gr. 80	276	152	19	98	190	80	64	470	440	220	190	45	G 3/4"	62
	Gr. 90	331	152	24	98	232	90	74	470	440	220	190	45	G 3/4"	62
MX15	Gr. 71	237	162	14	98	186	80	64	470	440	220	190	45	G 3/4"	72
	Gr. 80	276	162	19	98	190	80	64	470	440	220	190	45	G 3/4"	72
	Gr. 90	331	162	24	98	232	90	74	470	440	220	190	45	G 3/4"	72
MX25	Gr. 71	237	172	14	98	186	80	64	470	440	220	190	45	G 3/4"	82
	Gr. 80	276	172	19	98	190	80	64	470	440	220	190	45	G 3/4"	82
	Gr. 90	331	172	24	98	232	90	74	470	440	220	190	45	G 3/4"	82
MX40	Gr. 80	276	180	19	138	210	100	76,5	470	440	220	190	70	G 1 1/2"	70
	Gr. 90	331	180	24	138	242	100	76,5	580	540	250	210	70	G 1 1/2"	70
	Gr. 100	374	180	24	138	255	100	76,5	580	540	250	210	70	G 1 1/2"	70
	Gr. 112	383	180	28	138	280	112	88,5	580	540	250	210	70	G 1 1/2"	7
MX50	Gr. 80	276	190	19	138	210	100	76,5	470	440	220	190	70	G 1 1/2"	80
	Gr. 90	331	190	24	138	242	100	76,5	580	540	250	210	70	G 1 1/2"	80
	Gr. 100	374	190	24	138	255	100	76,5	580	540	250	210	70	G 1 1/2"	80
	Gr. 112	383	190	28	138	280	112	88,5	580	540	250	210	70	G 1 1/2"	80
MX70	Gr. 80	276	200	19	138	210	100	76,5	470	440	220	190	70	G 1 1/2"	90
	Gr. 90	331	200	24	138	242	100	76,5	580	540	250	210	70	G 1 1/2"	90
	Gr. 100	374	200	24	138	255	100	76,5	580	540	250	210	70	G 1 1/2"	90
	Gr. 112	383	200	28	138	280	112	88,5	580	540	250	210	70	G 1 1/2"	9

* - Dimensions are not binding

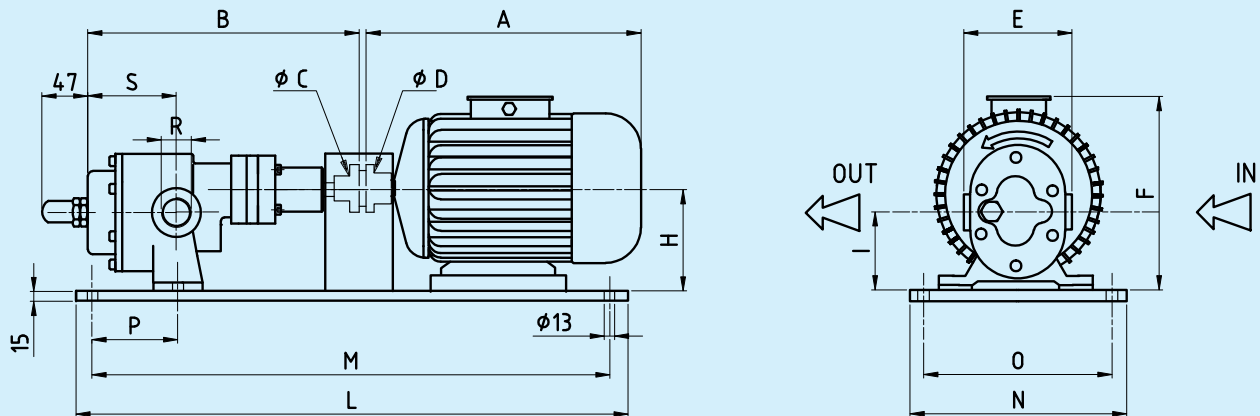


GEAR PUMP SET TYPE MX WITH MAGNETIC COUPLING

Pump	Motor	Dimensions * (mm)														
		A	B	D	E	F	H	I	L	M	N	O	P	Q**	R	S
MX100	Gr. 100	374	269	28	120	287	132	101	700	640	300	240	100	160	G 2"	101
	Gr. 112	383	269	28	120	300	132	101	700	640	300	240	100	160	G 2"	101
	Gr. 132	480	269	38	120	313	132	101	850	800	350	300	100	160	G 2"	101
MX150	Gr. 100	374	289	28	120	287	132	101	700	640	300	240	100	160	G 2"	121
	Gr. 112	383	289	28	120	300	132	101	700	640	300	240	100	160	G 2"	121
	Gr. 132	480	289	38	120	313	132	101	850	800	350	300	100	160	G 2"	121

* - Dimensions are not binding

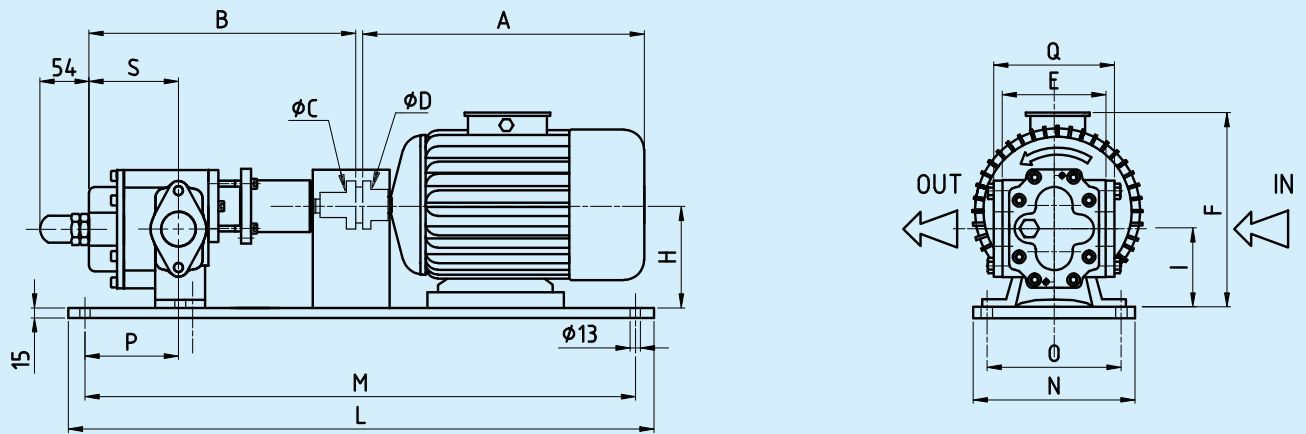
** - With standard counterflange



GEAR PUMP SET TYPE MX WITH DOUBLE MECHANICAL SEAL

Pump	Motor	Dimensions * (mm)														
		A	B	C	D	E	F	H	I	L	M	N	O	P	R	S
MX5	Gr. 63	212	204	12	11	98	177	80	64	470	440	220	190	45	G 3/4"	52
	Gr. 71	237	204	12	14	98	186	80	64	470	440	220	190	45	G 3/4"	52
	Gr. 80	276	204	12	19	98	190	80	64	470	440	220	190	45	G 3/4"	52
	Gr. 90	331	204	12	24	98	232	90	74	580	540	250	210	45	G 3/4"	52
MX10	Gr. 63	212	214	12	11	98	177	80	64	470	440	220	190	45	G 3/4"	62
	Gr. 71	237	214	12	14	98	186	80	64	470	440	220	190	45	G 3/4"	62
	Gr. 80	276	214	12	19	98	190	80	64	470	440	220	190	45	G 3/4"	62
	Gr. 90	331	214	12	24	98	232	90	74	580	540	250	210	45	G 3/4"	62
MX15	Gr. 71	237	224	12	14	98	186	80	64	470	440	220	190	45	G 3/4"	72
	Gr. 80	276	224	12	19	98	190	80	64	470	440	220	190	45	G 3/4"	72
	Gr. 90	331	224	12	24	98	232	90	74	580	540	250	210	45	G 3/4"	72
MX25	Gr. 71	237	234	12	14	98	186	80	64	470	440	220	190	45	G 3/4"	82
	Gr. 80	276	234	12	19	98	190	80	64	470	440	220	190	45	G 3/4"	82
	Gr. 90	331	234	12	24	98	232	90	74	580	540	250	210	45	G 3/4"	82
MX40	Gr. 80	276	248	14	19	138	210	100	76,5	580	540	250	210	70	G 1 1/2"	70
	Gr. 90	331	248	14	24	138	242	100	76,5	580	540	250	210	70	G 1 1/2"	70
	Gr. 100	374	248	14	24	138	255	100	76,5	700	640	300	240	70	G 1 1/2"	70
	Gr. 112	383	248	14	28	138	280	112	88,5	700	640	300	240	70	G 1 1/2"	70
MX50	Gr. 80	276	258	14	19	138	210	100	76,5	580	540	250	210	70	G 1 1/2"	80
	Gr. 90	331	258	14	24	138	242	100	76,5	580	540	250	210	70	G 1 1/2"	80
	Gr. 100	374	258	14	24	138	255	100	76,5	700	640	300	240	70	G 1 1/2"	80
	Gr. 112	383	258	14	28	138	280	112	88,5	700	640	300	240	70	G 1 1/2"	80
MX70	Gr. 80	276	268	14	19	138	210	100	76,5	580	540	250	210	70	G 1 1/2"	90
	Gr. 90	331	268	14	24	138	242	100	76,5	580	540	250	210	70	G 1 1/2"	90
	Gr. 100	374	268	14	24	138	255	100	76,5	700	640	300	240	70	G 1 1/2"	90
	Gr. 112	383	268	14	28	138	280	112	88,5	700	640	300	240	70	G 1 1/2"	90

* - Dimensions are not binding

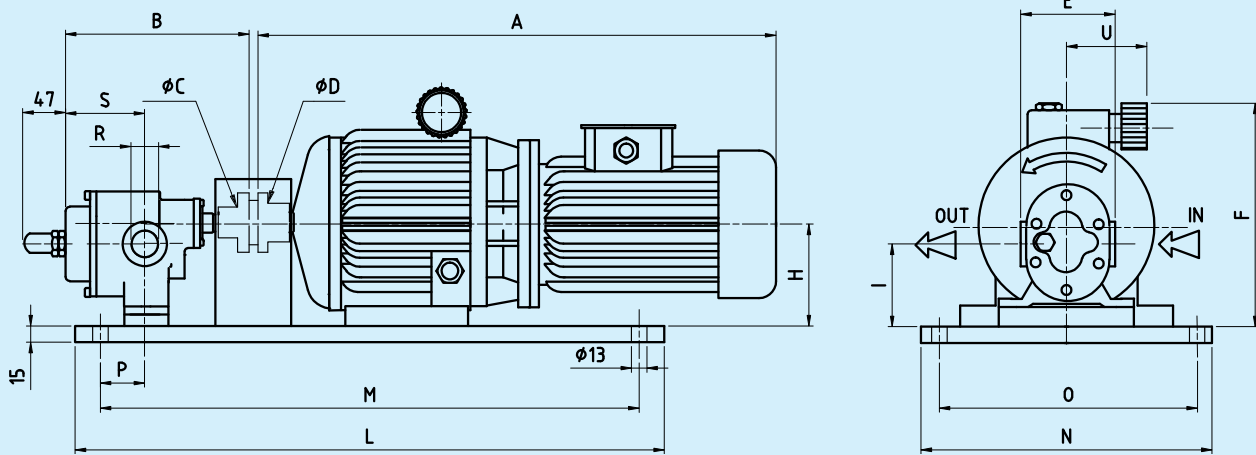


GEAR PUMP SET TYPE MX WITH DOUBLE MECHANICAL SEAL

Pump	Motor	Dimensions * (mm)															
		A	B	C	D	E	F	H	I	L	M	N	O	P	Q**	R	S
MX100	Gr. 100	374	333	24	28	120	287	132	101	700	640	300	240	100	160	G 2"	101
	Gr. 112	383	333	24	28	120	300	132	101	700	640	300	240	100	160	G 2"	101
	Gr. 132	480	333	24	38	120	313	132	101	850	800	350	300	100	160	G 2"	101
MX150	Gr. 100	374	353	24	28	120	287	132	101	700	640	300	240	100	160	G 2"	121
	Gr. 112	383	353	24	28	120	300	132	101	700	640	300	240	100	160	G 2"	121
	Gr. 132	480	353	24	38	120	313	132	101	850	800	350	300	100	160	G 2"	121

* - Dimensions are not binding

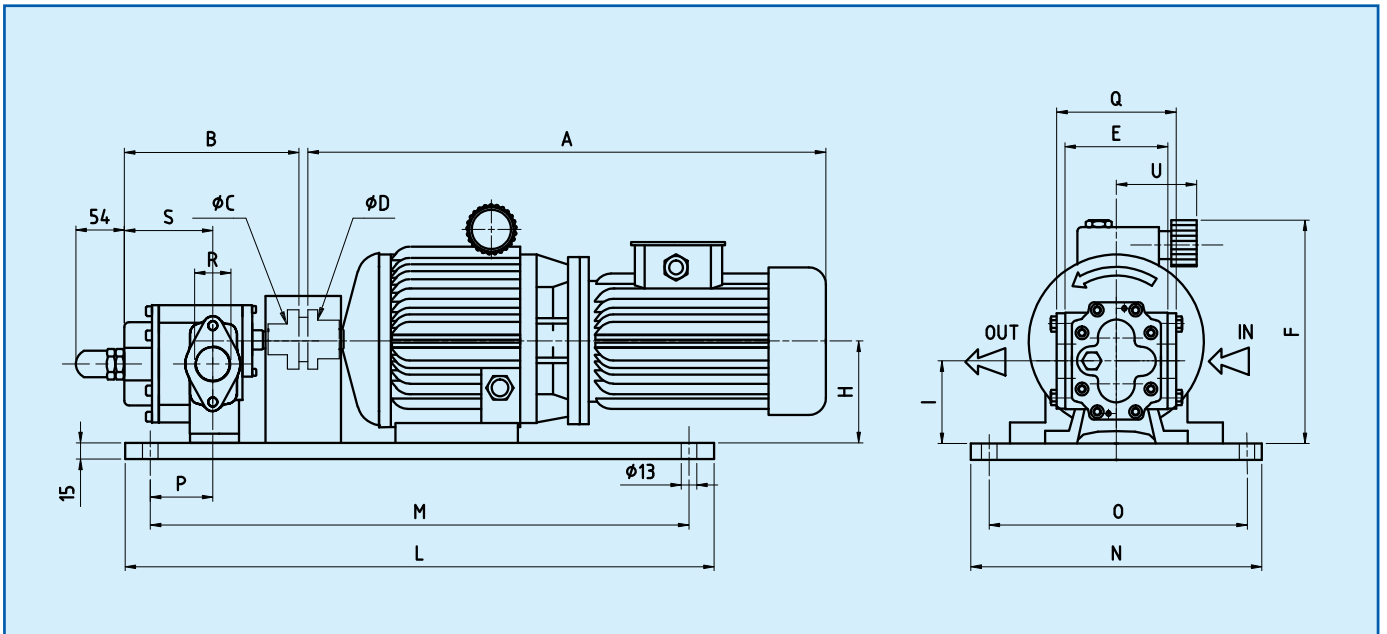
** - With standard counterflange



GEAR PUMP SET TYPE MX WITH MECHANICAL SEAL OR PACKING AND HYDRAULIC VARIATOR

Pump	Variator	Dimensions * (mm)															
		A	B	C	D	E	F	H	I	L	M	N	O	P	R	S	U
MX5	21.A2/000/1	405	149	12	14	98	193,5	83	67	580	540	250	210	45	G 3/4"	52	121
	21.A4/000/1	460	149	12	19	98	221,5	102	86	580	540	250	210	45	G 3/4"	52	121
MX10	21.A2/000/1	405	159	12	14	98	193,5	83	67	580	540	250	210	45	G 3/4"	62	121
	21.A4/000/1	460	159	12	19	98	221,5	102	86	580	540	250	210	45	G 3/4"	62	121
MX15	21.A4/000/1	460	169	12	19	98	221,5	102	86	580	540	250	210	45	G 3/4"	72	121
	21.A8/000/1	553	169	12	24	98	238,5	105	89	700	640	300	240	45	G 3/4"	72	121
MX25	21.A4/000/1	460	179	12	19	98	221,5	102	86	580	540	250	210	45	G 3/4"	82	121
	21.A8/000/1	553	179	12	24	98	238,5	105	89	700	640	300	240	45	G 3/4"	82	121
MX40	21.A8/000/1	553	193	14	24	138	238,5	105	81,5	700	640	300	240	70	G 1 1/2"	70	121
	21.A10/000/1	711	193	14	28	138	281,5	130	106,5	850	800	350	300	70	G 1 1/2"	70	121
MX50	21.A8/000/1	553	203	14	24	138	238,5	105	81,5	700	640	300	240	70	G 1 1/2"	80	121
	21.A10/000/1	711	203	14	28	138	281,5	130	106,5	850	800	350	300	70	G 1 1/2"	80	121
MX 70	21.A8/000/1	553	213	14	24	138	238,5	105	81,5	700	640	300	240	70	G 1 1/2"	90	121
	21.A10/000/1	711	213	14	28	138	281,5	130	106,5	850	800	350	300	70	G 1 1/2"	90	121
	21.A12/000/1	730	213	14	28	138	281,5	130	106,5	850	800	350	300	70	G 1 1/2"	90	121

* - Dimensions are not binding

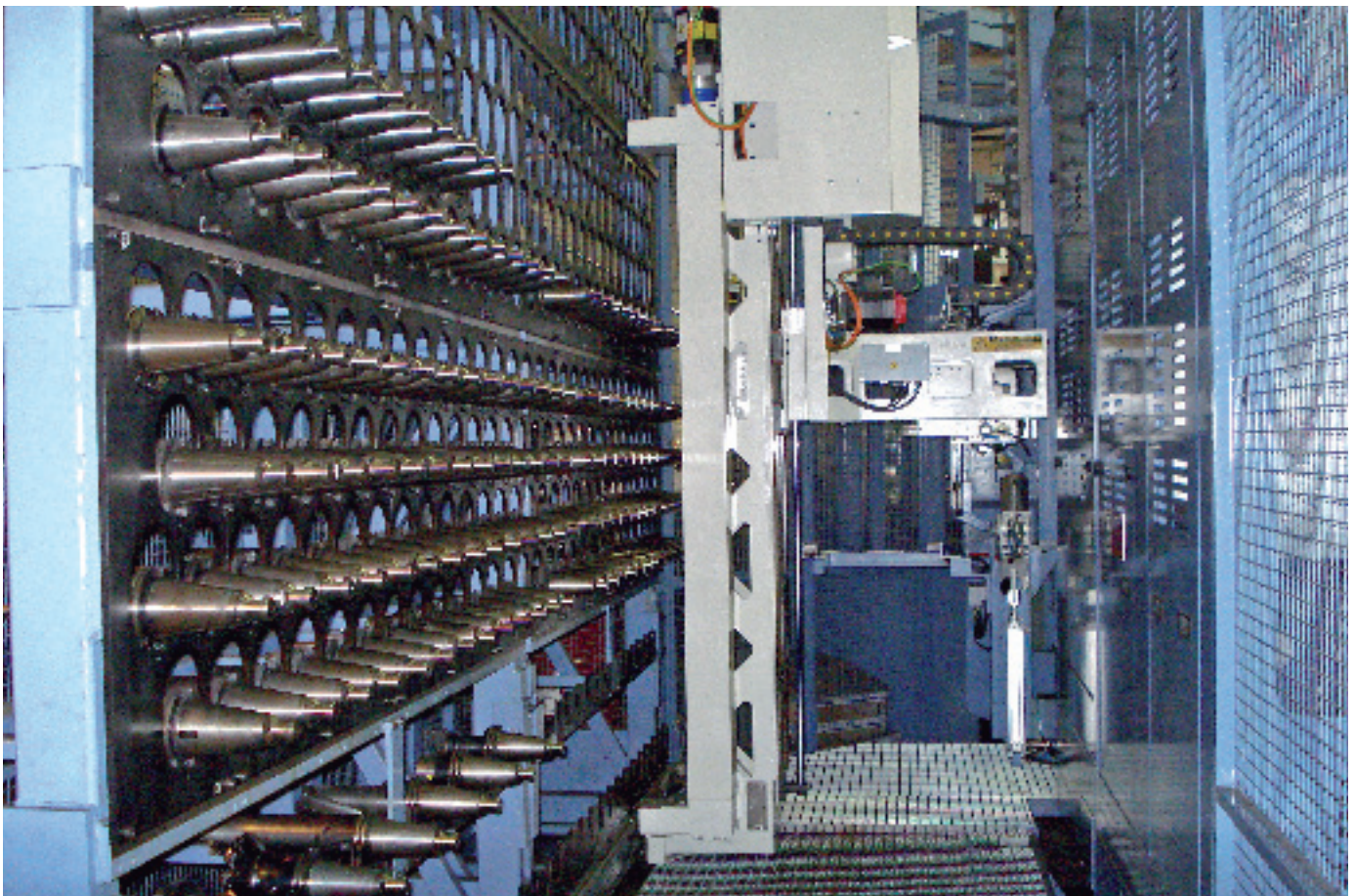


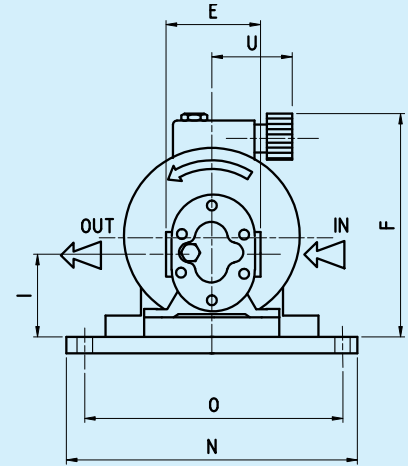
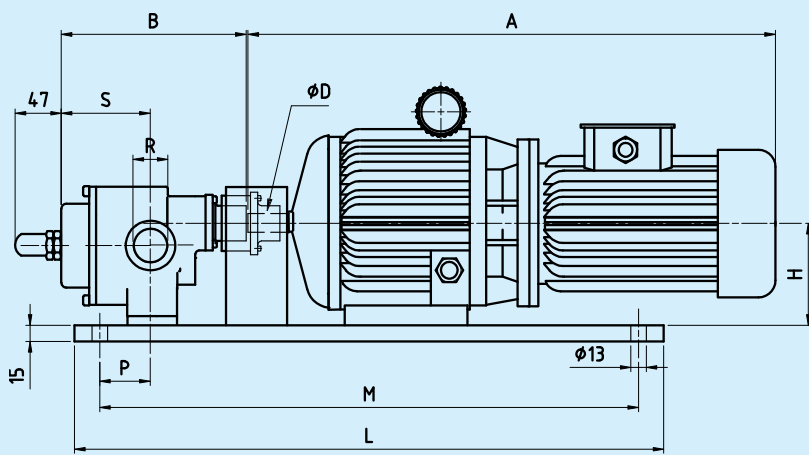
GEAR PUMP SET TYPE MX WITH MECHANICAL SEAL OR PACKING AND HYDRAULIC VARIATOR

Pump	Variator	Dimensions * (mm)																
		A	B	C	D	E	F	H	I	L	M	N	O	P	Q**	R	S	U
	21.A10/000/1	711	259	24	28	120	283,5	132	101	850	800	350	300	100	156	G 2"	101	121
MX100	21.A12/000/1	730	259	24	28	120	283,5	132	101	850	800	350	300	100	156	G 2"	101	121
	21.A10/000/1	711	279	24	28	120	283,5	132	101	850	800	350	300	100	156	G 2"	121	121
MX150	21.A12/000/1	730	279	24	28	120	283,5	132	101	850	800	350	300	100	156	G 2"	121	121

* - Dimensions are not binding

** - With standard counterflange

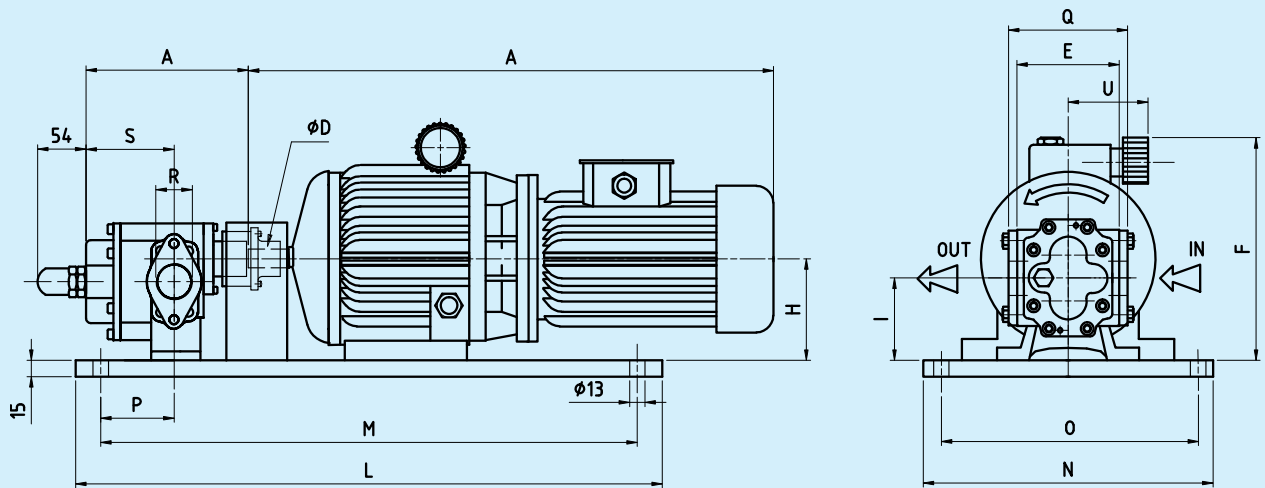




GEAR PUMP SET TYPE MX WITH MAGNETIC COUPLING AND HYDRAULIC VARIATOR

Pump	Variator	Dimensions * (mm)														
		A	B	D	E	F	H	I	L	M	N	O	P	R	S	U
MX5	21.A2/000/1	405	142	14	98	193,5	83	67	580	540	250	210	45	G 3/4"	52	121
	21.A4/000/1	460	142	19	98	221,5	102	86	580	540	250	210	45	G 3/4"	52	121
MX10	21.A2/000/1	405	152	14	98	193,5	83	67	580	540	250	210	45	G 3/4"	62	121
	21.A4/000/1	460	152	19	98	221,5	102	86	580	540	250	210	45	G 3/4"	62	121
MX15	21.A4/000/1	460	162	19	98	221,5	102	86	580	540	250	210	45	G 3/4"	72	121
	21.A8/000/1	553	162	24	98	238,5	105	89	700	640	300	240	45	G 3/4"	72	121
MX25	21.A4/000/1	460	172	19	98	221,5	102	86	580	540	250	210	45	G 3/4"	82	121
	21.A8/000/1	553	172	24	98	238,5	105	89	700	640	300	240	45	G 3/4"	82	121
MX40	21.A8/000/1	553	180	24	138	238,5	105	81,5	700	640	300	240	70	G 1 1/2"	70	121
	21.A10/000/1	711	180	28	138	281,5	130	106,5	850	800	350	300	70	G 1 1/2"	70	121
MX50	21.A8/000/1	553	190	24	138	238,5	105	81,5	700	640	300	240	70	G 1 1/2"	80	121
	21.A10/000/1	711	190	28	138	281,5	130	106,5	850	800	350	300	70	G 1 1/2"	80	121
MX70	21.A8/000/1	553	200	24	138	238,5	105	81,5	700	640	300	240	70	G 1 1/2"	90	121
	21.A10/000/1	711	200	28	138	281,5	130	106,5	850	800	350	300	70	G 1 1/2"	90	121
	21.A12/000/1	730	200	28	138	281,5	130	106,5	850	800	350	300	70	G 1 1/2"	90	121

* - Dimensions are not binding

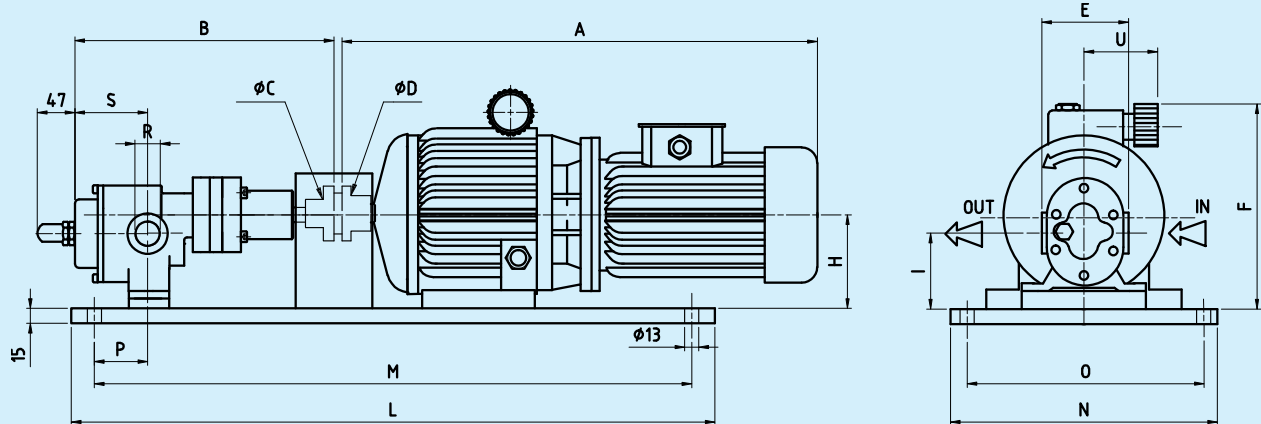


GEAR PUMP SET TYPE MX WITH MAGNETIC COUPLING AND HYDRAULIC VARIATOR

Pump	Variator	Dimensions * (mm)																
		A	B	C	D	E	F	H	I	L	M	N	O	P	Q**	R	S	U
MX100	21.A10/000/1	711	269	24	28	120	283,5	132	101	850	800	350	300	100	156	G 2"	101	121
	21.A12/000/1	730	269	24	28	120	283,5	132	101	850	800	350	300	100	156	G 2"	101	121
MX150	21.A10/000/1	711	289	24	28	120	283,5	132	101	850	800	350	300	100	156	G 2"	121	121
	21.A12/000/1	730	289	24	28	120	283,5	132	101	850	800	350	300	100	156	G 2"	121	121

* - Dimensions are not binding

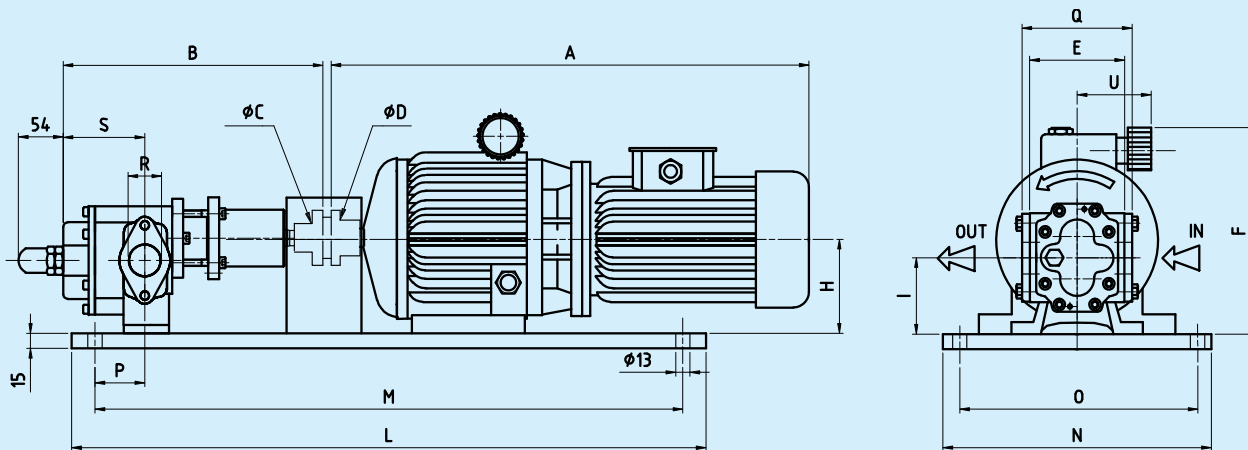
** - With standard counterflange



GEAR PUMP SET TYPE MX WITH DOUBLE MECHANICAL SEAL AND HYDRAULIC VARIATOR

Pump	Variator	Dimensions * (mm)															
		A	B	C	D	E	F	H	I	L	M	N	O	P	R	S	U
MX5	21.A2/000/1	405	204	12	14	98	193,5	83	67	580	540	250	210	45	G 3/4"	52	121
	21.A4/000/1	460	204	12	19	98	221,5	102	86	580	540	250	210	45	G 3/4"	52	121
MX10	21.A2/000/1	405	214	12	14	98	193,5	83	67	580	540	250	210	45	G 3/4"	62	121
	21.A4/000/1	460	214	12	19	98	221,5	102	86	580	540	250	210	45	G 3/4"	62	121
MX15	21.A4/000/1	460	224	12	19	98	221,5	102	86	580	540	250	210	45	G 3/4"	72	121
	21.A8/000/1	553	224	12	24	98	238,5	105	89	700	640	300	240	45	G 3/4"	72	121
MX25	21.A4/000/1	460	234	12	19	98	221,5	102	86	580	540	250	210	45	G 3/4"	82	121
	21.A8/000/1	553	234	12	24	98	238,5	105	89	700	640	300	240	45	G 3/4"	82	121
MX40	21.A8/000/1	553	248	14	24	138	238,5	105	81,5	700	640	300	240	70	G 1 1/2"	70	121
	21.A10/000/1	711	248	14	28	138	281,5	130	106,5	850	800	350	300	70	G 1 1/2"	70	121
MX50	21.A8/000/1	553	258	14	24	138	238,5	105	81,5	700	640	300	240	70	G 1 1/2"	80	121
	21.A10/000/1	711	258	14	28	138	281,5	130	106,5	850	800	350	300	70	G 1 1/2"	80	121
MX70	21.A8/000/1	553	268	14	24	138	238,5	105	81,5	700	640	300	240	70	G 1 1/2"	90	121
	21.A10/000/1	711	268	14	28	138	281,5	130	106,5	850	800	350	300	70	G 1 1/2"	90	121
	21.A12/000/1	730	268	14	28	138	281,5	130	106,5	850	800	350	300	70	G 1 1/2"	90	121

* - Dimensions are not binding



GEAR PUMP SET TYPE MX WITH DOUBLE MECHANICAL SEAL AND HYDRAULIC VARIATOR

Pump	Variator	Dimensions * (mm)																
		A	B	C	D	E	F	H	I	L	M	N	O	P	Q**	R	S	U
MX100	21.A10/000/1	711	333	24	28	120	283,5	132	101	850	800	350	300	100	156	G 2"	101	121
	21.A12/000/1	730	333	24	28	120	283,5	132	101	850	800	350	300	100	156	G 2"	101	121
MX150	21.A10/000/1	711	353	24	28	120	283,5	132	101	850	800	350	300	100	156	G 2"	121	121
	21.A12/000/1	730	353	24	28	120	283,5	132	101	850	800	350	300	100	156	G 2"	121	121

* - Dimensions are not binding

** - With standard counterflange



BEDU
≡ P O M P E N ≡

made for your process

- Deskundig advies
- Een klantgerichte organisatie die zich aanpast aan de eisen en wensen van uw organisatie
- Innovatieve en maatwerkoplossingen
- Storingsdienst 24 uur per dag, 7 dagen in de week
- Technische dienst met uitgebreide testfaciliteiten, werkend vanuit onze eigen werkplaats of bij u op locatie
- Een snelle en passende oplossing voor al uw vraagstukken
- Breed assortiment vloeistofpompen
- Reparatie, onderhoud en revisie

BEDU POMPEN B.V.
Poort van Midden Gelderland Rood 10
6666 LT HETEREN
Nederland
Telefoon +31 (0)88 4802 900
Fax +31 (0)88 4802 901
E-mail info@bedu.nl

WWW.BEDU.NL

BEDU BELGIUM B.V.B.A.
Industriepark-West 75 bus 24
9100 SINT-NIKLAAS
België
Telefoon +32 (0)3 80 87 980
Fax +32 (0)3 80 87 981
E-mail info@bedu.be

WWW.BEDU.BE

