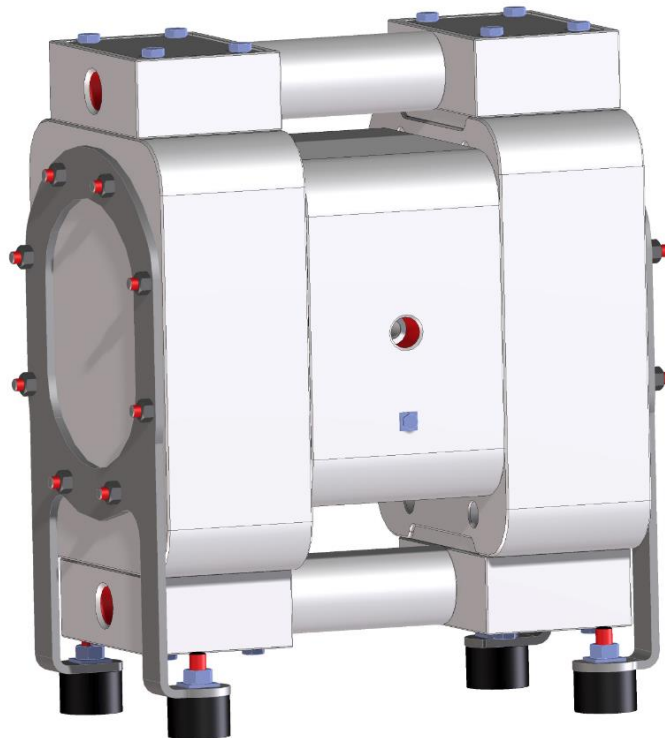


Datasheet Air Operated Diaphragm Pump

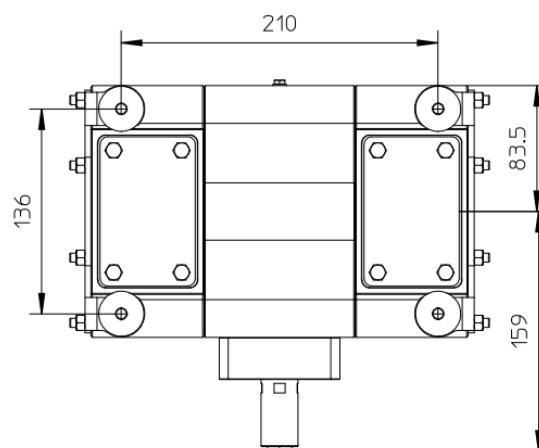
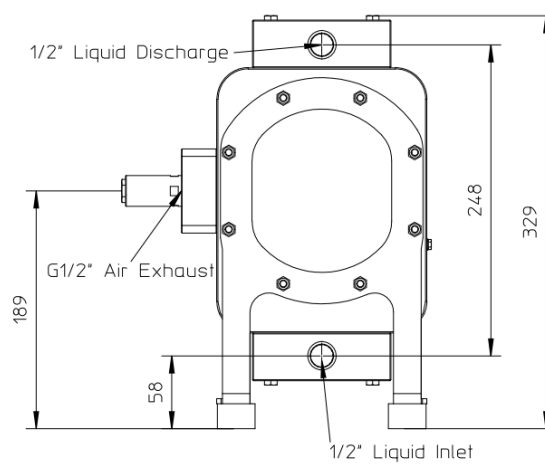
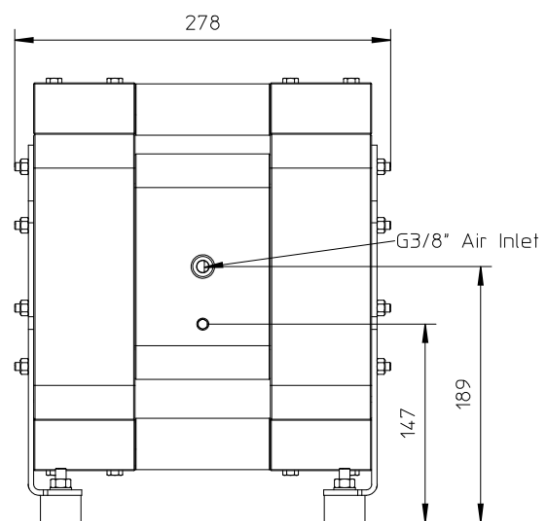
PK15 / XPK15

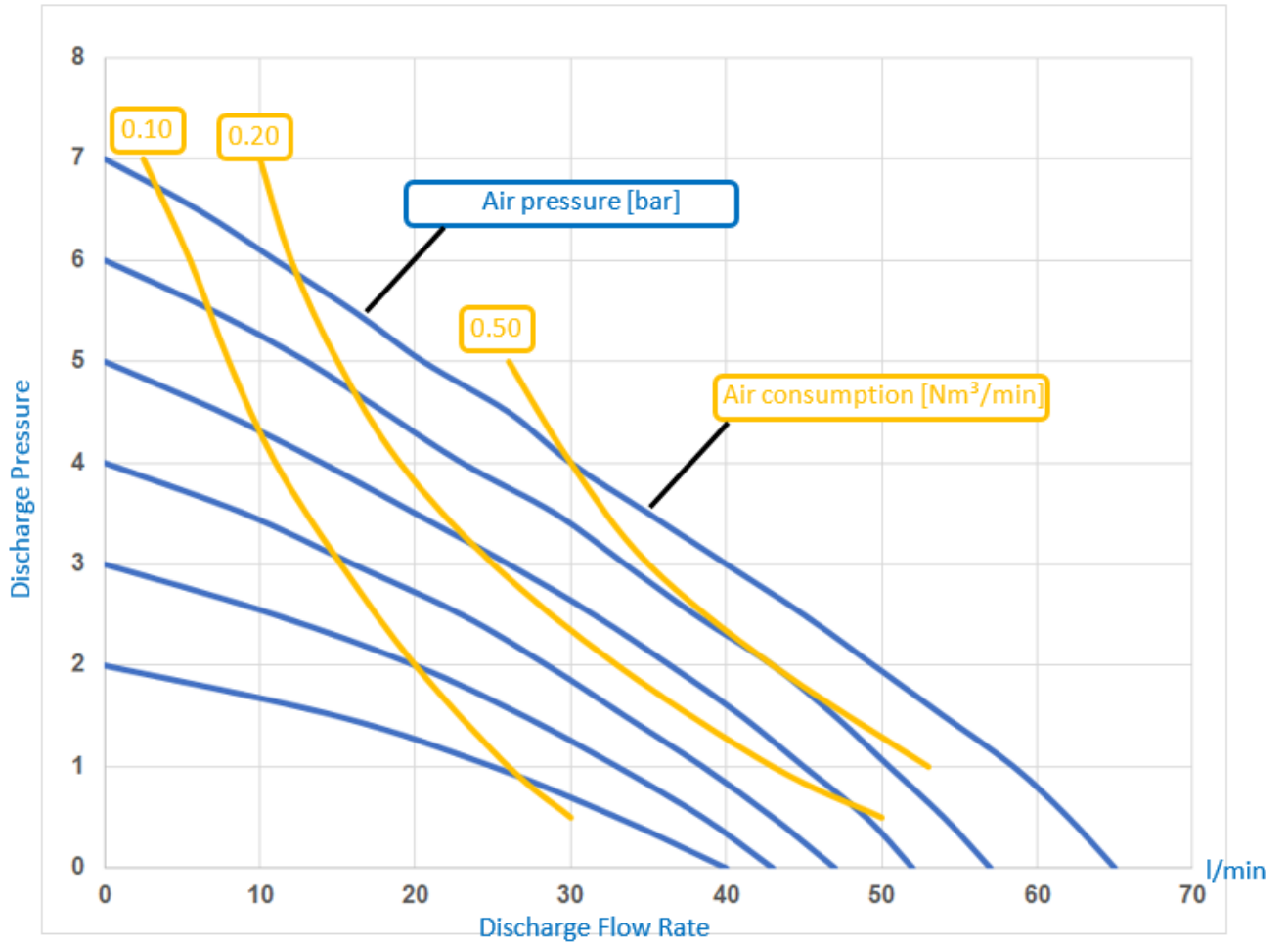


English

CE

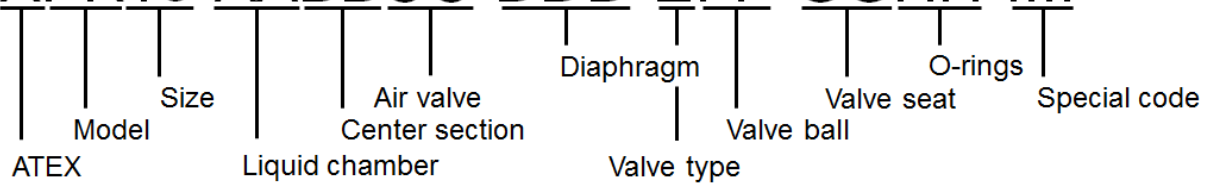
Technical data	PK15 XPK15
Max. flow rate	70 l/min
Max. discharge pressure	7 bar
Connection on the media side	1/2"
Air inlet	G1/4"
Dry suction capacity	5.0 m
Ball material EPDM, NBR, FKM	
Ball material PTFE	4.0 m
Wet suction capacity	9.0 m
Max. solid particle size	6.5 mm
Weight PE	7 kg
Weight PTFE	12 kg
Air pressure	7 bar
Volume per single stroke	0.11 l/Hub





Performance of pump with water at 20°C.

XPK15-AABBCC-DDD-EFF-GGHH-III



Model

PK	Standard
XPK	ATEX

Size – connection nominal width

Nominal	Connection size
15	1/2"

Liquid chamber (In contact with pumping medium)

AA	Material
PE	Polyethylene
TF	PTFE

Center section

BB	Material
PE	Polyethylen

Air valve

CC	Material
PT	PET (Standard)
MV	Solenoid valve
OV	Without valve

Special code

- 000 = BSP thread, side ported
- 001 = NPT thread, side ported
- 002 = DIN flange, side ported
- 003 = ANSI flange, side ported
- 004 = BSP thread, center ported horizontal
- 005 = NPT thread, center ported horizontal
- 006 = DIN flange, center ported horizontal
- 007 = ANSI flange, center ported horizontal
- 008 = BSP thread, center ported vertical
- 009 = NPT thread, center ported vertical

Diaphragm (In contact with pumping medium)

EEE	Material
TEC	PTFE composite membrane with
BNC	NBR composite membrane
EPC	EPDM composite membrane
VTC	FKM composite membrane

Valve type

E	Material
B	Valve ball

Valve ball (In contact with pumping medium)

FF	Material
TF	PTFE
BN	NBR
EP	EPDM
VT	FKM

Valve seat (In contact with pumping medium)

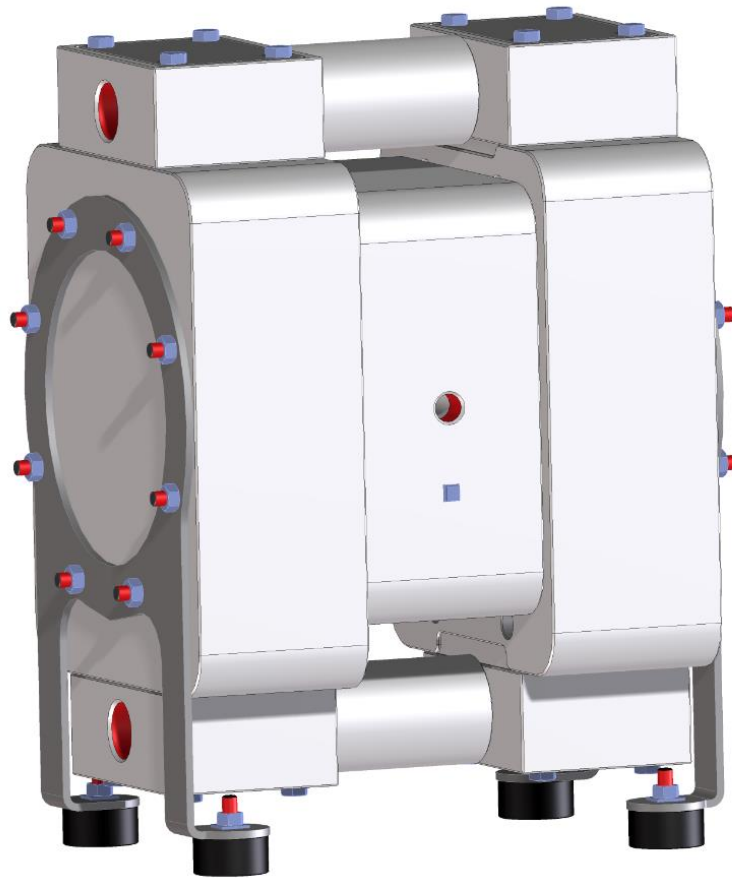
GG	Material
PE	Polyethylene
TF	PTFE

O-rings (In contact with pumping medium)

HH	Material
TF	PTFE
BN	NBR
EP	EPDM
VT	FKM

Datasheet Air Operated Diaphragm Pump

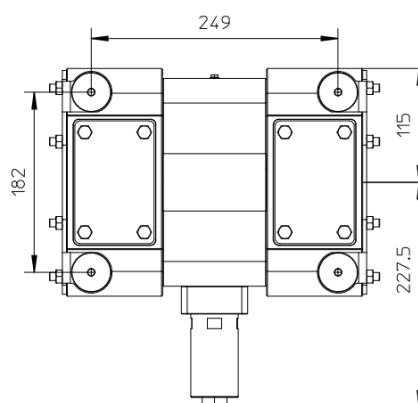
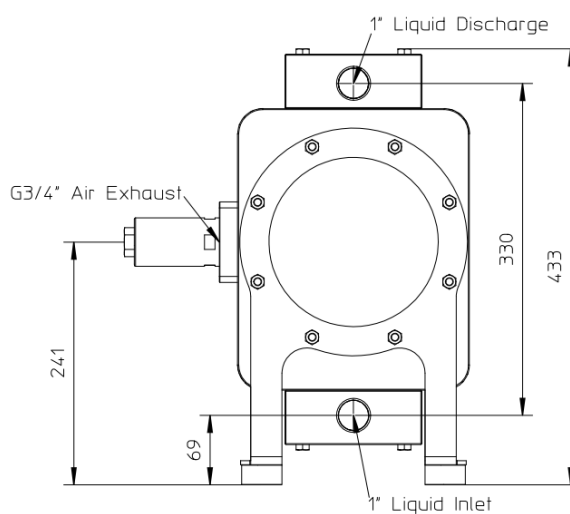
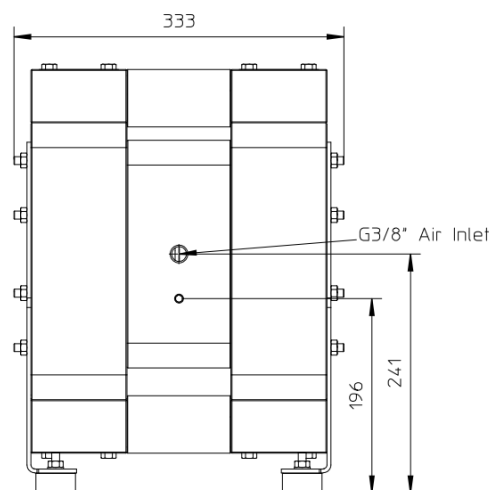
PK25 / XPK25

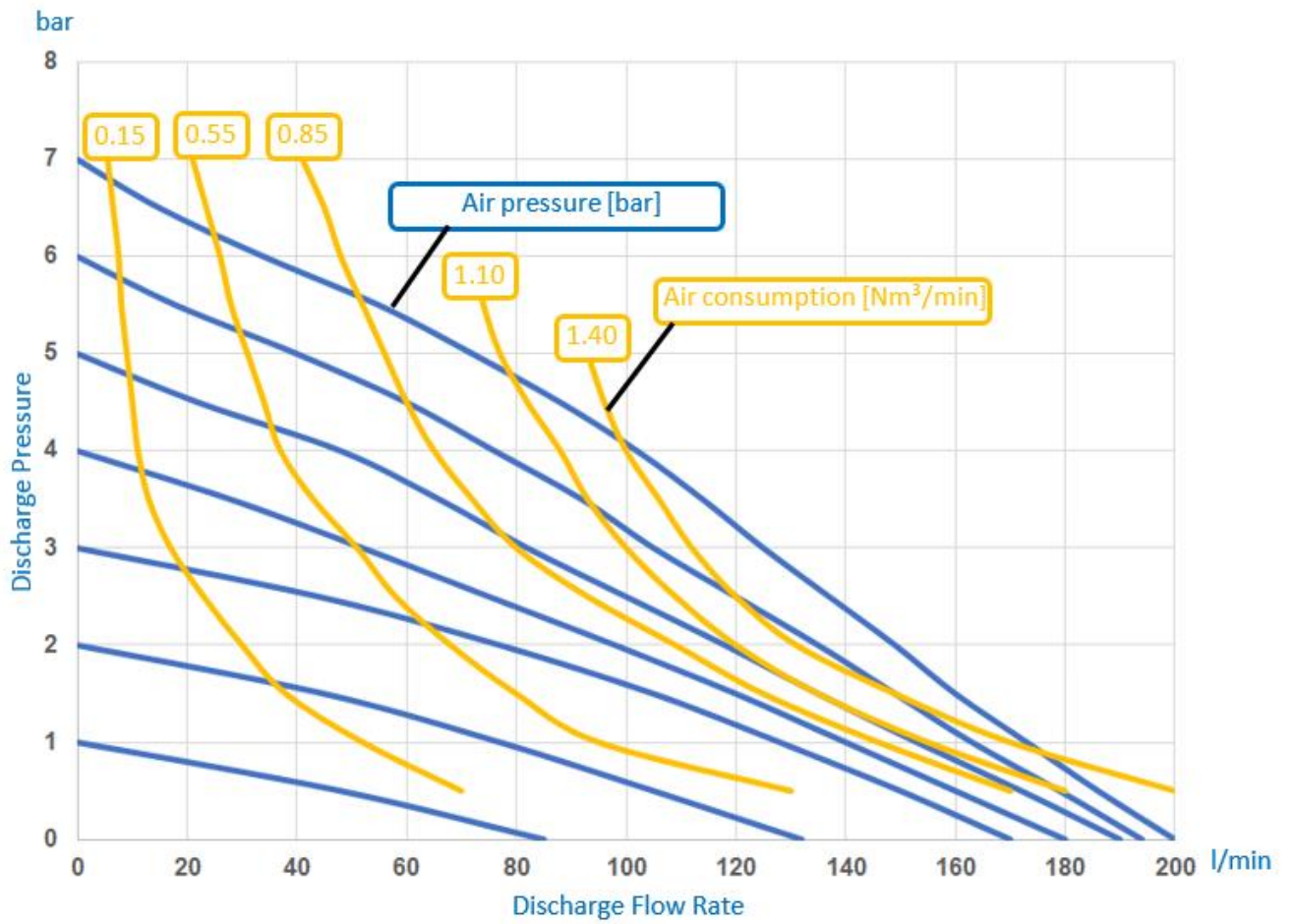


English

CE

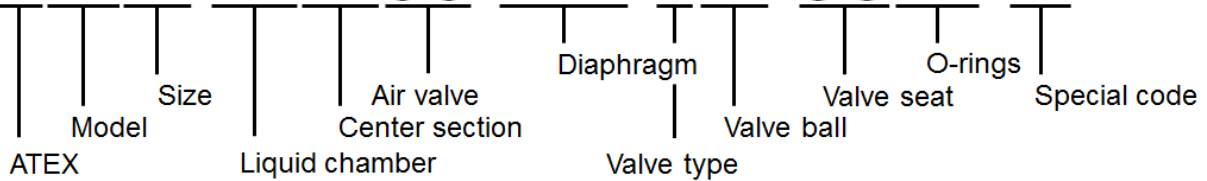
Technical data	PK25 XPK25
Max. flow rate	200 l/min
Max. discharge pressure	7 bar
Connection on the media side	1"
Air inlet	G1/2"
Dry suction capacity	5.5 m
Ball material EPDM, NBR, FKM	
Ball material PTFE	5.0 m
Wet suction capacity	9.0 m
Max. solid particle size	7.5 mm
Weight PE	23 kg
Weight PTFE	43 kg
Air pressure	7 bar
Volume per single stroke	0.33 l/Hub





Performance of pump with water at 20°C.

XPK25-AABBCC-DDD-EFF-GGHH-III



Model

PK	Standard
XPK	ATEX

Size – connection nominal width

Nominal	Connection size
25	1"

Liquid chamber (In contact with pumping medium)

AA	Material
PE	Polyethylene
TF	PTFE

Center section

BB	Material
PE	Polyethylen
TF	PTFE

Air valve

CC	Material
PT	PET (Standard)
MV	Solenoid valve
OV	Without valve

Special code

- 000 = BSP thread, side ported
- 001 = NPT thread, side ported
- 002 = DIN flange, side ported
- 003 = ANSI flange, side ported
- 004 = BSP thread, center ported horizontal
- 005 = NPT thread, center ported horizontal
- 006 = DIN flange, center ported horizontal
- 007 = ANSI flange, center ported horizontal
- 008 = BSP thread, center ported vertical
- 009 = NPT thread, center ported vertical

Diaphragm (In contact with pumping medium)

EEE	Material
TEC	PTFE composite membrane with
BNC	NBR composite membrane
EPC	EPDM composite membrane
VTC	FKM composite membrane

Valve type

E	Material
B	Valve ball

Valve ball (In contact with pumping medium)

FF	Material
TF	PTFE
BN	NBR
EP	EPDM
VT	FKM

Valve seat (In contact with pumping medium)

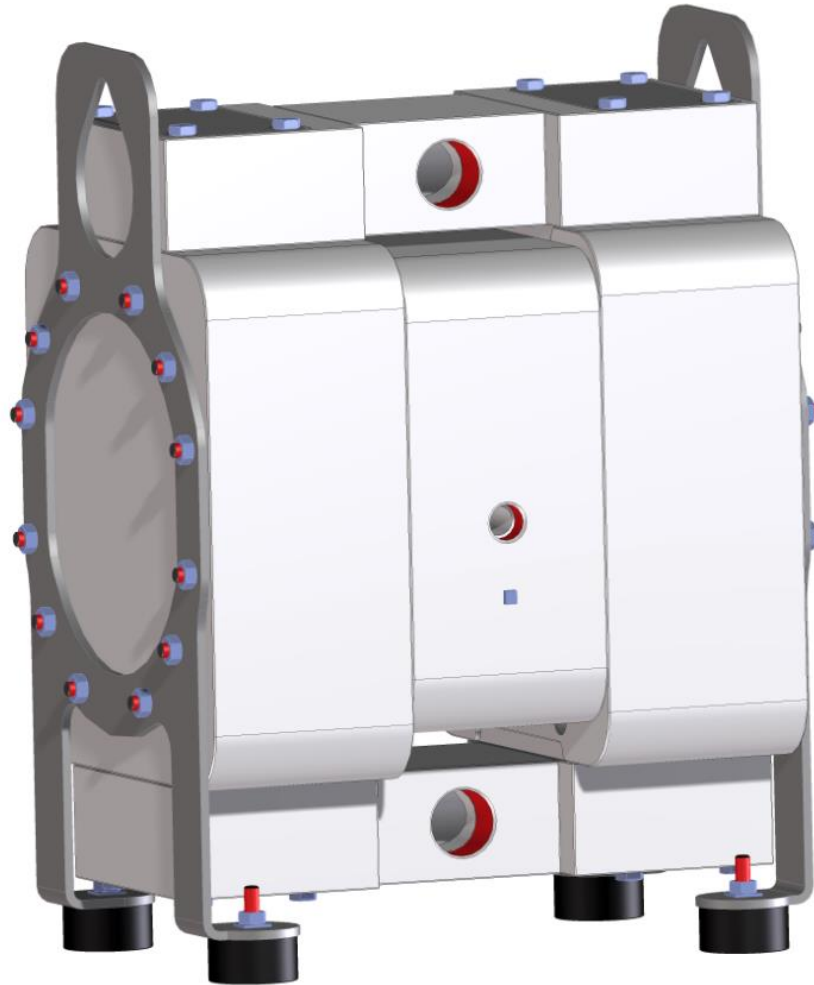
GG	Material
PE	Polyethylene
TF	PTFE

O-rings (In contact with pumping medium)

HH	Material
TF	PTFE
BN	NBR
EP	EPDM
VT	FKM

Datasheet Air Operated Diaphragm Pump

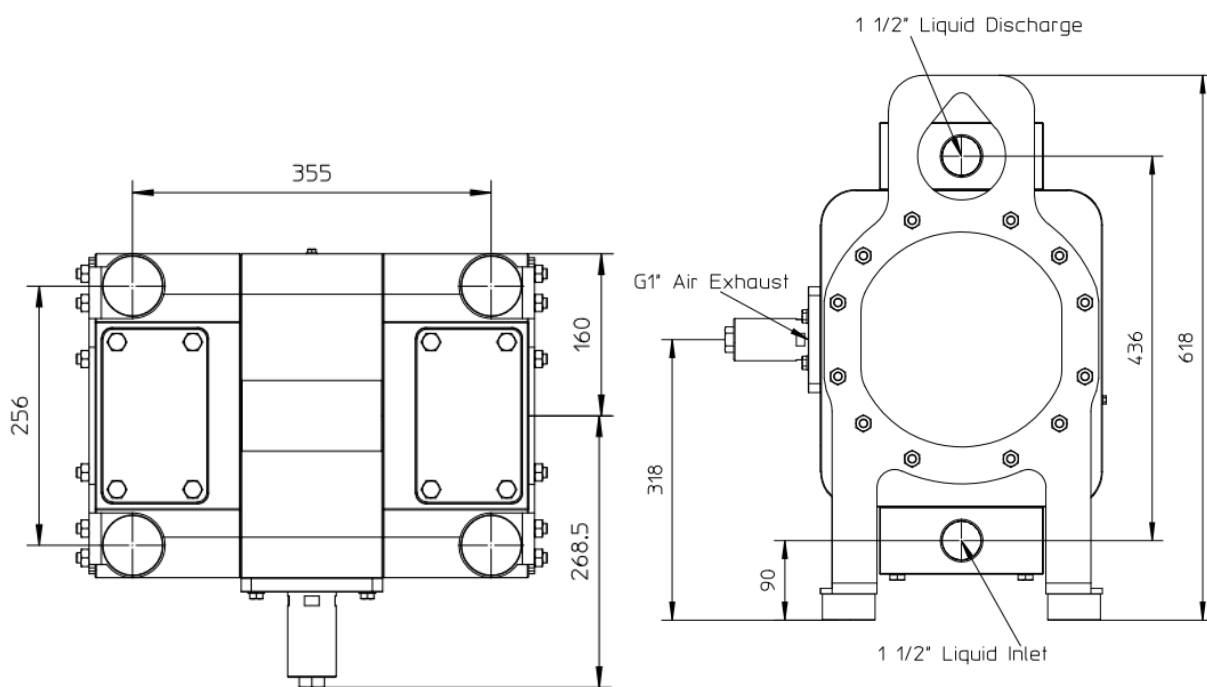
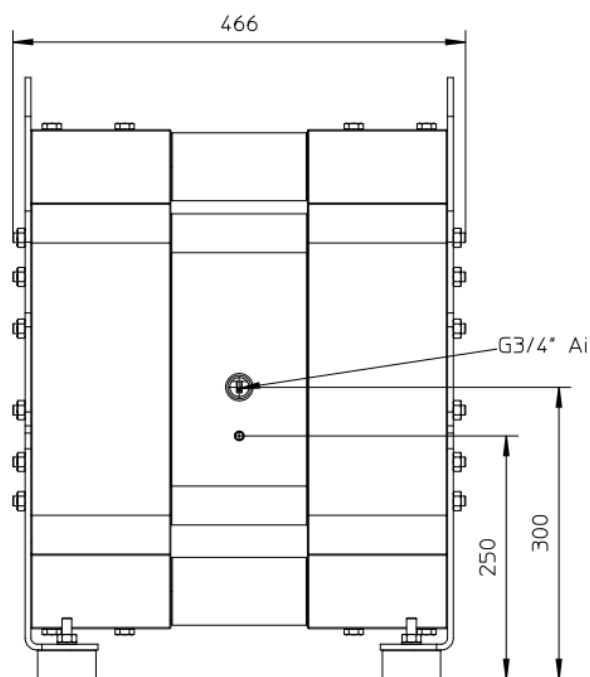
PK40 / XPK40

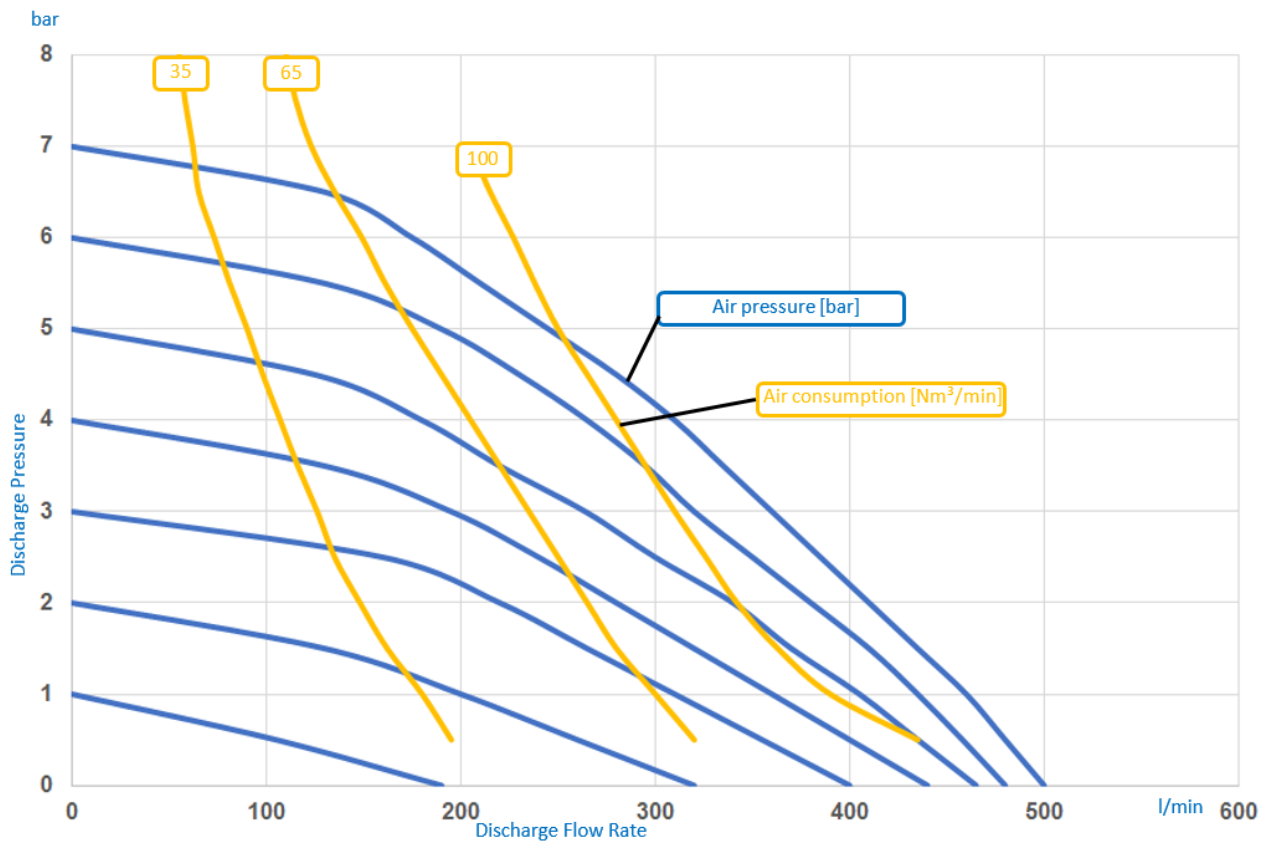


English

CE

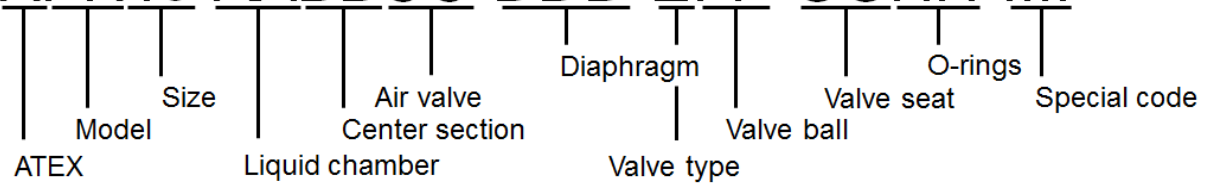
Technical data	PK40 XPK40
Max. flow rate	500 l/min
Max. discharge pressure	7 bar
Connection on the media side	1 1/2"
Air inlet	G3/4"
Dry suction capacity	5.5 m
Ball material EPDM, NBR, FKM	5.5 m
Ball material PTFE	5.0 m
Wet suction capacity	9.0 m
Max. solid particle size	10 mm
Weight PE	58 kg
Weight PTFE	112 kg
Air pressure	7 bar
Volume per single stroke	1.2 l/Hub





Performance of pump with water at 20°C.

XPK40-AABBCC-DDD-EFF-GGHH-III



Model

PK	Standard
XPK	ATEX

Size – connection nominal width

Nominal	Connection size
40	1 1/2"

Liquid chamber (In contact with pumping medium)

AA	Material
PE	Polyethylene
TF	PTFE

Center section

BB	Material
PE	Polyethylen
TF	PTFE

Air valve

CC	Material
PT	PET (Standard)
MV	Solenoid valve
OV	Without valve

Special code

- 004 = BSP thread, center ported horizontal
- 005 = NPT thread, center ported horizontal
- 006 = DIN flange, center ported horizontal
- 007 = ANSI flange, center ported horizontal

Diaphragm (In contact with pumping medium)

EEE	Material
TEC	PTFE composite membrane with
BNC	NBR composite membrane
EPC	EPDM composite membrane
VTC	FKM composite membrane

Valve type

E	Material
B	Valve ball

Valve ball (In contact with pumping medium)

FF	Material
TF	PTFE
BN	NBR
EP	EPDM
VT	FKM

Valve seat (In contact with pumping medium)

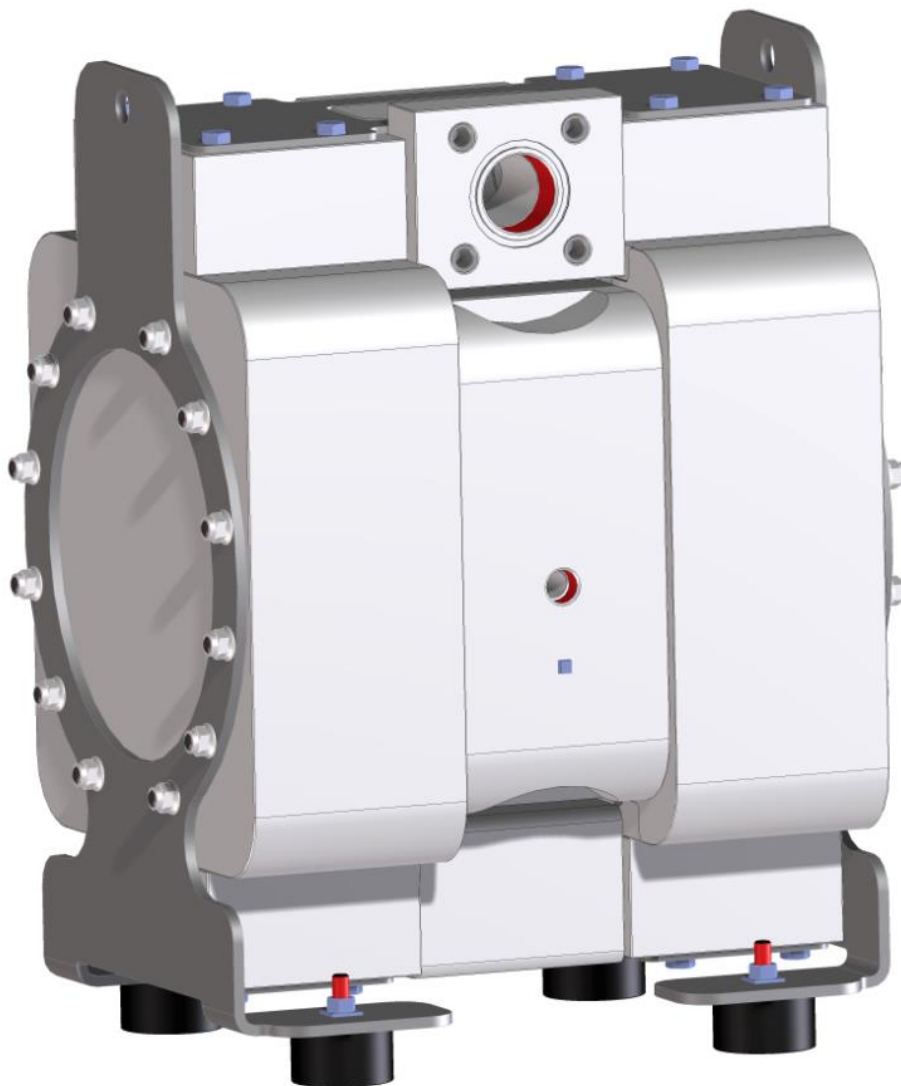
GG	Material
PE	Polyethylene
TF	PTFE

O-rings (In contact with pumping medium)

HH	Material
TF	PTFE
BN	NBR
EP	EPDM
VT	FKM

Datasheet Air Operated Diaphragm Pump

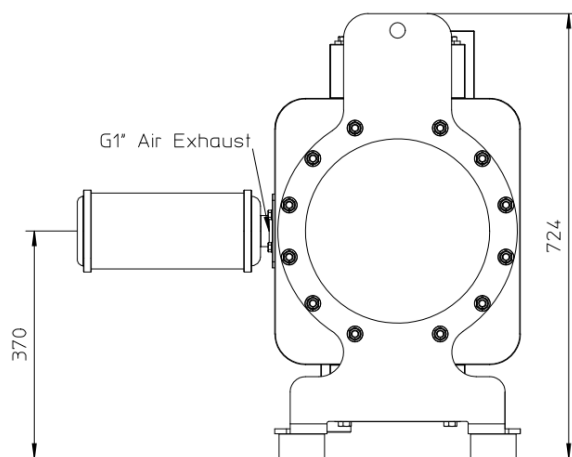
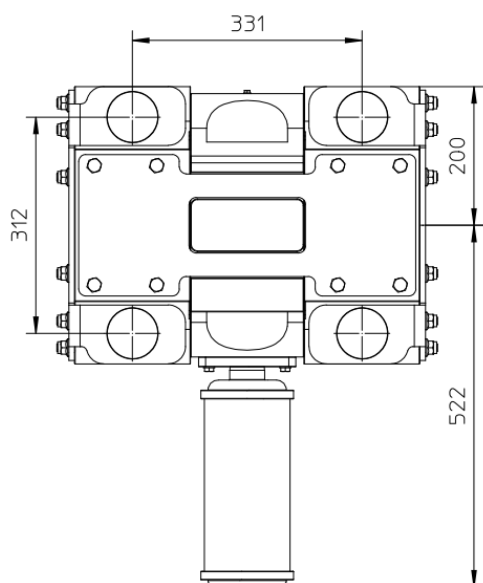
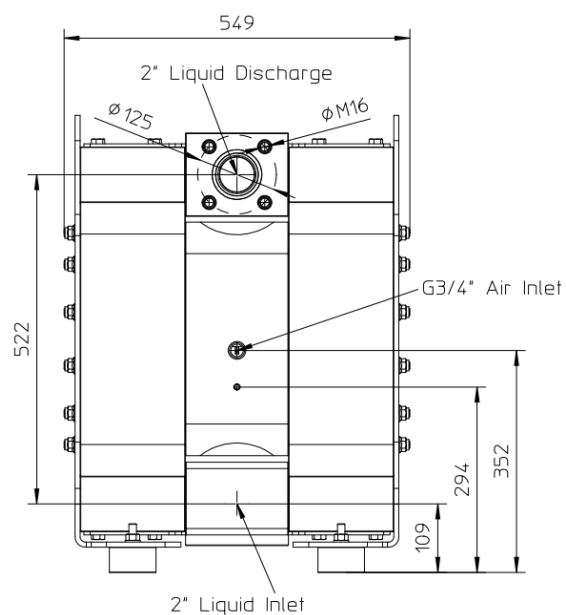
PK50 / XPK50

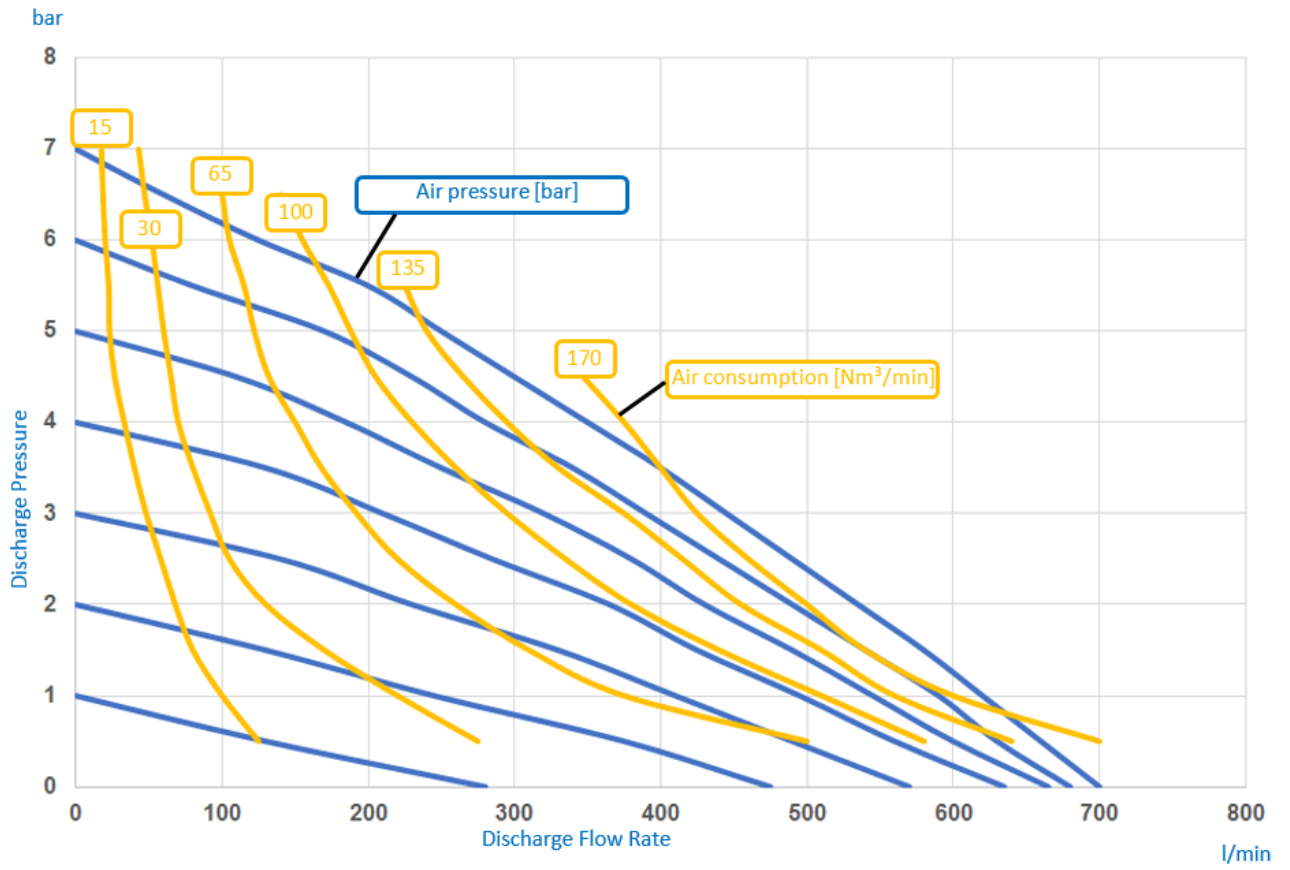


English

CE

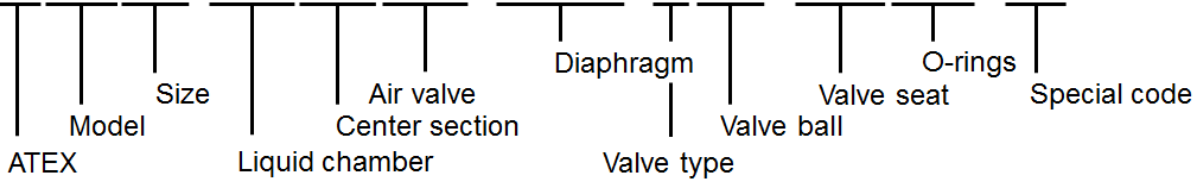
Technical data	PK50 XPK50
Max. flow rate	700 l/min
Max. discharge pressure	7 bar
Connection on the media side	2"
Air inlet	G3/4"
Dry suction capacity	
Ball material EPDM, NBR, FKM	6.5 m
Ball material PTFE	6.0 m
Wet suction capacity	9.0 m
Max. solid particle size	13 mm
Weight PE	120 kg
Weight PTFE	230 kg
Air pressure	7 bar
Volume per single stroke	2.5 l/Hub





Performance of pump with water at 20°C.

XPK50-AABBCC-DDD-EFF-GGHH-III



Model

PK	Standard
XPK	ATEX

Size – connection nominal width

Nominal	Connection size
50	2"

Liquid chamber (In contact with pumping medium)

AA	Material
PE	Polyethylene
TF	PTFE

Center section

BB	Material
PE	Polyethylen

Air valve

CC	Material
PT	PET (Standard)
MV	Solenoid valve
OV	Without valve

Special code

- 004 = BSP thread, center ported horizontal
- 005 = NPT thread, center ported horizontal
- 006 = DIN flange, center ported horizontal
- 007 = ANSI flange, center ported horizontal

Diaphragm (In contact with pumping medium)

EEE	Material
TEC	PTFE composite membrane with
BNC	NBR composite membrane
EPC	EPDM composite membrane
VTC	FKM composite membrane

Valve type

E	Material
B	Valve ball

Valve ball (In contact with pumping medium)

FF	Material
TF	PTFE
BN	NBR
EP	EPDM
VT	FKM

Valve seat (In contact with pumping medium)

GG	Material
PE	Polyethylene
TF	PTFE

O-rings (In contact with pumping medium)

HH	Material
TF	PTFE
BN	NBR
EP	EPDM
VT	FKM