



BEDU
≡ POMPEN ≡

**VERSA-MATIC
PUMP**


1" Bolted Pumps with Plastic Center Sections



Side Discharge



Adjustable Manifolds



Leak Detector Bosses

*Ink Transfer
Chemical Feed
Small Tank Recirculation
Filling Operations
Spray Gun Transfer Applications
Truck and System Lubrication Dispensing*



IDEX
IDEX CORPORATION

E1 1" Bolted Pumps Now with a Plastic Center Section



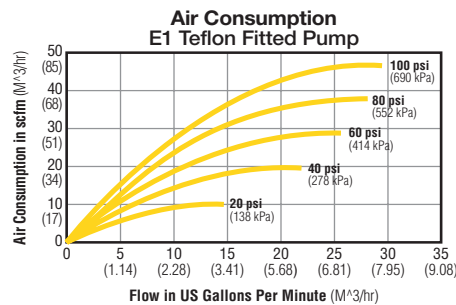
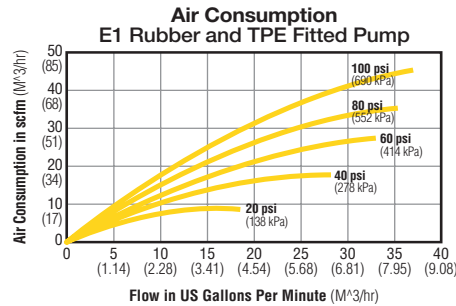
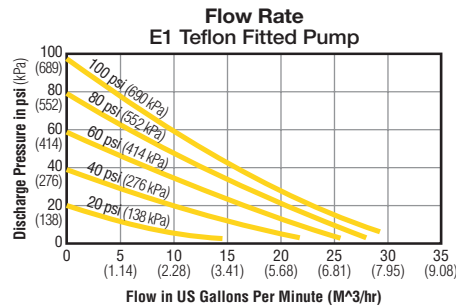
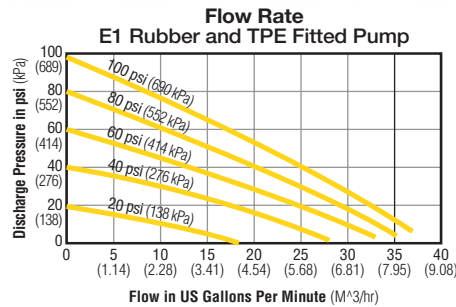
Versa-Matic® Elima-Matic® E1 1" pumps take versatility and reliability to a new level with a redesigned center section and the next generation air valve system. Constructed of plastic, the center section **resists corrosion** from even the most aggressive chemicals, while providing **improved operation** and **ease of maintenance**.

The E1 features the Elima-Matic Air Valve System — now with the new **Shoe-Valve technology**. That means in addition to non-stalling, non-icing, lube-free operation, the E1 virtually **eliminates blow-by** when the pump is on line but not in use.

To find out more about Versa-Matic E1 pumps and accessories, contact your local distributor or visit us at www.versamatic.com.

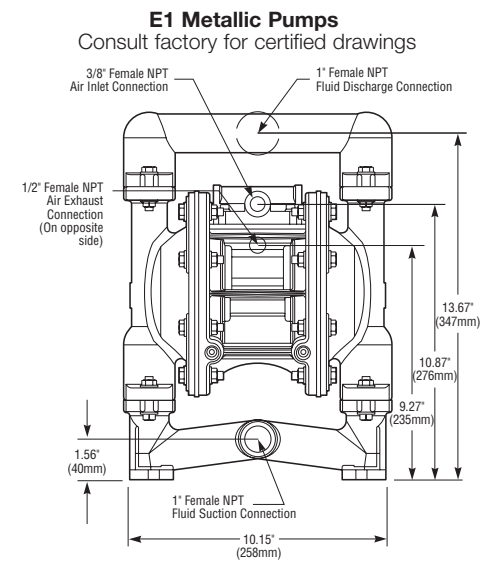
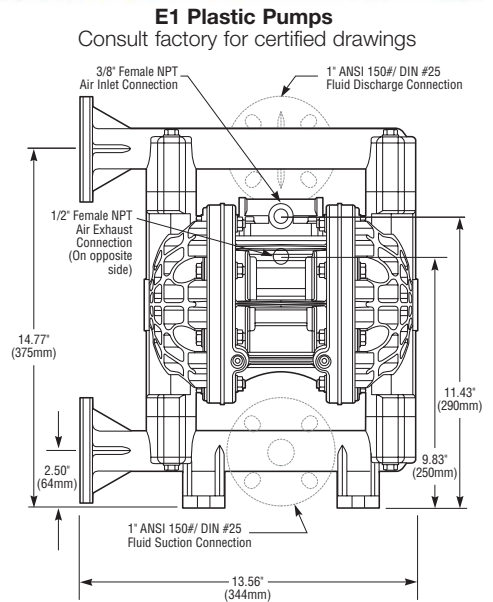
PERFORMANCE

E1



DIMENSIONS

E1



*For E1 pumps fitted with Teflon® diaphragms, reduce water discharge figures by 20%. Suction lift is reduced to 10' (3.05m) dry and 20' (6.10m) wet.

SPECIFICATIONS

E1

	English	Metric
Flow rate		
adjustable to	0-37 gpm	0-142 lpm
Port size	1" 150# ANSI	
Inlet and Outlet	DIN #25 Flange	
Air inlet	0.375" NPTF	
Air exhaust	0.5" NPTF	
Suction lift*		
Dry (Teflon®)	15' (10')	4.57 m (3.05 m)
Wet (Teflon®)	25' (20')	7.62 m (6.09 m)
Max. particle size		
(Dia.)	0.125"	3.17 mm
Shipping weight		
Polypropylene	20.5 lbs	9.30 kg
Kynar®	21.5 lbs	9.75 kg
Aluminum	27.5 lbs	12.5 kg
Stainless Steel	38.5 lbs	17.5 kg
Hastelloy C	38.5 lbs	17.5 kg

Teflon® is a registered trademark of DuPont.
Kynar® is a registered trademark of Penwalt Corp.

VERSA-MATIC® PUMP COMPANY
 A Unit of IDEX Corporation
 6017 Enterprise Drive
 Export, PA 15632-8969
 (724) 327-7867
 Fax: (724) 327-4300
www.versamatic.com



©2002 Versa-Matic Tool, Inc.

VM-0502-1