

SERVICE & OPERATING MANUAL

ORIGINAL INSTRUCTIONS

VTA

Surge Suppressor- Models

VTA1 & VTA25
VTA1½ & VTA40
VTA2 & VTA50
VTA3 & VTA80



Metallic Construction



1: PUMP SPECS

2: INSTAL & OP

3: EXP VIEW

4: WARRANTY



VERSAMATIC®
ACCESSORIES

Safety Information

! IMPORTANT



Read the safety warnings and instructions in this manual before pump installation and start-up. Failure to comply with the recommendations stated in this manual could damage the pump and void factory warranty.



When the pump is used for materials that tend to settle out or solidify, the pump should be flushed after each use to prevent damage. In freezing temperatures the pump should be completely drained between uses.

! CAUTION



Before pump operation, inspect all fasteners for loosening caused by gasket creep. Retighten loose fasteners to prevent leakage. Follow recommended torques stated in this manual.



Nonmetallic pumps and plastic components are not UV stabilized. Ultraviolet radiation can damage these parts and negatively affect material properties. Do not expose to UV light for extended periods of time.



WARNING
Pump not designed, tested or certified to be powered by compressed natural gas. Powering the pump with natural gas will void the warranty.



WARNING
The use of non-OEM replacement parts will void (or negate) agency certifications, including CE, ATEX, CSA, 3A and EC1935 compliance (Food Contact Materials). Warren Rupp, Inc. cannot ensure nor warrant non-OEM parts to meet the stringent requirements of the certifying agencies.

! WARNING



When used for toxic or aggressive fluids, the pump should always be flushed clean prior to disassembly.



Before maintenance or repair, shut off the compressed air line, bleed the pressure, and disconnect the air line from the pump. Be certain that approved eye protection and protective clothing are worn at all times. Failure to follow these recommendations may result in serious injury or death.



Airborne particles and loud noise hazards. Wear eye and ear protection.



In the event of diaphragm rupture, pumped material may enter the air end of the pump, and be discharged into the atmosphere. If pumping a product that is hazardous or toxic, the air exhaust must be piped to an appropriate area for safe containment.



Take action to prevent static sparking. Fire or explosion can result, especially when handling flammable liquids. The pump, piping, valves, containers and other miscellaneous equipment must be properly grounded.

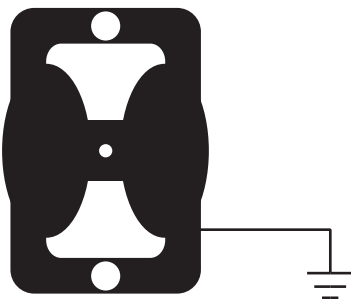


This pump is pressurized internally with air pressure during operation. Make certain that all fasteners are in good condition and are reinstalled properly during reassembly.



Use safe practices when lifting

Grounding ATEX Pumps



ATEX compliant pumps are suitable for use in explosive atmospheres when the equipment is properly grounded in accordance with local electrical codes. Pumps equipped with electrically conductive diaphragms are suitable for the transfer of conductive or non-conductive fluids of any explosion group. When operating pumps equipped with non-conductive diaphragms that exceed the maximum permissible projected area, as defined in EN 13463-1: 2009 section 6.7.5 table 9, the following protection methods must be applied:

- Equipment is always used to transfer electrically conductive fluids or
- Explosive environment is prevented from entering the internal portions of the pump, i.e. dry running

For further guidance on ATEX applications, please consult the factory.



Table of Contents

SECTION 1: SPECIFICATIONS1

- Materials
- Material Codes


SECTION 2: INSTALLATION & OPERATION ...5

- Service and Operating Instructions
- Typical Installation Guide

SECTION 3: EXPLODED VIEW.....7

- Models VTA1 & VTA25 Composite Repair Parts Drawing.....7
 - Composite Repair Parts List
- Models VTA1½ & VTA40 Composite Repair Parts Drawing.....9
 - Composite Repair Parts List
- Models VTA2 & VTA50 Composite Repair Parts Drawing.....11
 - Composite Repair Parts List
- Models VTA3 & VTA80 Composite Repair Parts Drawing.....13
 - Composite Repair Parts List

SECTION 4: WARRANTY & CERTIFICATES ..15

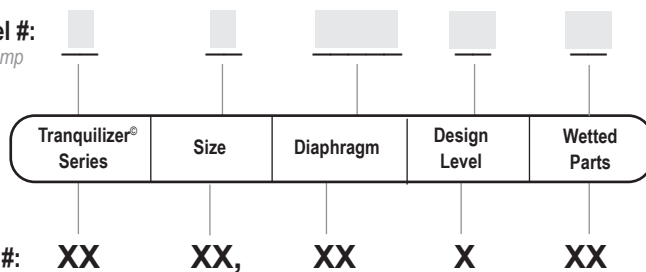
- Warranty
- EC Declaration of Conformity - Machinery
- EC Declaration of Conformity - ATEX
-  • EC Declaration of Conformity - EC Regulation 1935/2004/EC



Explanation of Nomenclature

Your Model #:

(fill in from pump nameplate)



Tranquillizer Series

VTA Tranquillizer

Size

- 1 1" NPT
- 25 1" BSP Tapered
- 1½ 1½" NPT
- 40 1½" BSP Tapered
- 2 2" NPT
- 50 2" BSP Tapered
- 3 3" NPT
- 80 3" BSP Tapered

Diaphragm Materials

- B Nitrile
- F FDA Accepted White Nitrile
- NG Neoprene Backup with PTFE Overlay
- H Hytrel
- I EPDM
- N Neoprene
- S Santoprene
- V FKM

Design Level

- 1 Models: VTA1, VTA25, VTA1½, VTA40
- 2 Models: VTA2, VTA50, VTA3, VTA80

Wetted Parts

- A Aluminum
- CI Cast Iron
- SS Stainless Steel
- HC Alloy-C Wetted

Your Serial #: (fill in from pump nameplate) _____

ATEX Detail



II 2G c T5
II 2D Dc T100°C



Models equipped with stainless steel wetted parts (option **SS**) and PTFE diaphragms (option **NG**) are compliant with (EC) No 1935/2004 Food Contact Materials

Table 1. Category 1 & Category 2 ATEX Rated Pumps

Ambient Temperature Range [°C]	Process Temperature Range [°C] ¹	Temperature Class	Maximum Surface Temperature [°C]
-20°C to +60°C	-20°C to +80°C	T5	T100°C
	-20°C to +108°C	T4	T135°C
	-20°C to +160°C	T3	T200°C
	-20°C to +177°C	(225°C) T2	



Materials

Material Profile:	Operating Temperatures:	
	Max.	Min.
CAUTION! Operating temperature limitations are as follows:		
Conductive Acetal: Tough, impact resistant, ductile. Good abrasion resistance and low friction surface. Generally inert, with good chemical resistance except for strong acids and oxidizing agents.	190°F 88°C	-20°F -29°C
EPDM: Shows very good water and chemical resistance. Has poor resistance to oils and solvents, but is fair in ketones and alcohols.	280°F 138°C	-40°F -40°C
FKM: (Fluorocarbon) Shows good resistance to a wide range of oils and solvents; especially all aliphatic, aromatic and halogenated hydrocarbons, acids, animal and vegetable oils. Hot water or hot aqueous solutions (over 70°F) will attack FKM.	350°F 177°C	-40°F -40°C
Hytrel®: Good on acids, bases, amines and glycols at room temperatures only.	220°F 104°C	-20°F -29°C
Neoprene: All purpose. Resistance to vegetable oils. Generally not affected by moderate chemicals, fats, greases and many oils and solvents. Generally attacked by strong oxidizing acids, ketones, esters and nitro hydrocarbons and chlorinated aromatic hydrocarbons.	200°F 93°C	-10°F -23°C
Nitrile: General purpose, oil-resistant. Shows good solvent, oil, water and hydraulic fluid resistance. Should not be used with highly polar solvents like acetone and MEK, ozone, chlorinated hydrocarbons and nitro hydrocarbons.	190°F 88°C	-10°F -23°C
Nylon: 6/6 High strength and toughness over a wide temperature range. Moderate to good resistance to fuels, oils and chemicals.	180°F 82°C	32°F 0°C

Polypropylene: A thermoplastic polymer. Moderate tensile and flex strength. Resists strong acids and alkali. Attacked by chlorine, fuming nitric acid and other strong oxidizing agents.	180°F 82°C	32°F 0°C
PVDF: (Polyvinylidene Fluoride) A durable fluoroplastic with excellent chemical resistance. Excellent for UV applications. High tensile strength and impact resistance.	250°F 121°C	0°F -18°C
Santoprene®: Injection molded thermoplastic elastomer with no fabric layer. Long mechanical flex life. Excellent abrasion resistance.	275°F 135°C	-40°F -40°C
UHMW PE: A thermoplastic that is highly resistant to a broad range of chemicals. Exhibits outstanding abrasion and impact resistance, along with environmental stress-cracking resistance.	180°F 82°C	-35°F -37°C
Urethane: Shows good resistance to abrasives. Has poor resistance to most solvents and oils.	150°F 66°C	32°F 0°C
Virgin PTFE: (PFA/TFE) Chemically inert, virtually impervious. Very few chemicals are known to chemically react with PTFE; molten alkali metals, turbulent liquid or gaseous fluorine and a few fluoro-chemicals such as chlorine trifluoride or oxygen difluoride which readily liberate free fluorine at elevated temperatures.	220°F 104°C	-35°F -37°C
<i>Maximum and Minimum Temperatures are the limits for which these materials can be operated. Temperatures coupled with pressure affect the longevity of diaphragm pump components. Maximum life should not be expected at the extreme limits of the temperature ranges.</i>		
Metals:		
Alloy C: Equal to ASTM494 CW-12M-1 specification for nickel and nickel alloy.		
Stainless Steel: Equal to or exceeding ASTM specification A743 CF-8M for corrosion resistant iron chromium, iron chromium nickel and nickel based alloy castings for general applications. Commonly referred to as 316 Stainless Steel in the pump industry.		

For specific applications, always consult the Chemical Resistance Chart.

Note: This document is a high level guide. Please be aware that not all model and or material combinations are possible for all sizes. Please consult factory or your distributor for specific details.



Material Codes - The Last 3 Digits of Part Number

000.....Assembly, sub-assembly; and some purchased items	364.....EPDM Rubber Color coded: BLUE
010.....Cast Iron	365.....Neoprene Rubber Color coded: GREEN
015.....Ductile Iron	366.....Food Grade Nitrile
020.....Ferritic Malleable Iron	368.....Food Grade EPDM
080.....Carbon Steel, AISI B-1112	371.....Philthane (Tuftane)
110.....Alloy Type 316 Stainless Steel	374.....Carboxylated Nitrile
111.....Alloy Type 316 Stainless Steel (Electro Polished)	375.....Fluorinated Nitrile
112.....Alloy C	378.....High Density Polypropylene
113.....Alloy Type 316 Stainless Steel (Hand Polished)	379.....Conductive Nitrile
114.....303 Stainless Steel	408.....Cork and Neoprene
115.....302/304 Stainless Steel	425.....Compressed Fibre
117.....440-C Stainless Steel (Martensitic)	426.....Blue Gard
120.....416 Stainless Steel (Wrought Martensitic)	440.....Vegetable Fibre
148.....Hardcoat Anodized Aluminum	500.....Delrin® 500
150.....6061-T6 Aluminum	502.....Conductive Acetal, ESD-800
152.....2024-T4 Aluminum (2023-T351)	503.....Conductive Acetal, Glass-Filled
155.....356-T6 Aluminum	506.....Delrin® 150
156.....356-T6 Aluminum	520.....Injection Molded PVDF Natural color
157.....Die Cast Aluminum Alloy #380	540.....Nylon
158.....Aluminum Alloy SR-319	542.....Nylon
162.....Brass, Yellow, Screw Machine Stock	544.....Nylon Injection Molded
165.....Cast Bronze, 85-5-5-5	550.....Polyethylene
166.....Bronze, SAE 660	551.....Glass Filled Polypropylene
170.....Bronze, Bearing Type, Oil Impregnated	552.....Unfilled Polypropylene
180.....Copper Alloy	555.....Polyvinyl Chloride
305.....Carbon Steel, Black Epoxy Coated	556.....Black Vinyl
306.....Carbon Steel, Black PTFE Coated	558.....Conductive HDPE
307.....Aluminum, Black Epoxy Coated	570.....Rulon II®
308.....Stainless Steel, Black PTFE Coated	580.....Ryton®
309.....Aluminum, Black PTFE Coated	600.....PTFE (virgin material) Tetrafluorocarbon (TFE)
313.....Aluminum, White Epoxy Coated	603.....Blue Gylon®
330.....Zinc Plated Steel	604.....PTFE
332.....Aluminum, Electroless Nickel Plated	606.....PTFE
333.....Carbon Steel, Electroless Nickel Plated	607.....Envelon
335.....Galvanized Steel	608.....Conductive PTFE
337.....Silver Plated Steel	610.....PTFE Encapsulated Silicon
351.....Food Grade Santoprene®	611.....PTFE Encapsulated FKM
353.....Geolast; Color: Black	632.....Neoprene/Hytrel®
354.....Injection Molded #203-40 Santoprene® Duro 40D +/-5; Color: RED	633.....FKM/PTFE
356.....Hytrel®	634.....EPDM/PTFE
357.....Injection Molded Polyurethane	635.....Neoprene/PTFE
358.....Urethane Rubber (Some Applications) (Compression Mold)	637.....PTFE, FKM/PTFE
359.....Urethane Rubber	638.....PTFE, Hytrel®/PTFE
360.....Nitrile Rubber Color coded: RED	639.....Nitrile/TFE
363.....FKM (Fluorocarbon) Color coded: YELLOW	643.....Santoprene®/EPDM
	644.....Santoprene®/PTFE
	656.....Santoprene® Diaphragm and Check Balls/EPDM Seats
	661.....EPDM/Santoprene®
	666.....FDA Nitrile Diaphragm, PTFE Overlay, Balls, and Seals
	668.....PTFE, FDA Santoprene®/PTFE

- Delrin and Hytrel are registered tradenames of E.I. DuPont.
- Nylatron is a registered tradename of Polymer Corp.
- Gylon is a registered tradename of Garlock, Inc.
- Santoprene is a registered tradename of Exxon Mobil Corp.
- Rulon II is a registered tradename of Dixon Industries Corp.
- Ryton is a registered tradename of Phillips Chemical Co.
- Valox is a registered tradename of General Electric Co.



SERVICE AND OPERATING INSTRUCTIONS

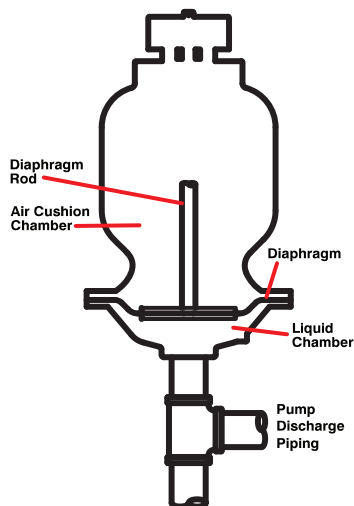
This Versamatic Surge Suppressor is a completely automatic diaphragm fitted surge suppressor to reduce the flow and pressure pulsations in a pumping system characteristic of reciprocating type pumps.

Principle of Operation: The Surge Suppressor uses a flexible diaphragm to separate a liquid chamber from compressed air chambers. A rod connected to the center of one diaphragm activates the air inlet and exhaust valves, which automatically admit or exhaust air in the air chambers. This maintains the diaphragms in mid-range of stroke for maximum surge suppression.

Installation: Locate the Surge Suppressor in discharge piping as close as possible to the pump. The unit will operate in any position. Connect air inlet connection to full plant air supply line before the air regulator to pump. Not to exceed 125PSI.

Service Instructions: When service is required, it is important to MAKE CERTAIN THAT INLET AIR PRESSURE IS DISCONNECTED. The diaphragms are serviced by simply removing the hex nuts or v-band, and removing the center spool casting. When Virgin PTFE diaphragms are used in conjunction with the elastomeric diaphragms they are placed over the "wetted" sides of each elastomeric diaphragm. Inlet and exhaust air valves are located externally for easy access and service.

Warranty: This unit is guaranteed for a period of five years against defective material and workmanship.



IMPORTANT

Read these safety warnings and instructions in this manual completely, before installation and start-up of the pulsation dampener.

It is the responsibility of the purchaser to retain this manual for reference. Failure to comply with the recommendations stated in this manual will damage the pulsation dampener, and void factory warranty.



CAUTION

Before surge suppressor operation, inspect all gasketed fasteners for looseness caused by gasket creep. Re-torque loose fasteners to prevent leakage. Follow recommended torques stated in this manual.



WARNING

Before doing any maintenance on the pulsation dampener, be certain all pressure is completely vented from the pump, suction, discharge, piping, and all other openings and connections. Be certain the air supply is locked out or made non-operational, so that it cannot be started while work is being done on the pump. Be certain that approved eye protection and protective clothing are worn all times in the vicinity of the pump. Failure to follow these recommendations may result in serious injury or death.



WARNING

Take action to prevent static sparking. Fire or explosion can result, especially when handling flammable liquids. The pump, piping, valves, containers or other miscellaneous equipment must be grounded. See page 8.

HAZARD WARNING

POSSIBLE EXPLOSION HAZARD can result if 1, 1, 1, -Trichloroethane, Methylene Chloride or other Halogenated Hydrocarbon solvents are used in pressurized fluid systems having Aluminum or Galvanized wetted parts. Death, serious bodily injury and/or property damage could result. Consult with the factory if you have questions concerning Halogenated Hydrocarbon solvents.

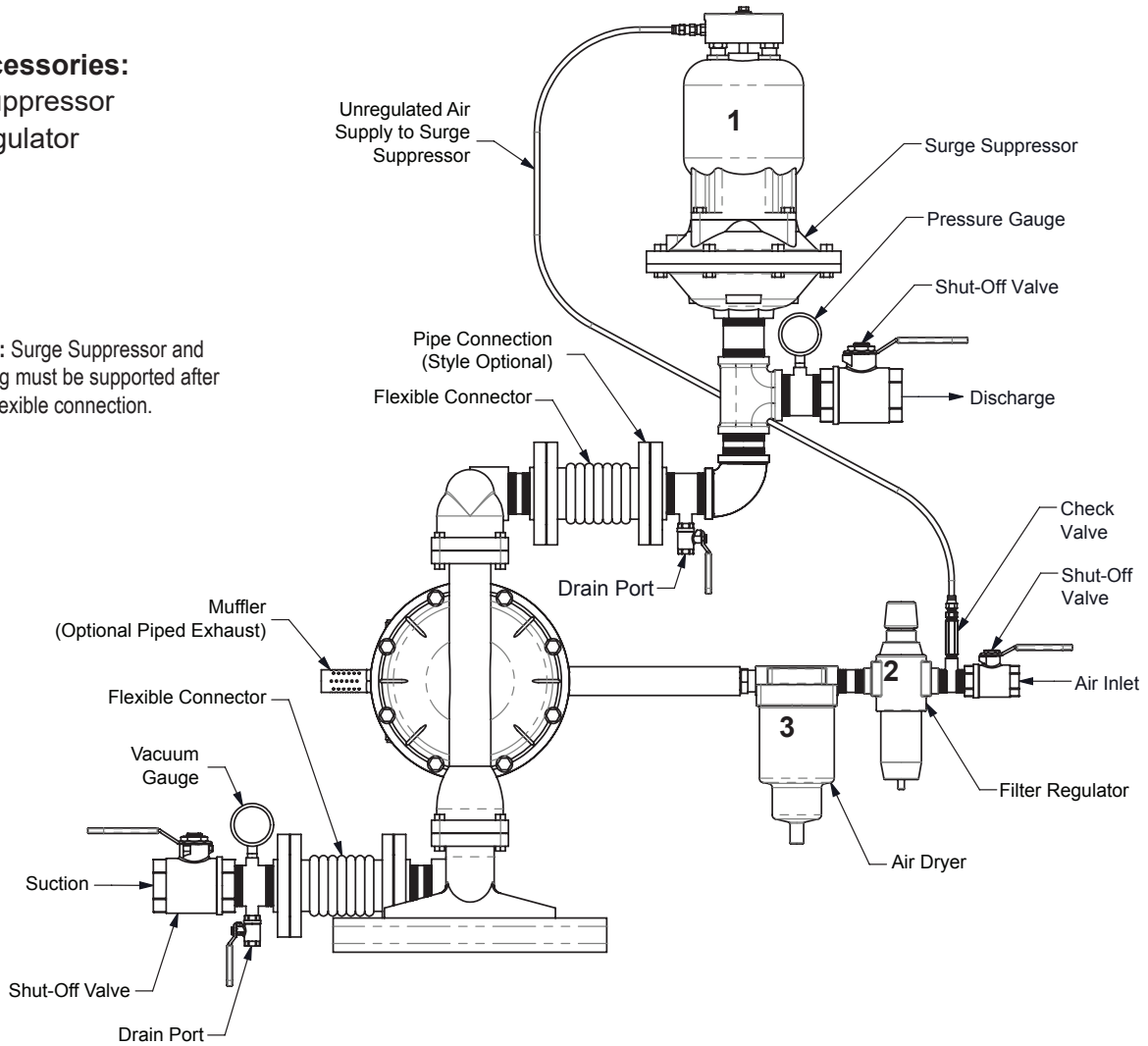


Recommended Installation Guide

Available Accessories:

1. Surge Suppressor
2. Filter/Regulator
3. Air Dryer

Note: Surge Suppressor and Piping must be supported after the flexible connection.



Installation And Start-Up

Locate the pump as close to the product being pumped as possible. Keep the suction line length and number of fittings to a minimum. Do not reduce the suction line diameter.

Air Supply

Connect the pump air inlet to an air supply with sufficient capacity and pressure to achieve desired performance. A pressure regulating valve should be installed to insure air supply pressure does not exceed recommended limits.

Air Valve Lubrication

The air distribution system is designed to operate WITHOUT lubrication. This is the standard mode of operation. If lubrication is desired, install an air line lubricator set to deliver one drop of SAE 10 non-detergent oil for every 20 SCFM (9.4 liters/sec.) of air the pump consumes. Consult the Performance Curve to determine air consumption.

Air Line Moisture

Water in the compressed air supply may cause icing or freezing of the exhaust air, causing the pump to cycle erratically or stop operating. Water in the air supply can be reduced by using a point-of-use air dryer.

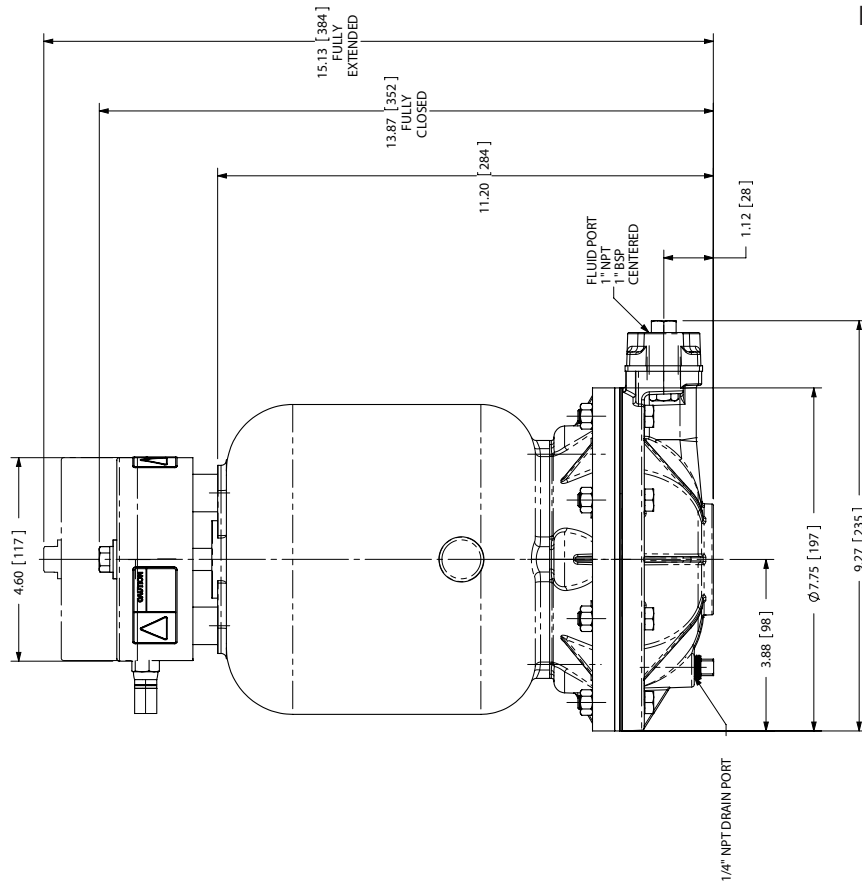
Air Inlet And Priming

To start the pump, slightly open the air shut-off valve. After the pump primes, the air valve can be opened to increase air flow as desired. If opening the valve increases cycling rate, but does not increase the rate of flow, cavitation has occurred. The valve should be closed slightly to obtain the most efficient air flow to pump flow ratio.

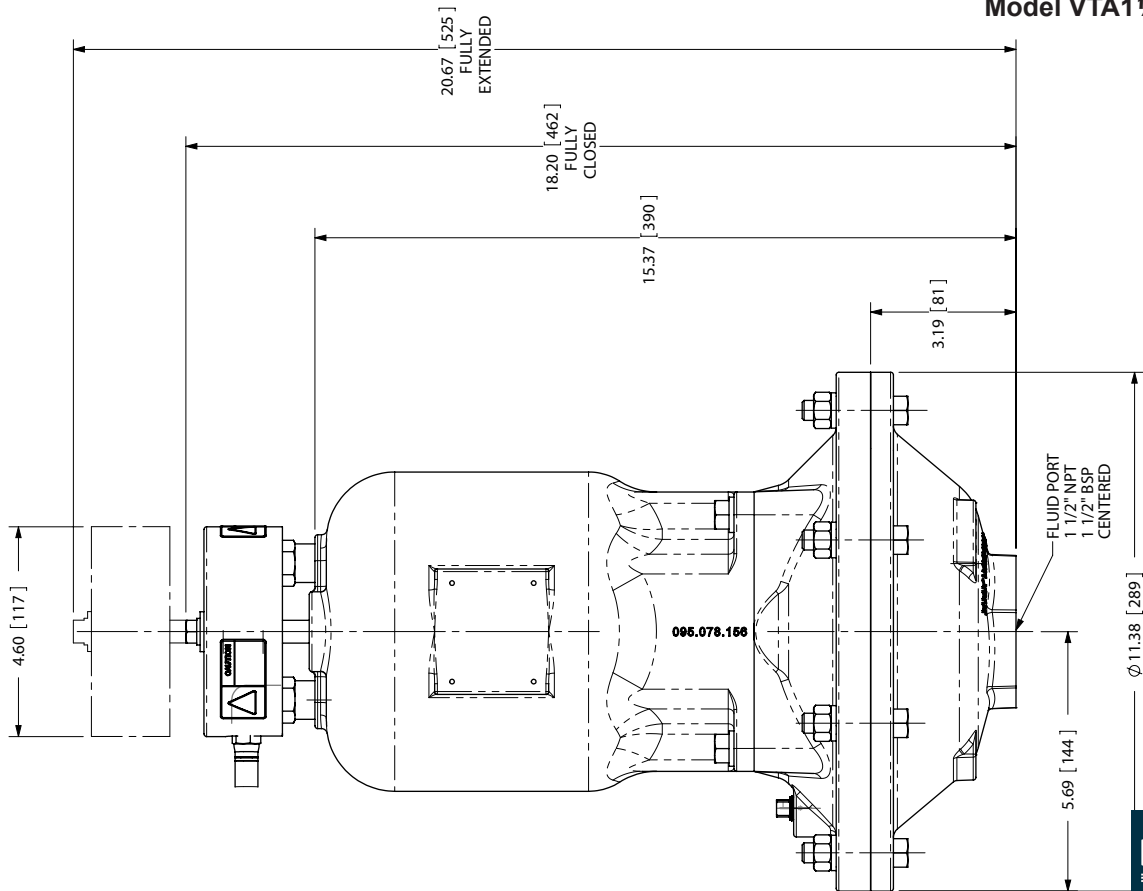
Dimensional Drawings

Dimensions are $\pm 1/8"$ ($\pm 3\text{mm}$). Figures in parenthesis = millimeters

Model VTA1 & VTA25



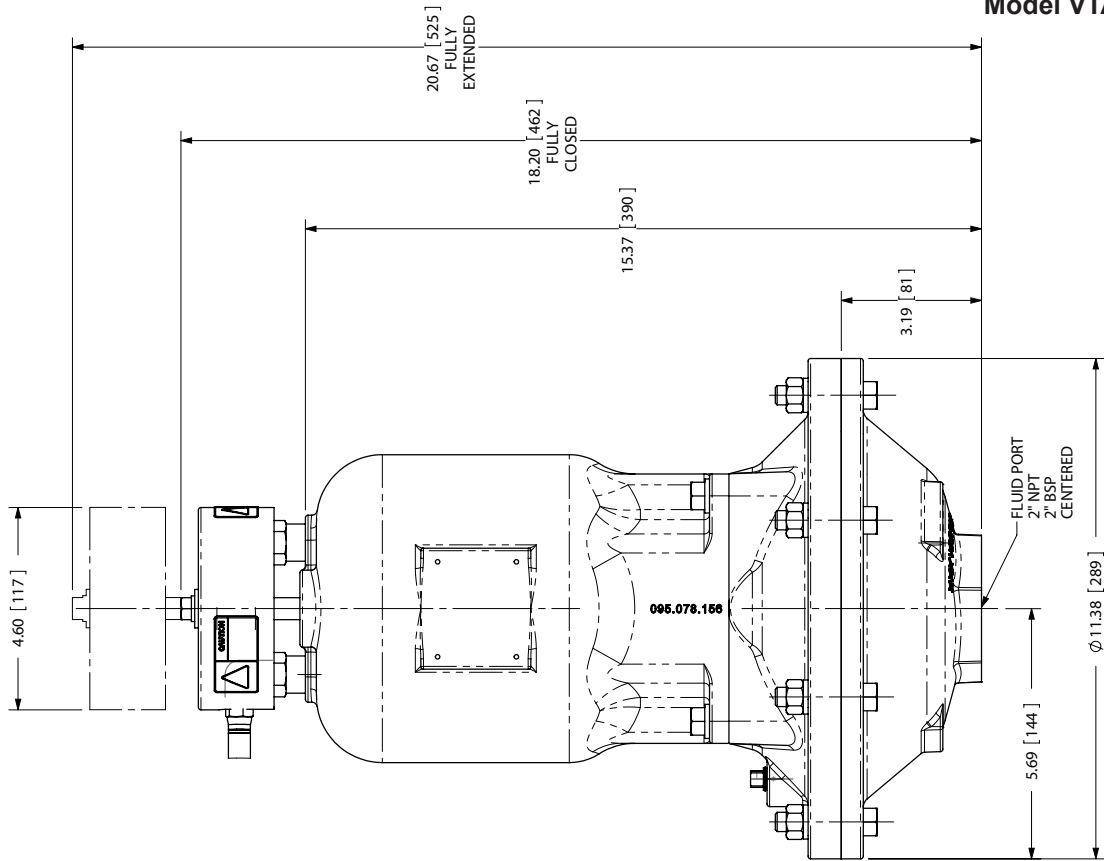
Model VTA1½ & VTA40



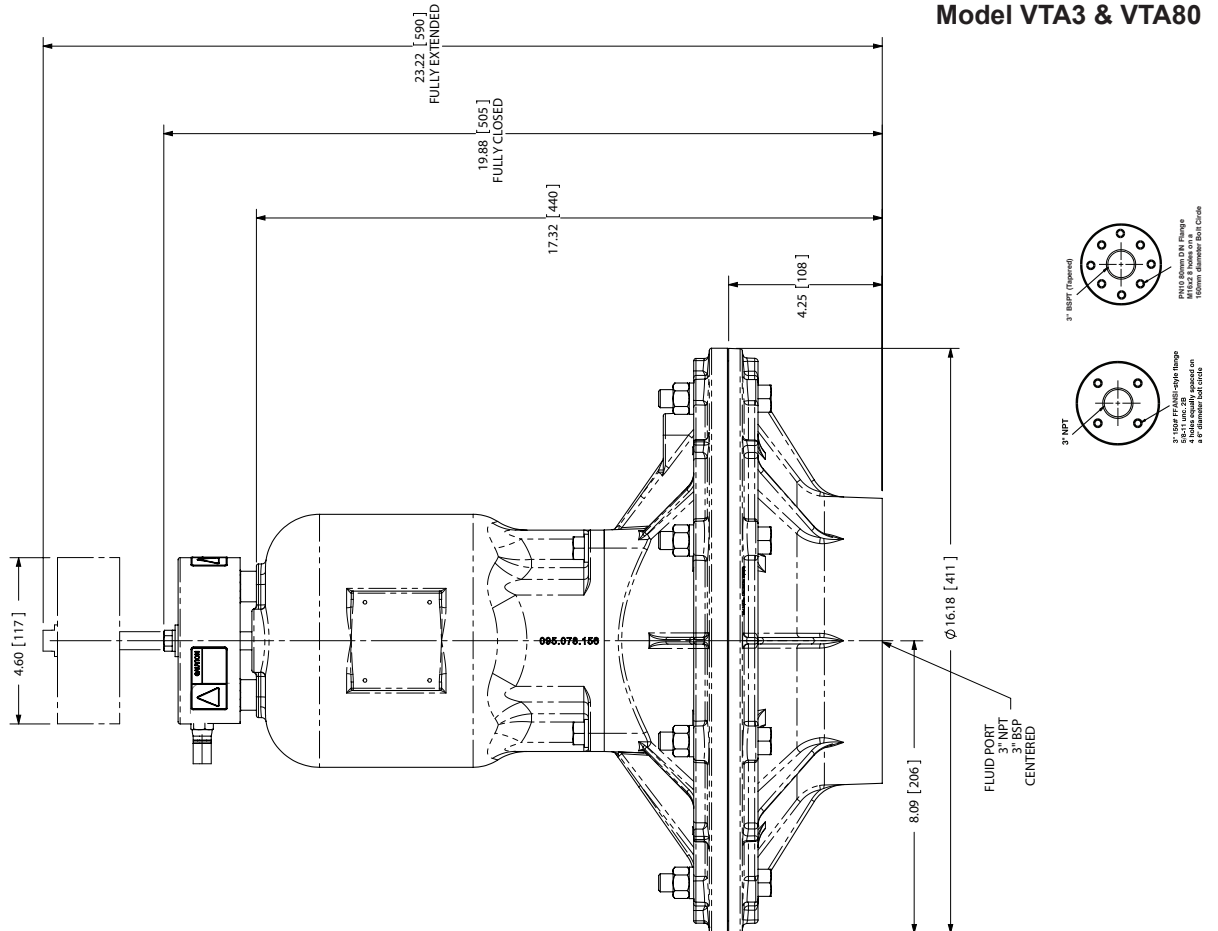
Dimensional Drawings

Dimensions are ± 1/8" (± 3mm). Figures in parenthesis = millimeters

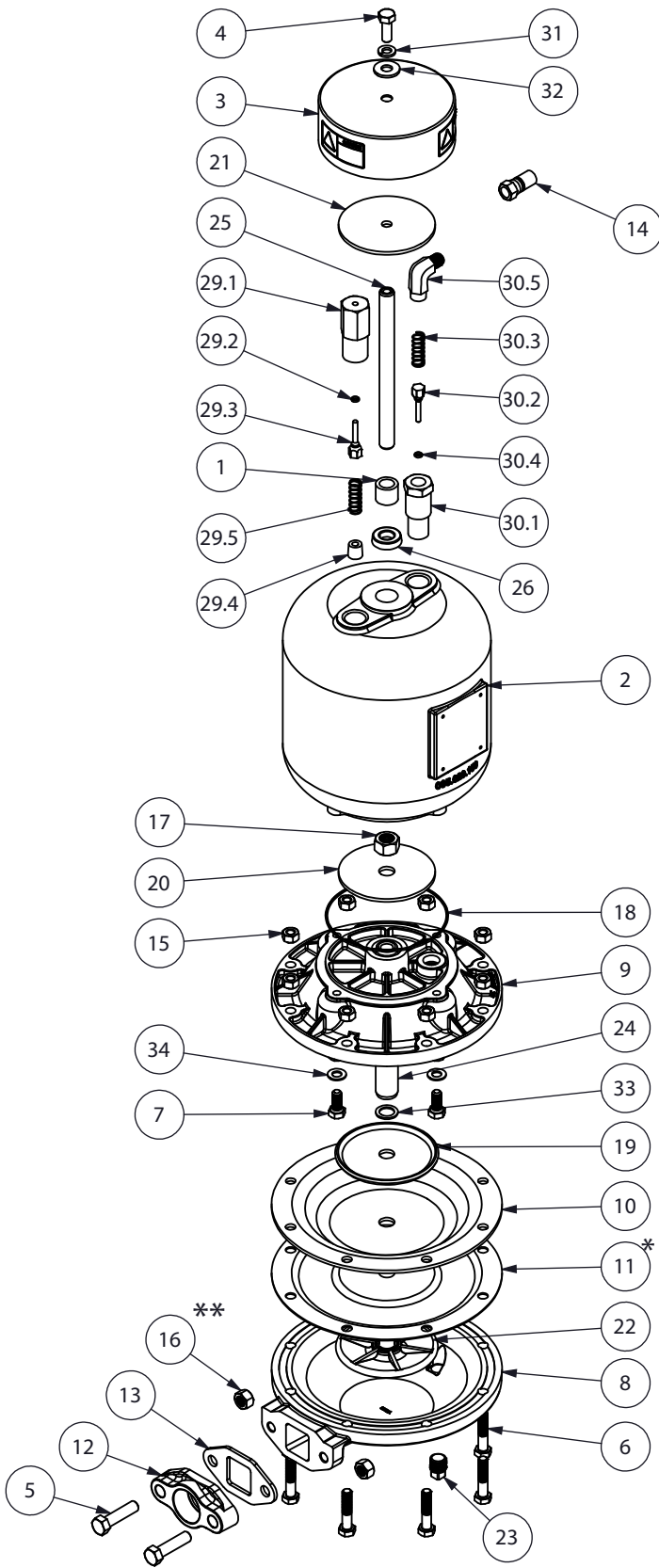
Model VTA2 & VTA50



Model VTA3 & VTA80



VTA1 & VTA25 - Composite Repair Parts Drawing

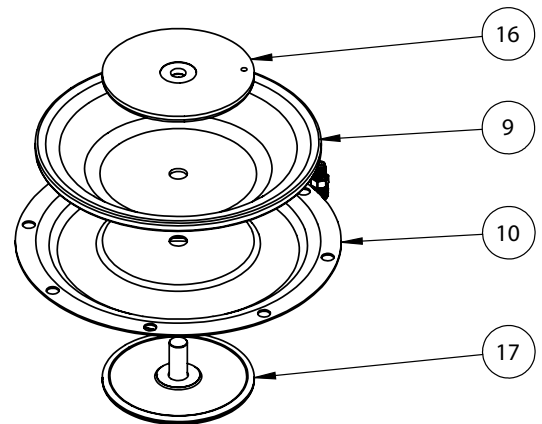
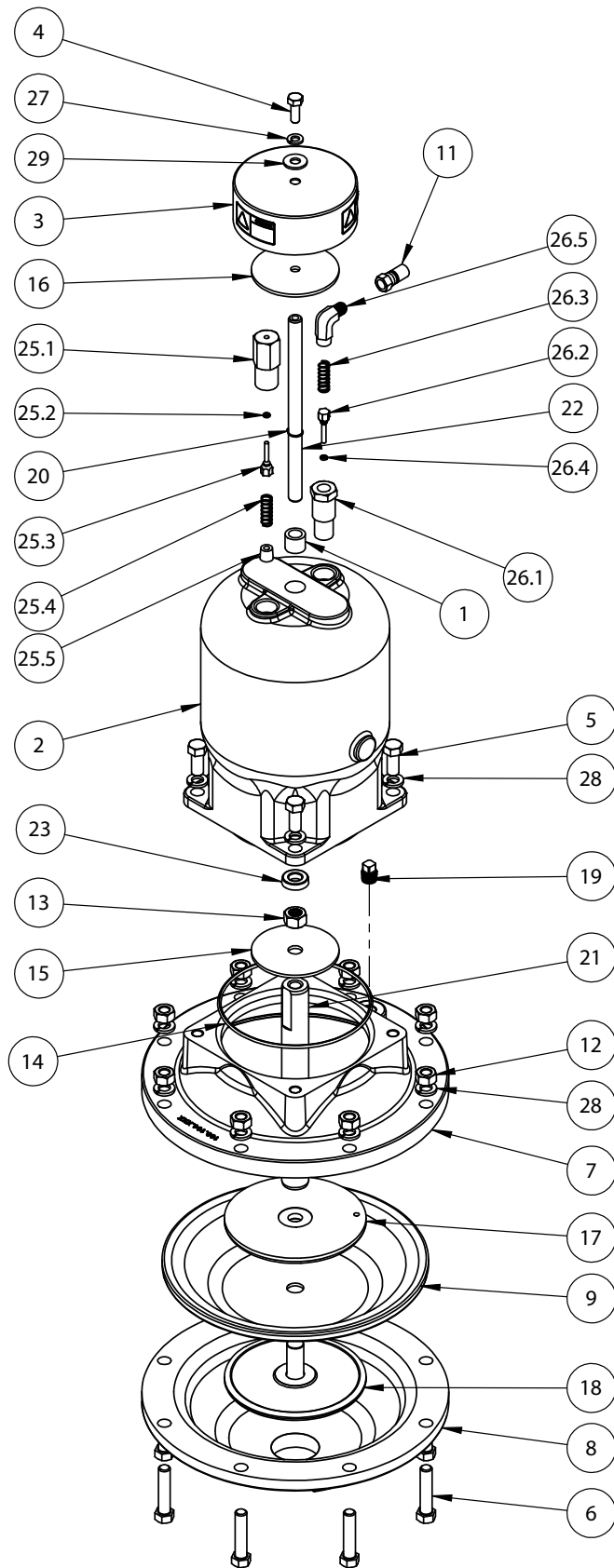


VTA1 & VTA25 - Composite Repair Parts List

ITEM NO.	PART NUMBER	DESCRIPTION	QTY.
1	070.014.170	Bearing, Sleeve	1
2	095.029.156	Body	1
3	165.023.000	Cap	1
4	170.005.330	Capscrew, Hex Hd 5/16-18 X 7/8	1
5	170.009.330	Capscrew, Hex Hd 3/8-16 x 1 1/2	2
6	170.029.330	Capscrew, Hex Hd 5/16-18 x 1 1/2	8
7	170.057.330	Capscrew, Hx Hd 5/16-18 x 3/4	4
8	196.012.110	Outer Chamber (Stainless Units)	1
	196.012.157	Outer Chamber	1
9	196.018.157	Chamber	1
10	286.008.354	Diaphragm	1
	286.008.356	Diaphragm	1
	286.008.360	Diaphragm	1
	286.008.363	Diaphragm	1
	286.008.364	Diaphragm	1
	286.008.365	Diaphragm	1
	286.008.366	Diaphragm	1
11	286.015.604	Diaphragm, Overlay	1
12	334.018.110	Flange, Threaded (Stainless and PTFE Units)	1
	334.018.156	Flange, Threaded	1
	334.018.110E	Flange, Threaded (1" BSP Tapered)	1
	334.018.156E	Flange, Threaded (1" BSP Tapered)	1
13	360.030.425	Gasket, Flange	1
	360.030.600	Gasket, Flange (PTFE and FKM Units)	1
14	866.078.330	Tube Fitting	1
15	545.004.330	Nut, Hex 5/16-18	8
16	545.005.330	Nut, Hex 3/8-16 (Stainless Units)	2
17	545.008.330	Nut, Hex 1/2-13	1
18	560.040.360	O-Ring	1
19	612.022.330	Plate, Inner Diaphragm	1
20	612.043.330	Plate, Activator	1
21	612.044.330	Plate, Activator	1
22	612.101.110	Plate, Outer Diaphragm	1
	612.108.157	Plate, Outer Diaphragm	1
23	618.003.110	Plug, 1/4 Pipe (Stainless Units)	1
	618.003.330	Plug, 1/4 Pipe	1
24	685.027.120	Rod, Diaphragm	1
25	685.028.120	Rod, Activator	1
26	720.012.360	Seal, Shaft	1
29	893.021.000	Valve Assembly	1
29.1	095.020.162	Body, Valve	1
29.2	560.001.360	O-Ring	1
29.3	622.002.162	Poppet	1
29.4	670.007.162	Spring, Retainer	1
29.5	780.013.115	Spring, Compression	1
30	893.023.000	Valve Assembly	1
30.1	095.019.162	Body, Valve	1
30.2	622.002.162	Poppet	1
30.3	780.013.115	Spring, Compression	1
30.4	560.001.360	O-Ring	1
30.5	866.010.162	Elbow, Male	1
31	900.004.330	Washer, Lock 5/16	1
32	901.009.115	Washer, Flat 5/16	1
33	901.012.180	Washer, Sealing	1
34	901.014.180	Washer, Sealing	4



VTA1 1/2 & VTA40 - Composite Repair Parts Drawing

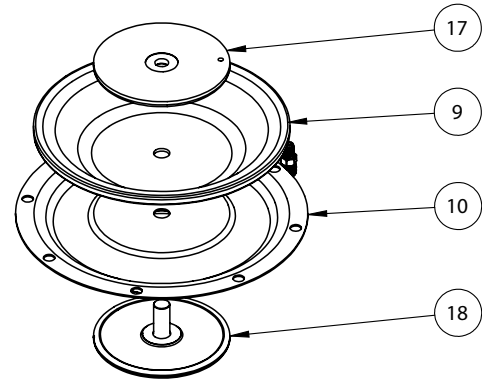
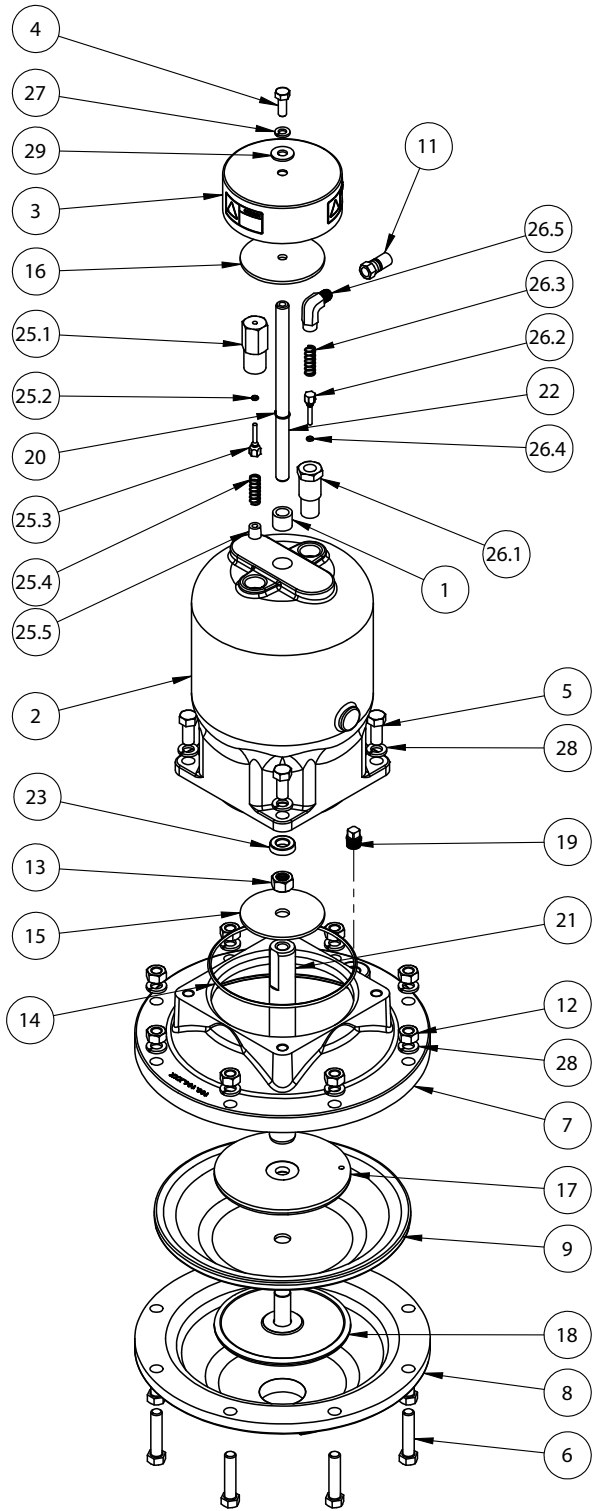


VTA1 1/2 & VTA40 - Composite Repair Parts List

ITEM NO.	PART NUMBER	DESCRIPTION	QTY.
1	070.014.170	Bearing, Sleeve	1
2	095.078.156	Body	1
3	165.023.000	Cap	1
4	170.005.330	Capscrew, Hex Hd - 5/16-18 X 7/8	1
5	170.024.330	Capscrew, Hex Hd - 7/16-14 X 1	4
6	170.060.330	Capscrew, Hex Hd - 7/16-14 X 2	8
7	196.194.156	Chamber, Inner	1
8	196.196.156	Chamber, Outer - NPT	1
	196.196.010	Chamber, Outer - NPT	1
	196.196.110	Chamber, Outer - NPT	1
	196.196.112	Chamber, Outer - NPT	1
	196.196.156E	Chamber, Outer - 1 1/2" BSP Tapered	1
	196.196.010E	Chamber, Outer - 1 1/2" BSP Tapered	1
	196.196.110E	Chamber, Outer - 1 1/2" BSP Tapered	1
	196.196.112E	Chamber, Outer - 1 1/2" BSP Tapered	1
9	286.005.360	Diaphragm	1
	286.005.363	Diaphragm	1
	286.005.364	Diaphragm	1
	286.005.365	Diaphragm	1
	286.005.351	Diaphragm	1
	286.005.354	Diaphragm	1
	286.005.357	Diaphragm	1
10	286.020.604	Diaphragm, Overlay PTFE	1
11	866.078.330	Tube Fitting	1
12	545.007.330	Nut, Hex - 7/16-14	8
13	545.008.330	Nut, Hex - 1/2-13	1
14	560.022.360	O-Ring	1
15	612.043.330	Plate, Activator	1
16	612.044.330	Plate, Activator	1
17	612.047.330	Plate, Diaphragm Inner	1
18	612.039.157	Plate, Diaphragm Outer - Alum Units Only	1
	612.039.010	Plate, Diaphragm Outer - Cast Iron Units Only	1
	612.097.110	Plate, Diaphragm Outer - Stainless Units Only	1
	612.097.112	Plate, Diaphragm Outer - Hastalloy Units Only	1
19	618.003.330	Plug, 1/4 Pipe	1
20	675.054.080	Ring, Retainer	1
21	685.066.120	Rod, Diaphragm	1
22	685.067.120	Rod, Activator	1
23	720.012.360	U-Cup, Shaft Seal	1
25	893.021.000	Valve Assembly	1
25.1	095.020.162	Body, Valve	1
25.2	560.001.360	O-Ring	1
25.3	622.002.162	Poppet	1
25.4	670.007.162	Spring, Retainer	1
25.5	780.013.115	Spring, Compression	1
26	893.023.000	Valve Assembly	1
26.1	095.019.162	Body, Valve	1
26.2	622.002.162	Poppet	1
26.3	780.013.115	Spring, Compression	1
26.4	560.001.360	O-Ring	1
26.5	866.010.162	Elbow, Male	1
27	900.004.330	Washer, Lock - 5/16	1
28	900.006.330	Washer, Lock - 7/16	12
29	901.009.330	Washer, Flat - 5/16	1



VTA2 & VTA50 - Composite Repair Parts Drawing

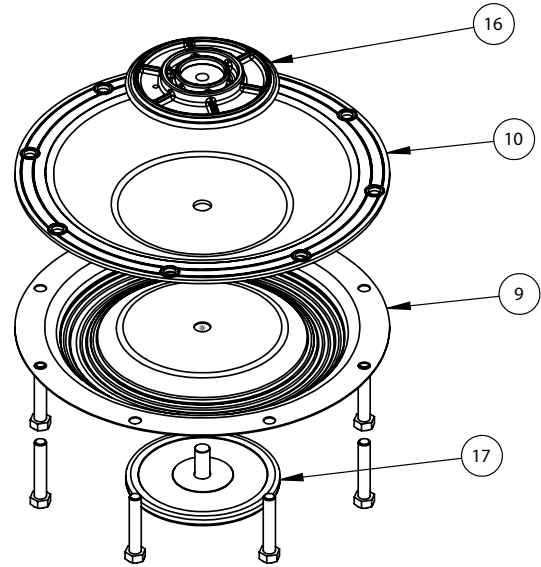
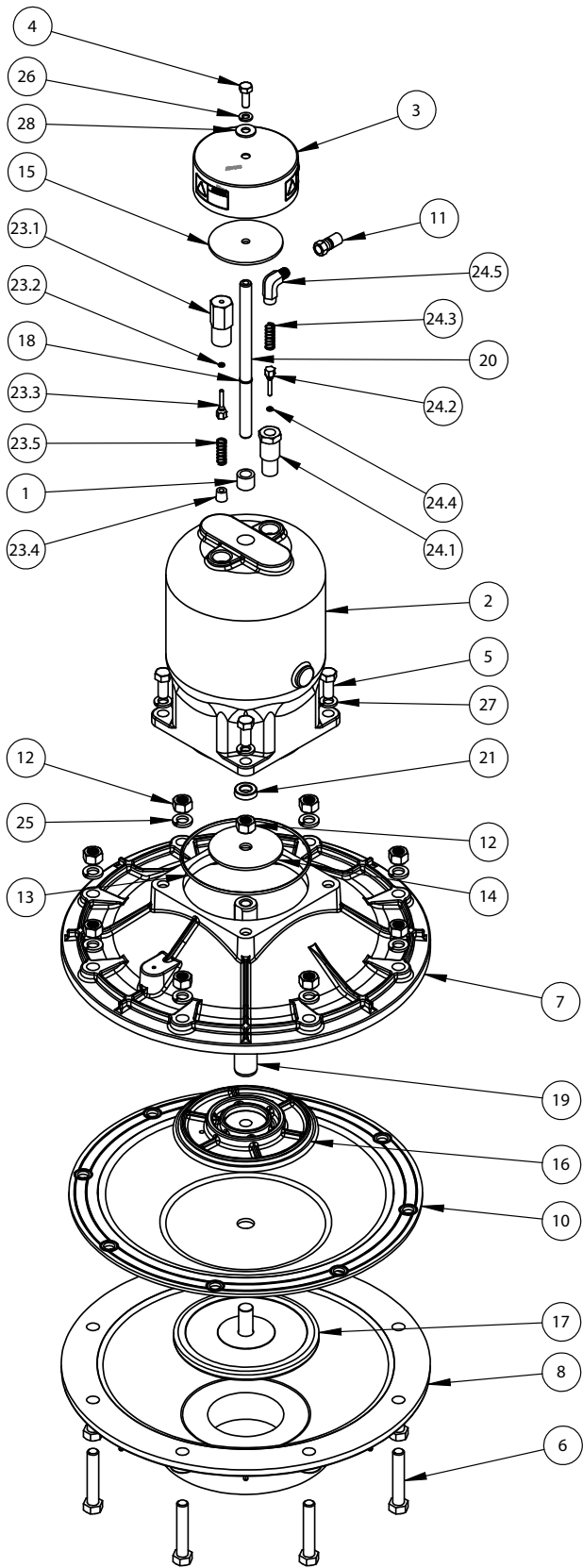


VTA2 & VTA50 - Composite Repair Parts List

ITEM NO.	PART NUMBER	DESCRIPTION	QTY.
1	070.014.170	Bearing, Sleeve	1
2	095.078.156	Body	1
3	165.023.000	Cap	1
4	170.005.330	Capscrew, Hex Hd - 5/16-18 X 7/8	1
5	170.024.330	Capscrew, Hex Hd - 7/16-14 X 1	4
6	170.060.330	Capscrew, Hex Hd - 7/16-14 X 2	8
7	196.194.156	Chamber, Inner	1
8	196.195.156	Chamber, Outer - NPT	1
	196.195.010	Chamber, Outer - NPT	1
	196.195.110	Chamber, Outer - NPT	1
	196.195.112	Chamber, Outer - NPT	1
	196.195.156E	Chamber, Outer - 2" BSP Tapered	1
	196.195.010E	Chamber, Outer - 2" BSP Tapered	1
	196.195.110E	Chamber, Outer - 2" BSP Tapered	1
	196.195.112E	Chamber, Outer - 2" BSP Tapered	1
9	286.005.360	Diaphragm	1
	286.005.363	Diaphragm	1
	286.005.364	Diaphragm	1
	286.005.365	Diaphragm	1
	286.005.351	Diaphragm	1
	286.005.354	Diaphragm	1
	286.005.357	Diaphragm	1
10	286.020.604	Diaphragm, Overlay PTFE	1
11	866.078.330	Tube Fitting	1
12	545.007.330	Nut, Hex - 7/16-14	8
13	545.008.330	Nut, Hex - 1/2-13	1
14	560.022.360	O-Ring	1
15	612.043.330	Plate, Activator	1
16	612.044.330	Plate, Activator	1
17	612.047.330	Plate, Diaphragm Inner	1
18	612.039.157	Plate, Diaphragm Outer - Alum Units Only	1
	612.039.010	Plate, Diaphragm Outer - Cast Iron Units Only	1
	612.097.110	Plate, Diaphragm Outer - Stainless Units Only	1
	612.097.112	Plate, Diaphragm Outer - Hastalloy Units Only	1
19	618.003.330	Plug, 1/4 Pipe	1
20	675.054.080	Ring, Retainer	1
21	685.066.120	Rod, Diaphragm	1
22	685.067.120	Rod, Activator	1
23	720.012.360	U-Cup, Shaft Seal	1
25	893.021.000	Valve Assembly	1
25.1	095.020.162	Body, Valve	1
25.2	560.001.360	O-Ring	1
25.3	622.002.162	Poppet	1
25.4	670.007.162	Spring, Retainer	1
25.5	780.013.115	Spring, Compression	1
26	893.023.000	Valve Assembly	1
26.1	095.019.162	Body, Valve	1
26.2	622.002.162	Poppet	1
26.3	780.013.115	Spring, Compression	1
26.4	560.001.360	O-Ring	1
26.5	866.010.162	Elbow, Male	1
27	900.004.330	Washer, Lock - 5/16	1
28	900.006.330	Washer, Lock - 7/16	12
29	901.009.330	Washer, Flat - 5/16	1



VTA3 & VTA80 - Composite Repair Parts Drawing



VTA3 & VTA80 - Composite Repair Parts List

ITEM NO.	PART NUMBER	DESCRIPTION	QTY.
1	070.014.170	Bearing, Sleeve	1
2	095.078.156	Body	1
3	165.023.000	Cap	1
4	170.005.330	Capscrew, Hex Hd - 5/16-18 X 7/8	1
5	170.024.330	Capscrew, Hex Hd - 7/16-14 X 1	4
6	170.082.330	Capscrew, Hex Hd, 1/2-13UNC X 2.75	8
7	196.100.015	Chamber, Inner	1
8	196.146.156	Chamber, Outer	1
	196.146.010	Chamber, Outer	1
	196.146.110	Chamber, Outer	1
	196.146.156E	Chamber, Outer (3" BSP Tapered/PN10 80mm DIN)	1
	196.146.010E	Chamber, Outer (3" BSP Tapered/PN10 80mm DIN)	1
	196.146.110E	Chamber, Outer	1
9	286.098.604	Diaphragm, Overlay	1
10	286.098.360	Diaphragm	1
	286.098.363	Diaphragm	1
	286.098.364	Diaphragm	1
	286.098.365	Diaphragm	1
	286.098.354	Diaphragm	1
	286.098.351	Diaphragm	1
11	866.078.330	Tube Fitting	1
12	545.008.330	Nut, Hex - 1/2-13	9
13	560.022.360	O-Ring	1
14	612.043.330	Plate, Activator	1
15	612.044.330	Plate, Activator	1
16	612.192.157	Plate, Inner Diaphragm	1
17	612.194.157	Plate, Outer Diaphragm Assy. (Alum Units Only)	1
	612.194.010	Plate, Outer Diaphragm Assy. (Cast Iron Units Only)	1
	612.194.110	Plate, Outer Diaphragm Assy. (Stainless Units Only)	1
18	675.054.080	Ring, Retainer	1
19	685.066.120	Rod, Diaphragm	1
20	685.048.120	Rod, Activator	1
21	720.012.360	U-cup, Shaft Seal	1
23	893.021.000	Valve Assembly	1
23.1	095.020.162	Body, Valve	1
23.2	560.001.360	O-Ring	1
23.3	622.002.162	Poppet	1
23.4	670.007.162	Spring Retainer	1
23.5	780.013.115	Spring, Compression	1
24	893.023.000	Valve Assembly	1
24.1	095.019.162	Body, Valve	1
24.2	622.002.162	Poppet	1
24.3	780.013.115	Spring, Compression	1
24.4	560.001.360	O-Ring	1
24.5	866.010.162	Elbow, Male	1
25	900.003.330	Washer, Lock - 1/2	8
26	900.004.330	Washer, Lock - 5/16	1
27	900.006.330	Washer, Lock - 7/16	4
28	901.009.115	Washer, Flat - 5/16	1



5 - YEAR Limited Product Warranty

Quality System ISO9001 Certified • Environmental Management Systems ISO14001 Certified

Versamatic warrants to the original end-use purchaser that no product sold by Versamatic that bears a Versamatic brand shall fail under normal use and service due to a defect in material or workmanship within five years from the date of shipment from Versamatic's factory.

The use of non-OEM replacement parts will void (or negate) agency certifications, including CE, ATEX, CSA, 3A and EC1935 compliance (Food Contact Materials). Warren Rupp, Inc. cannot ensure nor warrant non-OEM parts to meet the stringent requirements of the certifying agencies.

~ See complete warranty at http://vm.salesmrc.com/pdfs/VM_Product_Warranty.pdf

DECLARATION OF CONFORMITY

DECLARATION DE CONFORMITE • DECLARACION DE CONFORMIDAD • ERKLÄRUNG BEZÜGLICH EINHALTUNG DER VORSCHRIFTEN
DICHIARAZIONE DI CONFORMITÀ • CONFORMITEITSVERKLARING • DEKLARATION OM ÖVERENSSTÄMMELSE
EF-OVERENSSTEMMELSESERKLÄRING • VAATIMUSTENMUKAISUUSVAKUUTUS • SAMSVARSERKLÄRING
DECLARAÇÃO DE CONFORMIDADE

MANUFACTURED BY:

FABRIQUE PAR:
FABRICADA POR:
HERGESTELLT VON:
FABBRICATO DA:
VERVAARDIGD DOOR:
TILLVERKAD AV:
FABRIKANT:
VALMISTAJA:
PRODUSENT:
FABRICANTE:

VERSAMATIC®
Warren Rupp, Inc.
A Unit of IDEX Corporation
800 North Main Street
P.O. Box 1568
Mansfield, OH 44901-1568 USA

Tel: 419-526-7296
Fax: 419-526-7289



PUMP MODEL SERIES: E SERIES, V SERIES, VT SERIES, VSMA3, SPA15, RE SERIES AND U2 SERIES

This product complies with the following European Community Directives:

Ce produit est conforme aux directives de la Communauté européenne suivantes:

Este producto cumple con las siguientes Directrices de la Comunidad Europea:

Dieses produkt erfüllt die folgenden Vorschriften der Europäischen Gemeinschaft:

Questo prodotto è conforme alle seguenti direttive CEE:

Dir produkt voldoet aan de volgende EG-richtlijnen:

Denna produkt överensstämmer med följande EU direktiv:

Versamatic, Inc., erklærer herved som fabrikant, at ovennævnte produkt er i overensstemmelse med bestemmelserne i Direktive:

Tämä tuote täyttää seuraavien EC Direktiivien vaatimukset:

Dette produkt oppfyller kravene til følgende EC Direktiver:

Este produto está de acordo com as seguintes Diretivas comunitárias:

2006/42/EC
on Machinery, according
to Annex VIII

This product has used the following harmonized standards to verify conformance:

Ce matériel est fabriqué selon les normes harmonisées suivantes, afin d' en garantir la conformité:

Este producto cumple con las siguientes directrices de la comunidad europea:

Dieses produkt ist nach folgenden harmonisierten standards gefertigt worden, die übereinstimmung wird bestätigt:

Questo prodotto ha utilizzato i seguenti standards per verificare la conformità:

De volgende geharmoniseerde normen werden gehanteerd om de conformiteit van dit produkt te garanderen:

För denna produkt har följande harmoniserande standarder använts för att bekräfta överensstämmelse:

Harmoniserede standarder, der er benyttet:

Tässä tuotteessa on sovellettu seuraavia yhdenmukaistettuja standardeja:

Dette produkt er produsert i overensstemmelse med følgende harmoniserte standarder:

Este produto utilizou os seguintes padrões harmonizados para verificar conformidade:

EN809:2012

AUTHORIZED/ APPROVED BY:

Approve par:
Aprobado por:
Genehmigt von:
approvato da:
Goedgekeurd door:
Underskrift:
Valtuutettuna:
Bemyndiget av:
Autorizado Por:


Dave Roseberry
Director of Engineering
Authorized Representative:
IDEX Pump Technologies
R79 Shannon Industrial Estate,
Shannon, Co. Clare Ireland
Attn: Barry McMahon

DATE: February 27, 2017

FECHA:
DATUM:
DATA:
DATO:
PÄIVÄYS:



EU Declaration of Conformity

Manufacturer:

Versamatic
A Unit of IDEX Corporation
800 North Main Street
Mansfield, OH 44902 USA



Warren Rupp, Inc declares that Air Operated Double Diaphragm Pumps (AODD) and Surge Suppressors listed below comply with the requirements of **Directive 2014/34/EU** and all the applicable standards.

Applicable Standards:

- EN ISO 80079-36: 2016
- EN ISO 80079-37: 2016
- EN60079-25: 2010

1. AODD Pumps and Surge Suppressors - Technical File No.: 20310400 -1410/MER

Hazardous Location Applied:



II 2 G Ex h IIC T5...225°C (T2) Gb
II 2 D Ex h IIIC T100°C...T200°C Db

- Metal pump models with external aluminum components (E-series)
- Versa-Surge® surge suppressors (VTA-Series)

2. AODD Pumps - Technical File No.: 20310400 -1410/MER - On File With: DEKRA Certification B.V. (0344)

Meander 1051
6825 MJ Arnhem
The Netherlands

Hazardous Location Applied:



I M2 Ex h Mb
II 2 G Ex h IIC T5...225°C (T2) Gb
II 2 D Ex h IIIC T100°C...T200°C Db

- Metal pump models with no external aluminum (E-Series)
- Conductive plastic pumps (E-Series Plastic)

➤ See "Safety Information" page for conditions of safe use

DATE/OF REVISION/TITLE:
19 DEC 2018

David Roseberry
Dave Roseberry
Director of Engineering





Declaration of Conformity

Manufacturer: Warren Rupp, Inc., 800 N. Main Street, Mansfield, Ohio, 44902 USA
 certifies that Elima-Matic® Air-Operated Double Diaphragm Food Processing and Sanitary
 Pump Models and Surge Suppressor Models comply with the European Community Regulations:
 (EC) No 1935/2004 for Food Contact Materials
 (EC) No 2023/2006 Good Manufacturing Practice
 (EU) No 10/2011 on plastic materials and articles intended to come in contact with food

Food Processing Pump Models:

E4SJ5T5S0-FP-ATEX
 E4SJ5F5S0-FP-ATEX
 E4SJ5T5S0-FP
 E4SJ5F5S0-FP
 E4SJYXY0-FP
 E4SJ7X770-FP
 E1SPYX5S9C-FP
 E1SP7X759C-FP
 E1SP5T559C-FP
 E1SP5F559C-FP
 E5SP5T5S9C-FP
 E5SP5F5S9C-FP
 E5SPYX559C-FP
 E5SP7X7S9C-FP
 E1SJ5T559C-FP-ATEX
 E1SJ5F559C-FP-ATEX
 E1SJ7X759C-FP-ATEX
 E1SJYX559C-FP-ATEX
 E2SJ5T5S0C-FP-ATEX
 E2SJ5F5S0C-FP-ATEX
 E2SJ7X770C-FP-ATEX

E2SJ7D770C-FP-ATEX
 E2SS7D770C-FP-ATEX
 E2SJYXY0C-FP-ATEX
 E2SSYXY0C-FP-ATEX
 E2SS7X770C-FP-ATEX
 E3SJYXY0C-FP-ATEX
 E3SJ5T550C-FP-ATEX
 E3SJ5F550C-FP-ATEX
 E3SJ5T5S0C-FP-ATEX
 E3SJ5F5S0C-FP-ATEX
 E3SJ7X770C-FP-ATEX
 E3SSYXY0C-FP-ATEX
 E3SS7X770C-FP-ATEX
 E3SS5T550C-FP-ATEX
 E3SS5F550C-FP-ATEX
 E3SS5T5S0C-FP-ATEX

Surge Suppressor Models:

VDA051SPTNS00
 VTA1,NG1SS.
 VTA25,NG1SS.

Surge Suppressor Models cont.:

VTA1 1/2,NG1SS.
 VTA40,NG1SS.
 VTA2,NG2SS.
 VTA50,NG2SS.
 VTA3,NG2SS.
 VTA80,NG2SS.

Sanitary Pump Models:

E4SJYXY40-SP
 E4SJ7X750-SP
 E2SJYXY40C-SP-ATEX
 E2SJ7X750C-SP-ATEX
 E4SJ5T550-SP-ATEX
 E4SJ5F550-SP-ATEX
 E2SJ5T550C-SP-ATEX
 E2SJ5F550C-SP-ATEX
 E2SS5T550C-SP-ATEX
 E2SS5F550C-SP-ATEX
 E2SSYXY 40C-SP-ATEX
 E2SS7X750C-SP-ATEX

- Materials used in equipment intended for food contact (Annex I (EC) No 1935/2004) :
 - Rubber
 - Metals & Alloys
 - Plastics

Plastic Materials: PTFE and FKM/ PTFE coated

The plastic components are suitable to come in contact with multiple food types, provided that storage contact time does not exceed 1/2 hour, contact temperature does not exceed 40°C and maximum operating temperatures within the instructions manual are not exceeded. Diaphragm failure may allow process fluids to come in contact with nonconforming materials. Regular inspections are recommended.

- This Declaration is based on :
 - Declaration of Conformities from raw material suppliers
 - Total Migration Analysis per (EU) No 10/2011
- Supporting document will be made available to competent authorities to demonstrate compliance

David Roseberry
 Signature of authorized person

David Roseberry
 Printed name of authorized person

February 8, 2013
 Date of issue

Director of Engineering
 Title

February 6, 2018
 Date of revision

