

Metering pumps Model D

Doseuro model D are used in the most severe duty applications. Mechanical Diaphragm dosing pumps are the best solution when:

PUMPED LIQUID CONTAINS SMALL AMOUNTS OF SUSPENDED SOLIDS

PUMPED LIQUID IS HAZARDOUS

NO LEAKAGE IS ALLOWED

HIGH PRESSURE IS NOT REQUIRED



Applications

Injection of chemicals as coagulant, fertilizer, acids, polymers and much more.

Commonly used in the following applications:

- Fertigation
- Water treatment
- Paper industry
- Chemical industry
- Food industry
- Cooling towers

Features

- Simplex and multi-head versions are available.
 - BSPPm valve connections are standard. Flanged or other connections are available upon request.
 - Cataphoresis painting for gearbox.
 - Endless screw worm gear box supported by bearings and fully lubricated in an oil bath.
 - Fitted as standard with high quality 4 pole electric motor that conform to UNEL-MEC specifications, and range from 0,18kW to 0,75kW.
- Standard 3 phase voltages are 220-240V(Δ) 380-415 (Y) 50Hz / 220-280V(Δ) 380-480 (Y) 60Hz.

Standard 1 phase voltage 230V-50Hz.

Motors are available to meet a wide range of alternative specifications including: ATEX; different voltages, frequencies, higher insulation standards and more.

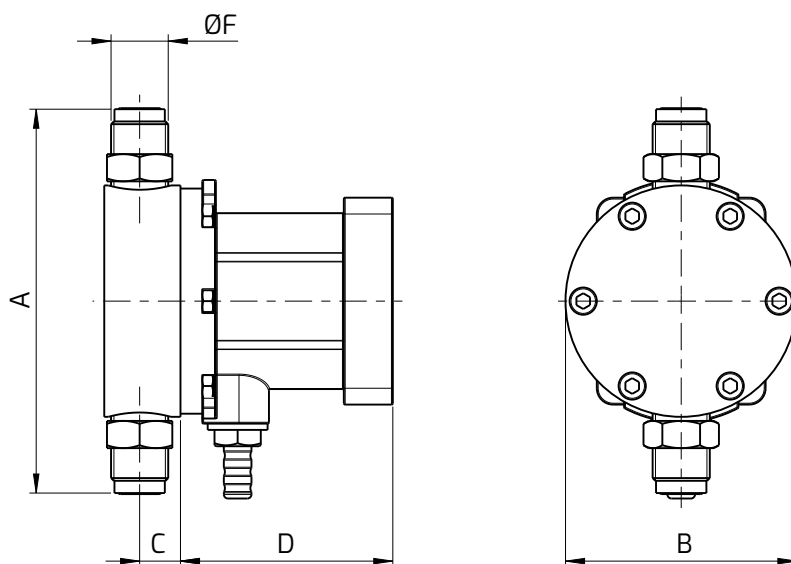
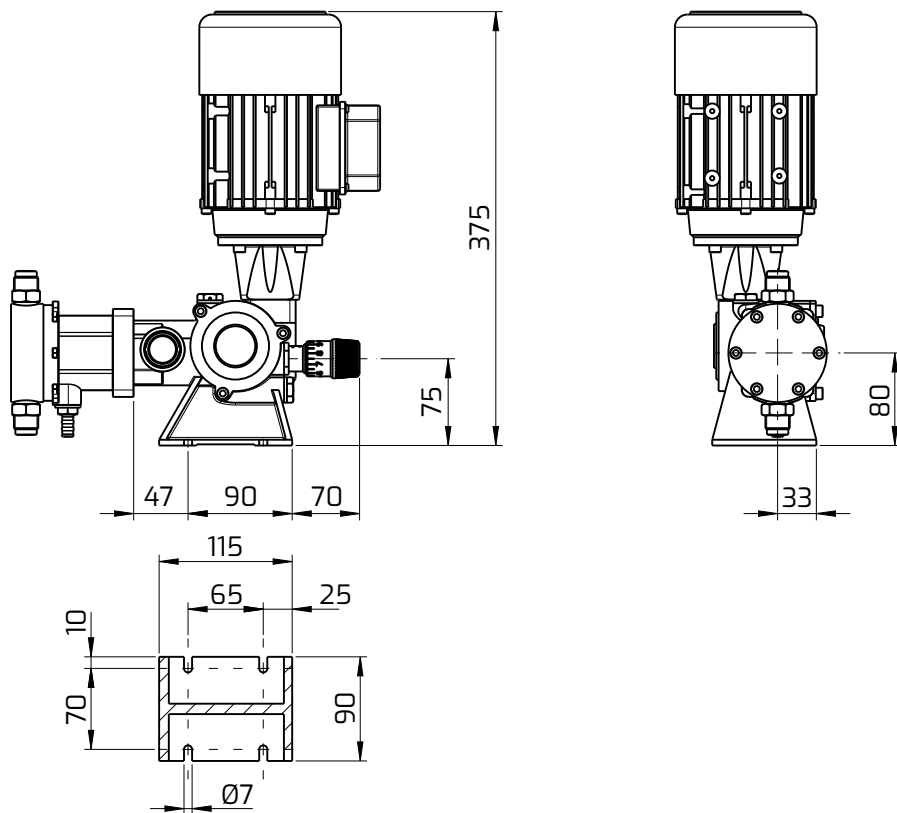
- Stroke adjustment can be made with the pump at rest or in operation and it can be manual or an automatic actuator can be driven by a 4-20 mA; different BUS; pneumatically.
- Components in wetted areas are available in a wide range of materials suitable for chemical injection applications.
- PTFE coated diaphragm.

Pump model	Type	Reducer ratio (SPM)		Capacity (Lt/H)		Max pressure (Bar)		Connection	Motor power (kW)
		50 Hz	60 Hz	50 Hz	60 Hz	Metal	Plastic		
D050N-30	I	35	42	5	6	14	10	1/2" BSP male	0,18
	F	58	70	8	9,6				
	C	96	116	14	16,8				
	B	116	139	17	20,4				
D050N-50	I	35	42	14	16,8	10		1/2" BSP male	0,18
	F	58	70	24	28,8				
	C	96	116	39	46,8				
	B	116	139	49	58,8				

Pump model	Type	Reducer ratio (SPM)		Capacity (Lt/H)		0.25 kW (Bar)	Connection	Motor power (kW)
		50 Hz	60 Hz	50 Hz	60 Hz			
D100N-70	I	35	42	53	63,6	5	1/2" BSP male	0,18
	F	58	70	88	105,6			
	C	96	116	146	175			
	B	116	139	176	211			
D100N-90	I	35	42	81	97	3	3/4" BSP male	0,18
	F	58	70	135	162			
	C	96	116	224	268			
	B	116	139	271	325			
D100N-105	I	35	42	108	129	1,5	3/4" BSP male	0,18
	F	58	70	180	216			
	C	96	116	297	356			
	B	116	139	360	432			
D100N-120	I	35	42	132	158	1,5	1" BSP male	0,18
	F	58	70	219	262			
	C	96	116	362	434			
	B	116	139	438	525			
D101N-70	F	70	84	105	126	8	1/2" BSP male	0,25
	C	96	116	144	172,8			
	B	120	144	180	216			
D101N-90	F	70	84	158	189,6	5	3/4" BSP male	0,25
	C	96	116	217	260,4			
	B	120	144	271	325,2			
D101N-105	F	70	84	212	254,4	4	3/4" BSP male	0,37
	C	96	116	292	350,4			
	B	120	144	365	438			
D101N-120	F	70	84	244	292,8	3	1" BSP male	0,37
	C	96	116	334	400,8			
	B	144	144	132,51	132,51			
D121N-120	F	70	84	332	398,4	3	1" BSP male	0,37
	C	96	116	455	546			
	B	120	144	570	684			

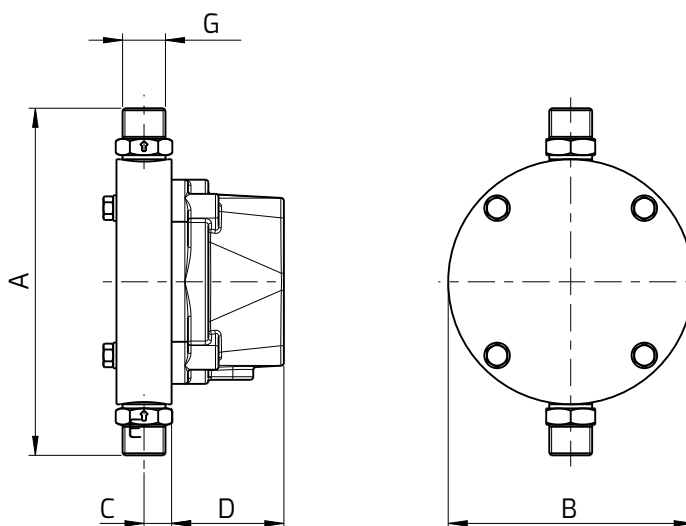
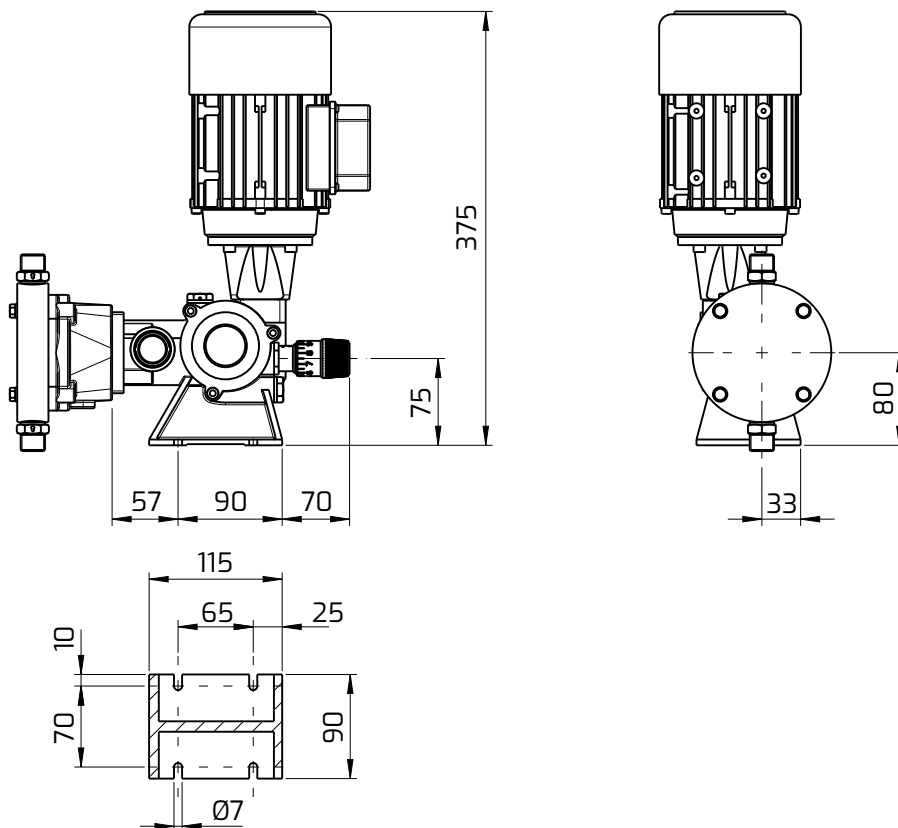
Pump model	Type	Reducer ratio (SPM)		Capacity (Lt/H)		Max pressure (Bar)	Connection	Motor power (kW)
		50 Hz	60 Hz	50 Hz	60 Hz			
Metallic version								
D122N-120	F	56	67	257	308	6	1" BSP male	0,55
	C	96	115	445	534			
	B	112	134	532	638			
	A	140		650				
D122N-140	F	56	67	437	524	3	1" BSP male	0,55
	C	96	115	755	906			
	B	112	134	864	1037			
	B	140		1165				
D122N-160	F	56	67	527	633	3	1 1/2" BSP male	0,75
	C	96	115	896	1075			
	B	112	134	1062	1275			
	A	140		1330				
Plastic version								
D122N-120	F	56	67	270	0,55 kW	6	1" BSP male	0,55
	C	96	115	468	562			
	B	112	134	560	672			
	A	140		684				
D122N-140	F	56	67	460	552	3	1" BSP male	0,55
	C	96	115	795	954			
	B	112	134	910	1092			
	A	140		1175				
D122N-160	F	56	67	555	0,75k W	3	1 1/2" BSP male	0,75
	C	96	115	943	1132			
	B	112	134	1118	1342			
	A	140	134	1400				

D050N



Pump model	Execution INOX						Execution Plastic					
	A	B	C	D	øF	Kg	A	B	C	D	øF	Kg
D050N-30	126	70	13,5	76	1/2" Gm	8	149	58	16,5	76	1/2" Gm	7
D050N-50	141	85	15	76	1/2" Gm	8,5	164	90	21,5	78	1/2" Gm	7,5

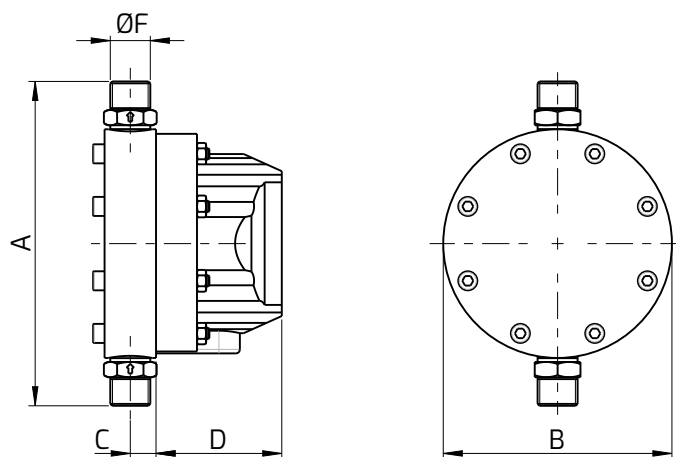
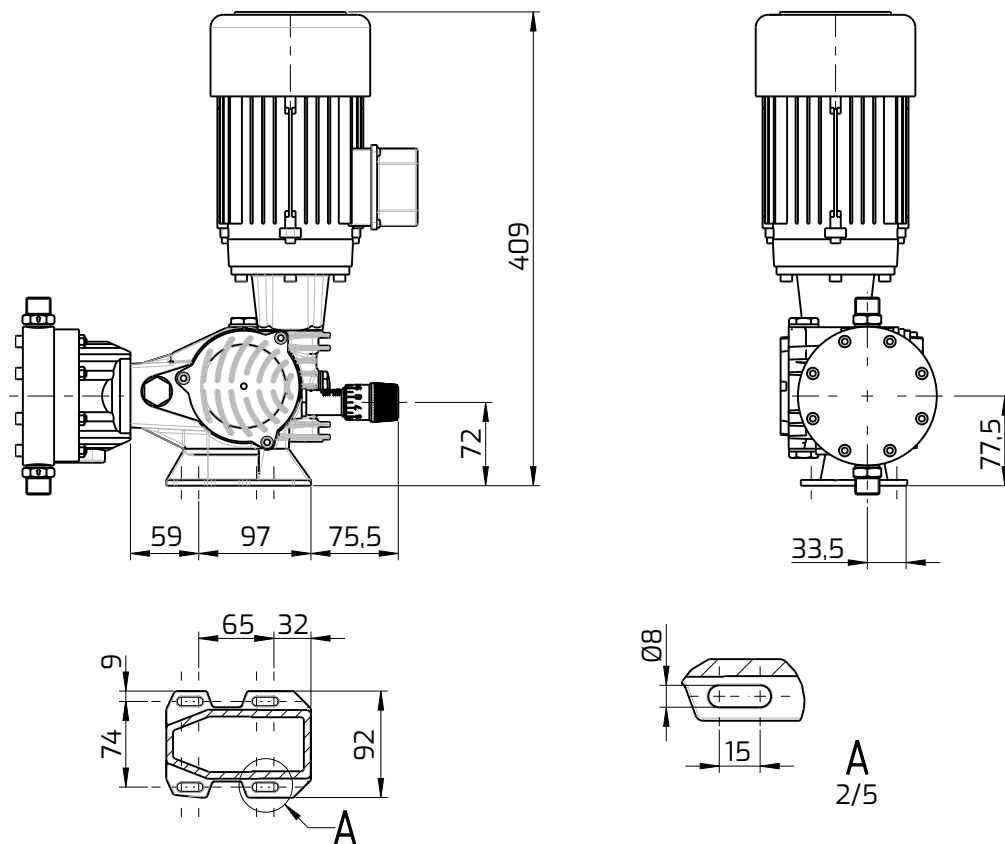
D100N



Pump model	Execution INOX						Execution Plastic					
	A	B	C	D	$\varnothing F$	Kg	A	B	C	D	$\varnothing F$	Kg
D100N-70	170	120	13,5	55	1/2" Gm	10	230	122	23	62	1/2" Gm	7,5
D100N-90	204	140	21	54	3/4" Gm	12	234	137	34	60	3/4" Gm	8
D100N-105	212	150	21	54	3/4" Gm	13	220	155	23	54	3/4" Gm	9
D100N-120	280	170	27	56	1" Gm	17,5	279	180	32	56	1" Gm	11

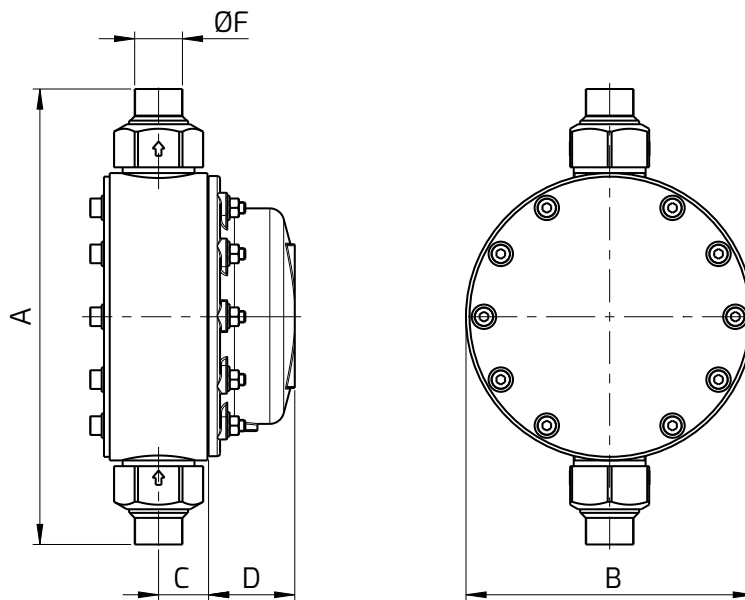
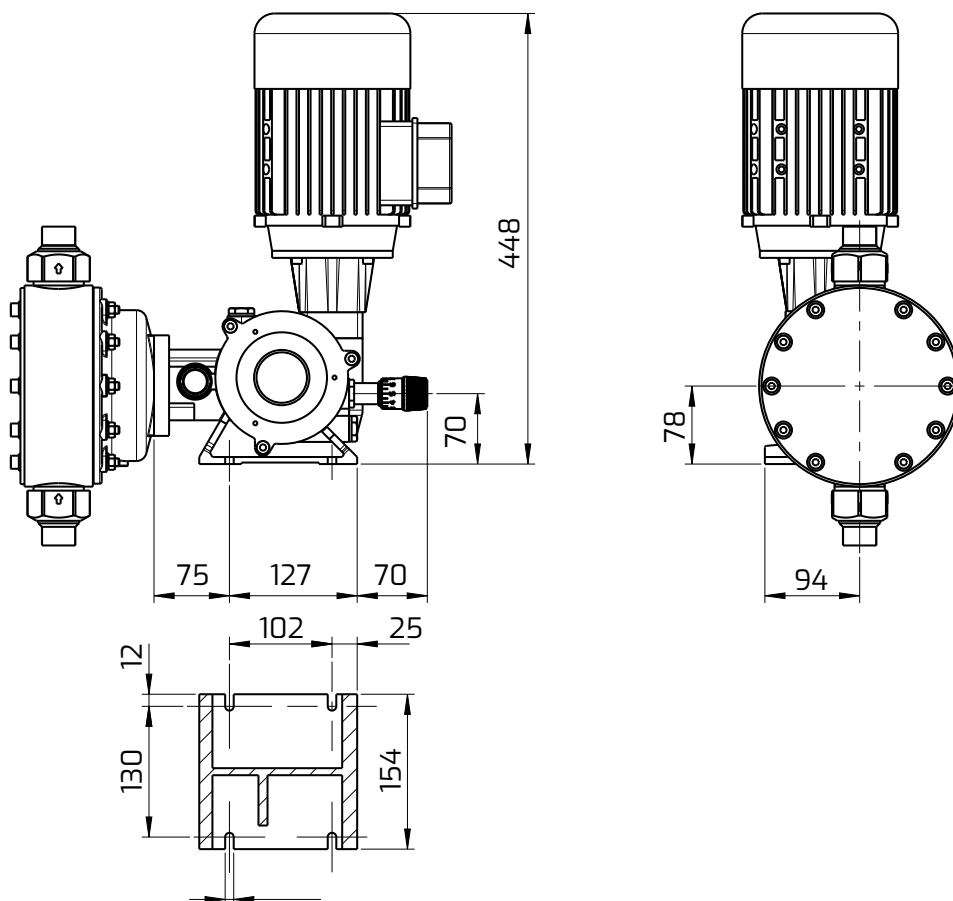
D101N

D121N

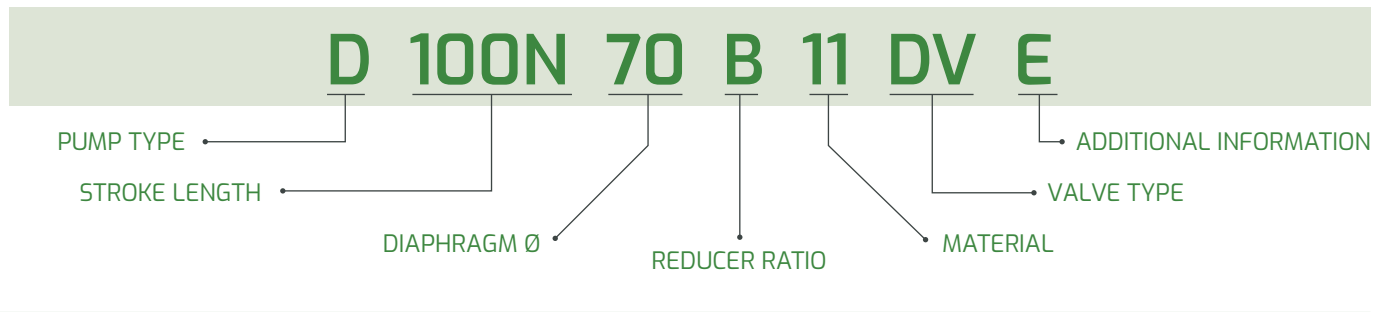


Pump model	Execution INOX						Execution Plastic					
	A	B	C	D	$\varnothing F$	Kg	A	B	C	D	$\varnothing F$	Kg
D101N-70	170	120	13,5	55	1/2" Gm	11,5	230	122	23	62	1/2" Gm	9
D101N-90	204	140	21	54	3/4" Gm	13,5	234	137	34	60	3/4" Gm	9,5
D101N-105	212	150	21	54	3/4" Gm	14,5	220	155	23	54	3/4" Gm	10,5
D101N-120	280	170	27	56	1" Gm	19	279	180	32	56	1" Gm	12,5
D121N-120	280	170	27	56	1" Gm	18,5	279	180	32	56	1" Gm	12,5

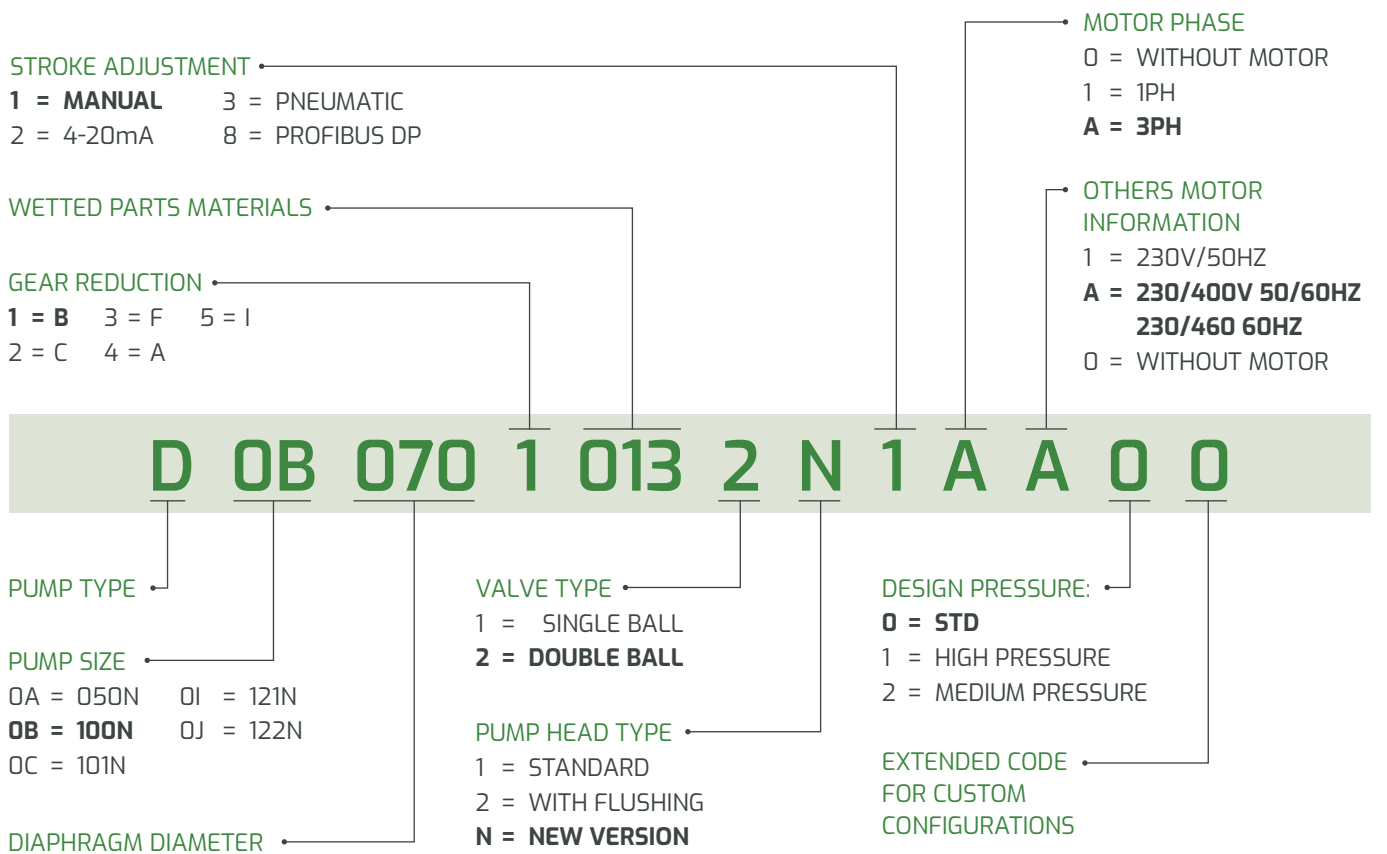
D122N



Pump model	Execution INOX						Execution Plastic					
	A	B	C	D	øF	Kg	A	B	C	D	øF	Kg
D122N-120	280	170	28	66,5	1" Gm	36	297	180	33	66,5	1" Gm	29
D122N-140	310	200	28	60	1" Gm	39	317	200	35	60	1" Gm	31
D122N-160	352	220	37	60	1 1/2" Gm	48	351	225	39	60	1 1/2" Gm	32



How to read the pump code



Wetted parts code for standard materials

Standard construction materials (wetted parts only)					
Material codes	Pump head	Diaphragm	Valve ball	Valve seat	Valve gasket
11	S.S.316L	PTFE coated	S.S.316L	S.S.316L	FPM
12	PP	PTFE coated	Pyrex	PVDF	FPM
13	PVC	PTFE coated	Pyrex	PVDF	FPM
16	PVC	PTFE coated	S.S.316L	PVDF	FPM
23	PVDF	PTFE coated	Pyrex	PVDF	FPM

Data is for reference only and subject to change without notice.



SIMPLIFIED FLUID HANDLING

Bedu Pompen B.V.
 Poort van midden Gelderland Rood 10
 6666 LT Heteren, Nederland
 +31 (0)88-4802900
 www.bedu.eu
 info@bedu.eu

