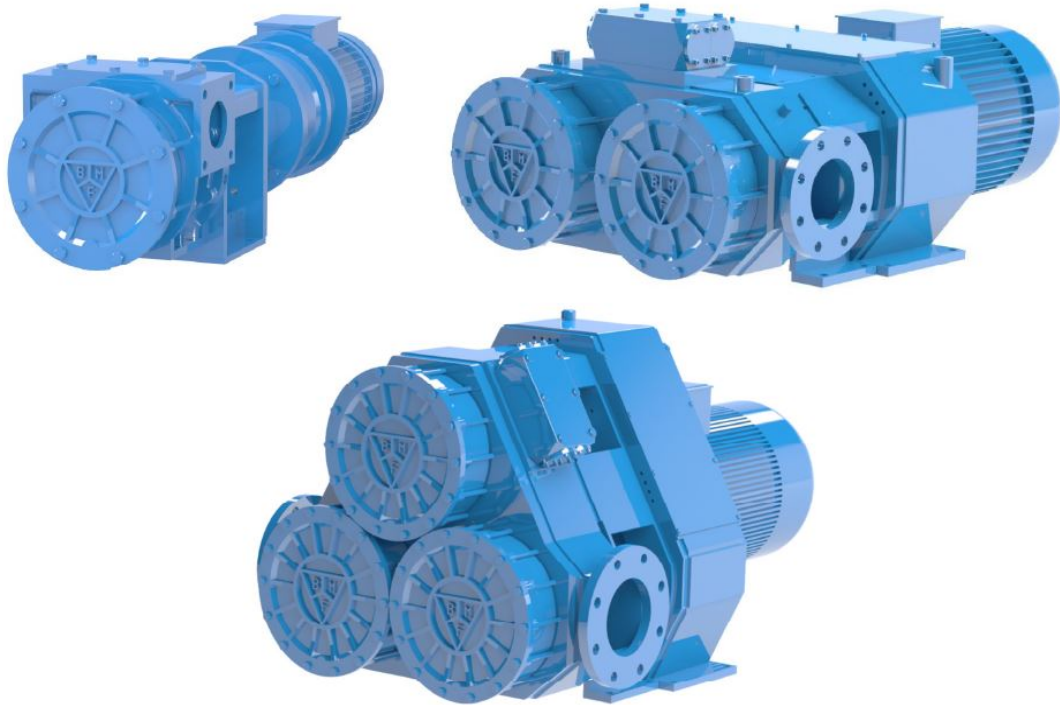


BEDU
≡ POMPEN ≡

POSITIVE DISPLACEMENT PUMPS



made for your process

Sliding piston pumps

Positive displacement-self priming-high suction

Vacuum creation in suction side

Reversible

Same features in the two senses of rotation

Elastic-solid parts handling

The sliding piston system works well with every fluid viscosity and enables the passing through of little suspending solid parts

Low rotation speed-dry running

Low rotation speed means high reliability and fluids are never emulsified, dry running is allowed too

Wide materials type range

The special design of the pumps allows the use of a wide materials type range. Full stainless materials and special surface treatments for every field of application

Two seal configurations-rear external seal or internal

The pump is developed to allow the fitting of any type of seal

The internal seal version "C": little dimensions and low price with a range of pressure till 7 bar

The rear external seal version: maximum reliability for heavy conditions, for process applications and for continuous service. Range of pressure till 8 bar and till 20 bar with high pressure special versions

Sealless magnetic drive versions

The magnetic drive system ensure absolute absence of leakages.

Total safety for hazardous liquids

ISOPN - ANSI connections

Iso-pn flanges according to UNI-EN 1092-1- Ansi flanges available

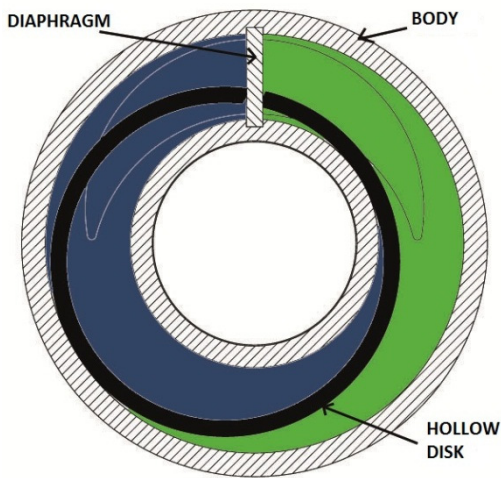
Double body and triple body versions

For excellent performanes in high flow rates

ATEX and API versions

Construction according to ATEX IIG T4 and API 676 standards

Special operating principle



The sliding piston moves inside the pump body creating two different volumes, the suction volume and the discharge volume. The two volumes are separated by a diaphragm and the fluid passes through the openings of the pump body. The sliding piston is pressed against the body walls by a spring allowing the working principle to be elastic and the solid bodies' transit is allowed too.

Performances

SINGLE BODY PUMPS

SIZE	Ø PIPES	FLOW MAX	ENGINE POWER
M 40	1 ¹ / ₄ "-1 ¹ / ₂ "	5000 l/h	HP 1-2
M 60	2"-2 ¹ / ₂ "	11000 l/h	HP 2-3
M 70	2 ¹ / ₂ "	20000 l/h	HP 3-4
M 85	3"	30000 l/h	HP 5.5
M 100	4"	45000 l/h	HP 7.5

DOUBLE BODY PUMPS

SIZE	Ø PIPES	FLOW MAX	ENGINE POWER
D 90	3"-4"	45000 l/h	HP 7.5-10
D 100	4"	70000 l/h	HP 15-20
D 140	5"	120000 l/h	HP 25-30

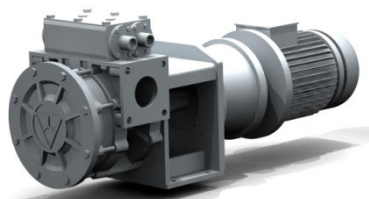
TRIPLE BODY PUMPS

SIZE	Ø PIPES	FLOW MAX	ENGINE POWER
T110	4"-5"	65000 l/h	HP 15-20
T 130	5"	100000 l/h	HP 20/25/30
T 160	6"	190000 l/h	HP 40/50
T250	8"-10"	500000 l/h	HP 100

MAX DIFFERENTIAL PRESSURE: 7 BAR FOR STANDARD VERSION
20 BAR FOR HIGH PRESSURE VERSION

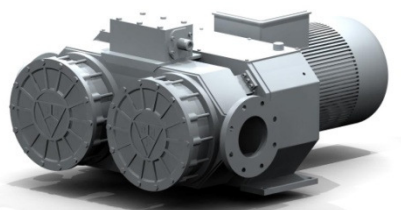
Types

Internal seal pumps “C” series



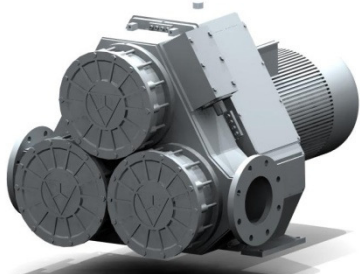
Single body pumps

Sizes:
M 40, 60, 70, 85, 100



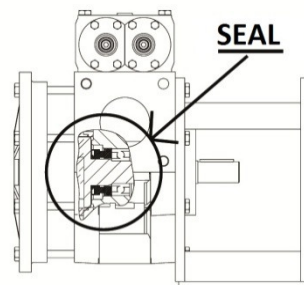
Double body pumps

Sizes:
D 90, 100, 140



Triple body pumps

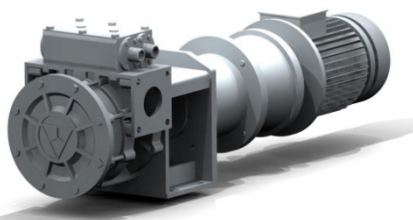
Sizes:
T 110, 130, 160, 250



The seal is set inside pump's body near the bearings.

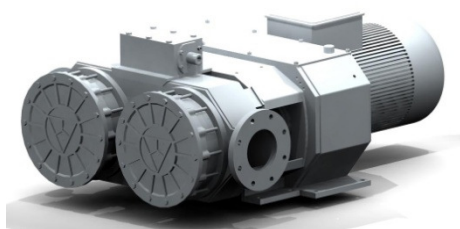
This feature makes the pump affordable and compact.

Rear external seal pumps “L” series



Single body pumps

Sizes:
M 40, 60, 70, 85, 100



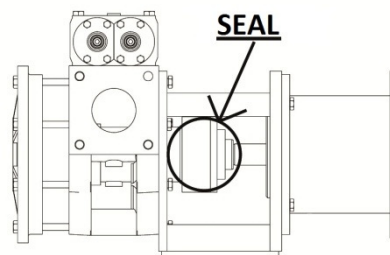
Double body pumps

Sizes:
D 90, 100, 140



Triple body pumps

Sizes:
T 110, 130, 160, 250



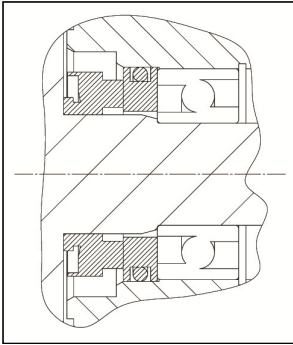
The seal is set inside the rear casing in a visible and reachable position. This feature makes the pump suitable for heavy applications and for continuous service.

Technical advantages:

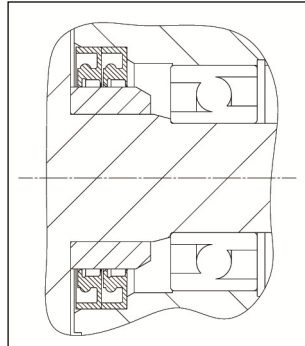
- You can install every type of seal i.e. double flow seals, Api seals, or warmed up seals. (see section “Seals”)
- You can inspect the seal and you can quickly replace it without disconnecting the pump from the pipes, so reducing the downtime.
- Seal leakages are visible and the pump can continue working also with broken seal.

Seal types

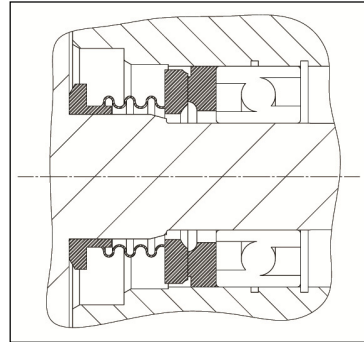
SEAL TYPES IN INTERNAL SEAL PUMP "C" SERIES



MECHANICAL SEAL



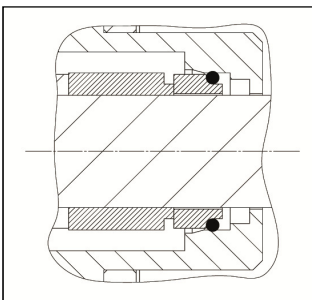
RING SEAL
VITON OR TEFLON



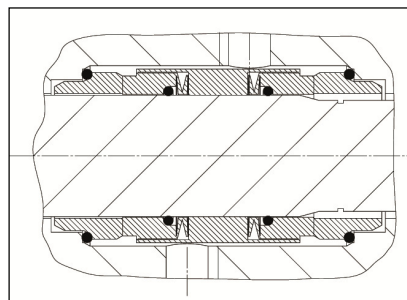
BELLOWS SEAL

SEAL TYPES IN REAR EXTERNAL SEAL PUMP "L" SERIES

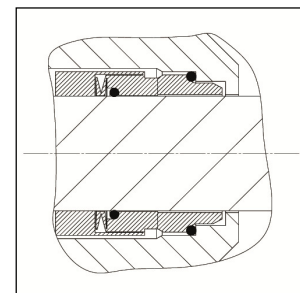
THANKS TO THE REAR SEAL POSITION THE MOUNTING OF EVERY TYPE OF SEAL IS POSSIBLE I.E. DOUBLE SEALS, FLOW SEALS AND RECIRCULATION SEALS, API PLAN SEAL SYSTEMS.



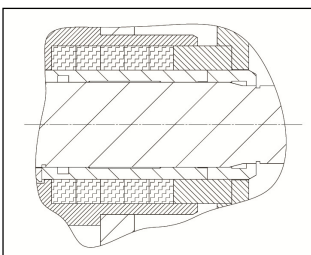
MECHANICAL SEAL



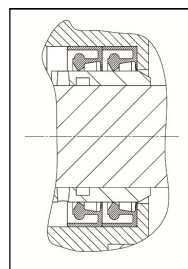
DOUBLE MECHANICAL FLOW SEAL



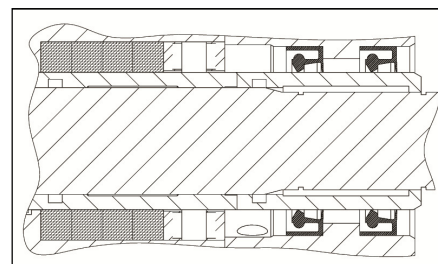
DIN OR API SEALS



PACKING SEAL



RING SEAL



ARRANGEMENT OF PACKING/RING SEALS WITH
FLUSHING

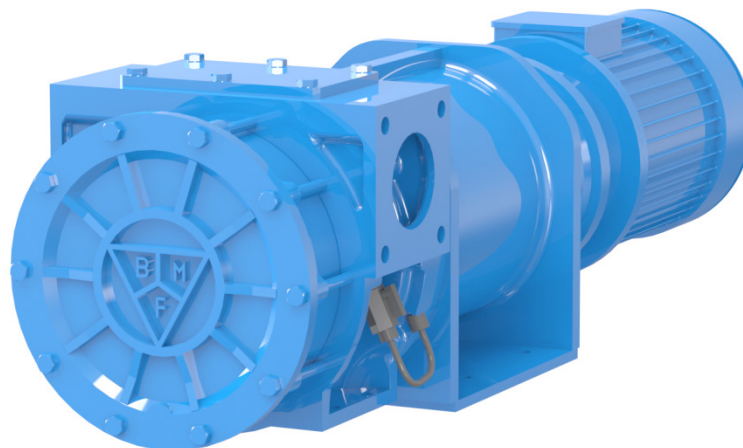
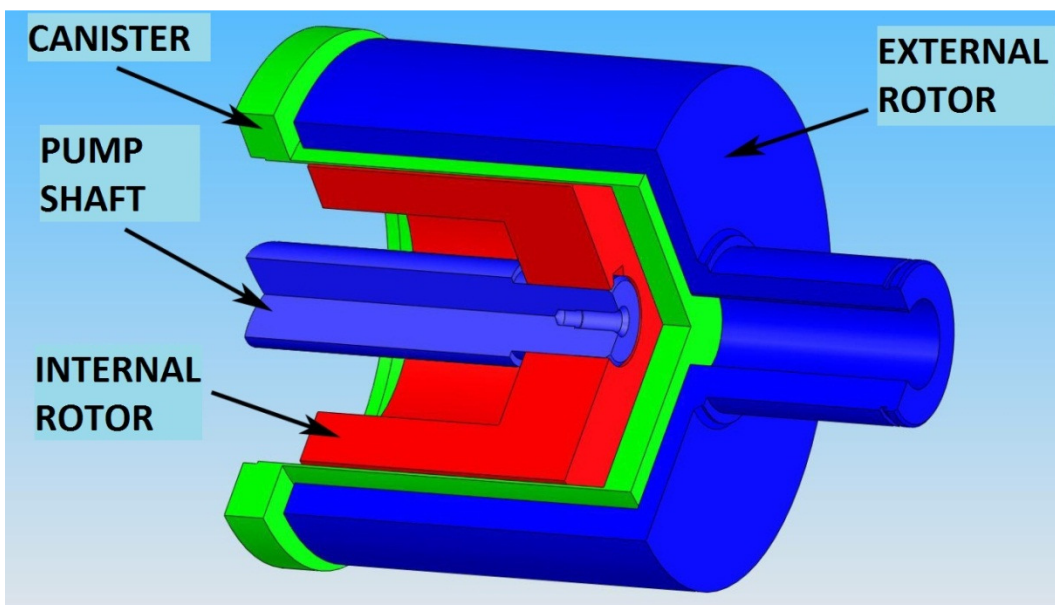
OUR TECHNICAL STAFF DEVELOPES CUSTOM SOLUTIONS FOR ANY TYPE OF APPLICATION ACCORDING TO CUSTOMER'S NEEDS

Custom pumps

Magnetic drive

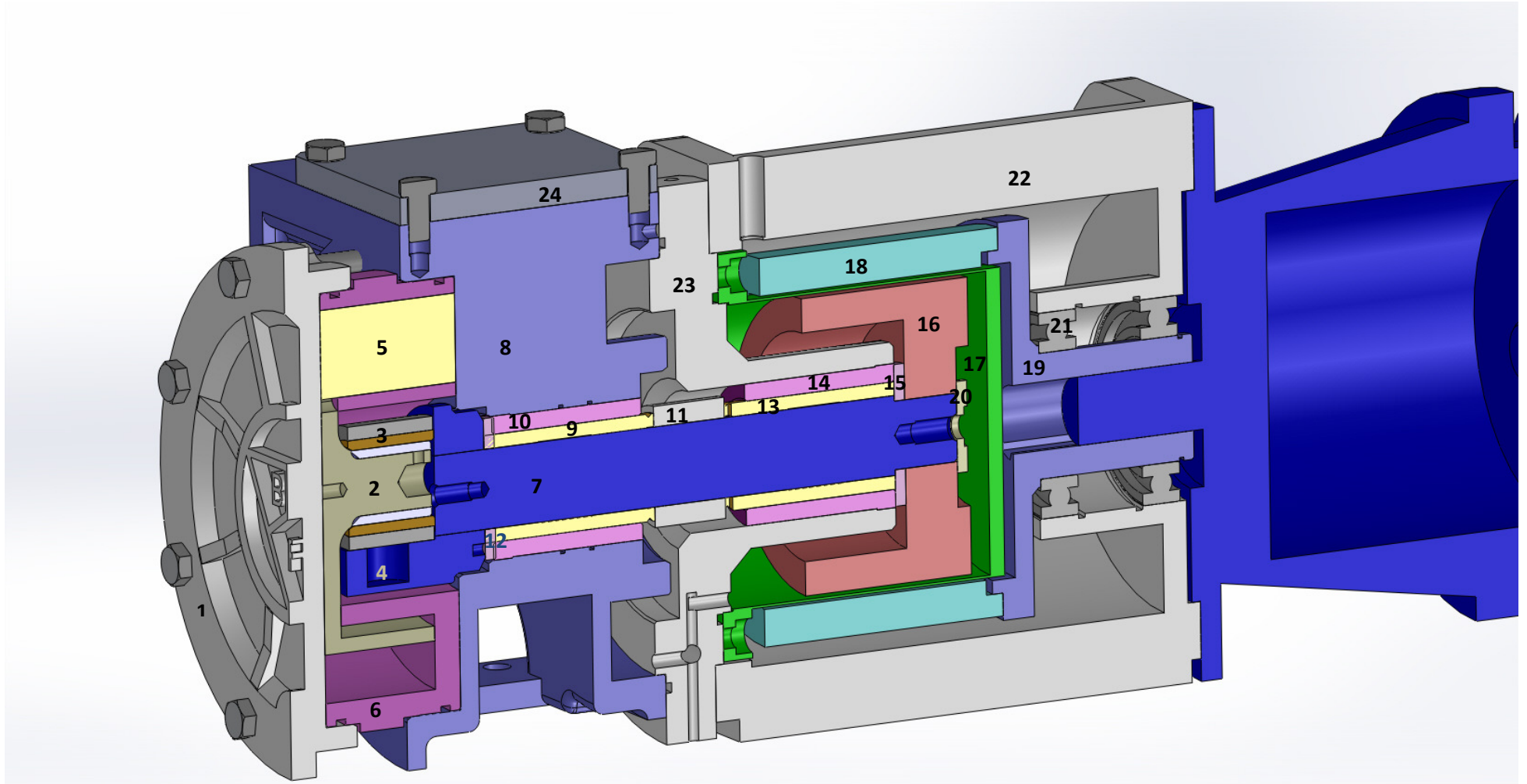
Single body pumps “L” series are also made in the seal-less magnetic drive version. The magnetic drive transmits the motion to the pump shaft through the driving of powerful permanent magnets.

The torque transmission happens without any contact between any mechanical part and the external housing completely encapsulates the pumped fluid without using any type of seal.



The magnetic coupling system it's the final solution for avoiding any possibility of leakage, a perfect solution for hazardous liquids and when normal types of seals are ineffective.

Magnetic drive it's normally employed for acids, toxic substances, resins, isocyanates, paints.



- PUMP MAG SERIES – SPARE PARTS DRAWING

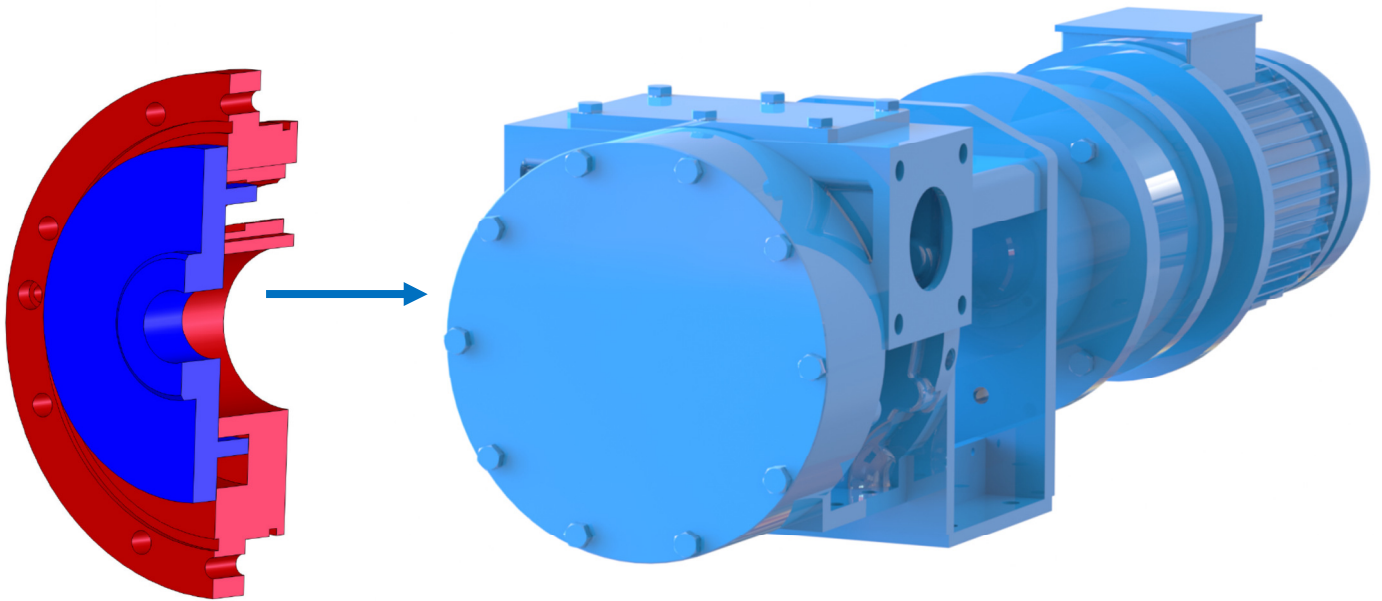
Pos.	Name
1	Cover
2	Impeller
3	Impeller slide bearing
4	Spring
5	Diaphragm
6	Body
7	Shaft
8	Base
9	Front shaft bushing
10	Front shaft slide bearing
11	Spacer
12	Front thrust plate
13	Rear shaft bushing
14	Rear shaft slide bearing
15	Rear thrust plate
16	Internal magnet
17	Can
18	External magnet
19	External magnet support
20	Nut
21	Bearings
22	Rear support
23	Shaft support
24	Closing plate

"AP" process pumps

The "AP" series are the high-tech range of Bedu Pompen B.V.

These pumps are equipped with a special guided impeller system that allows differential pressure till 20bar in continuous duty.

The self priming capabilities of these pumps are impressive: more than 0,9bar of relative vacuum (9 meters of water column)



Bedu Pompen B.V. develops and designs custom pumps for special applications with flow rate till 600000 l/h.

The building of the pump is made with high performances materials i.e. duplex steel, nitronic steel, tungsten carbide coatings, CVD and plasma coatings.

The seal system is designed according to the working specifics for ensuring the best reliability. We can provide pumps equipped with double seals, cartridge seals, fluxed and pressurized seals, API plan seals.

Our pumps can be provided with Atex certification and according to API standards.

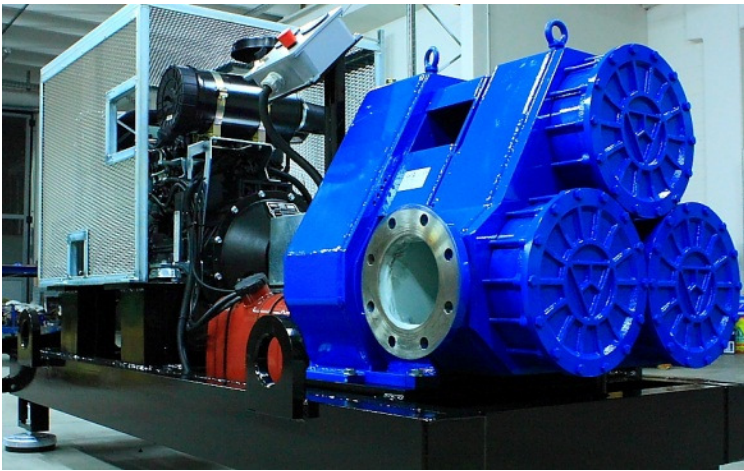
Some examples



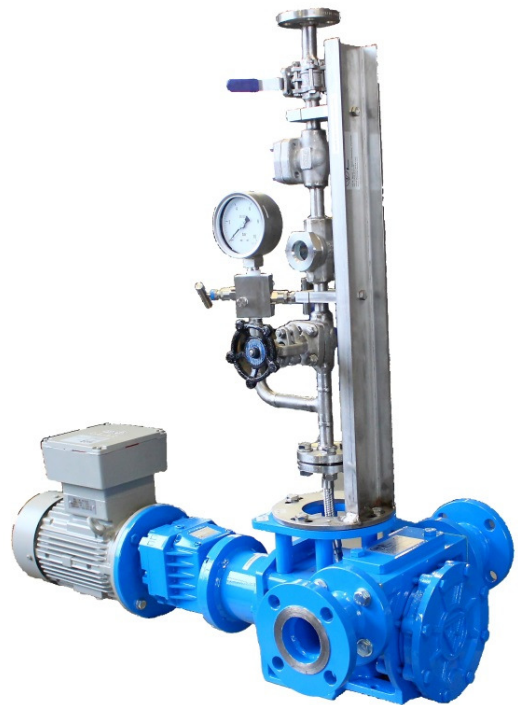
Double seal API pump



Atex Api676 process pump for high pressure (20bar g)



Diesel engine pump for refinery use - crude oil pumping 200m³/h



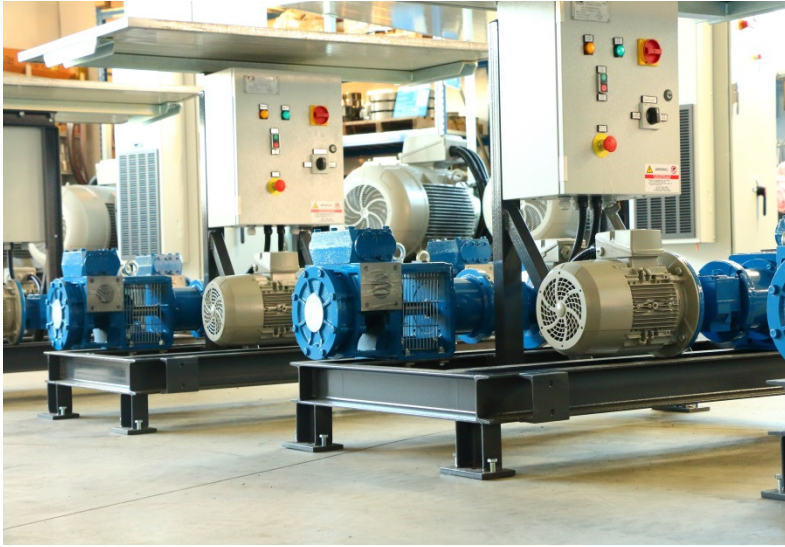
Pump equipped with API plan 32 for offshore application



Pump skid with control panel

Skids design and production

We design and produce custom skids complete with control panel, flowmeter, piping, valves and instrumentation





Material range

TYPE	IMPELLER / SHAFT	COVERING / BODY	BASE	FIELD OF APPLICATION
1	STEEL	CASTIRON	CASTIRON	PETROLEUM PRODUCTS, PAINTS, GLUES, RESINS, FATS, OILS, MOLASSES, SOLVENTS, SOAPS, BITUMEN, MORCHIO
2	INOX 316	BRONZE	CASTIRON	RESINS, ADHESIVES, SOLVENTS, BILGE WATER, SEWAGE, UNLUBRICANT FLUIDS!
3	STAINLESS STEEL	STAINLESS STEEL	ALUMINIUM	ALIMENTARY OILS, CHOCOLATE, GLUCOSE AND ALIMENTARY PRODUCTS
4	STAINLESS STEEL	STAINLESS STEEL	STAINLESS STEEL	ALIMENTARY OILS, CHOCOLATE, GLUCOSE AND ALIMENTARY PRODUCTS, CORROSIVE PRODUCTS, ACIDS

A wide range of materials is available.

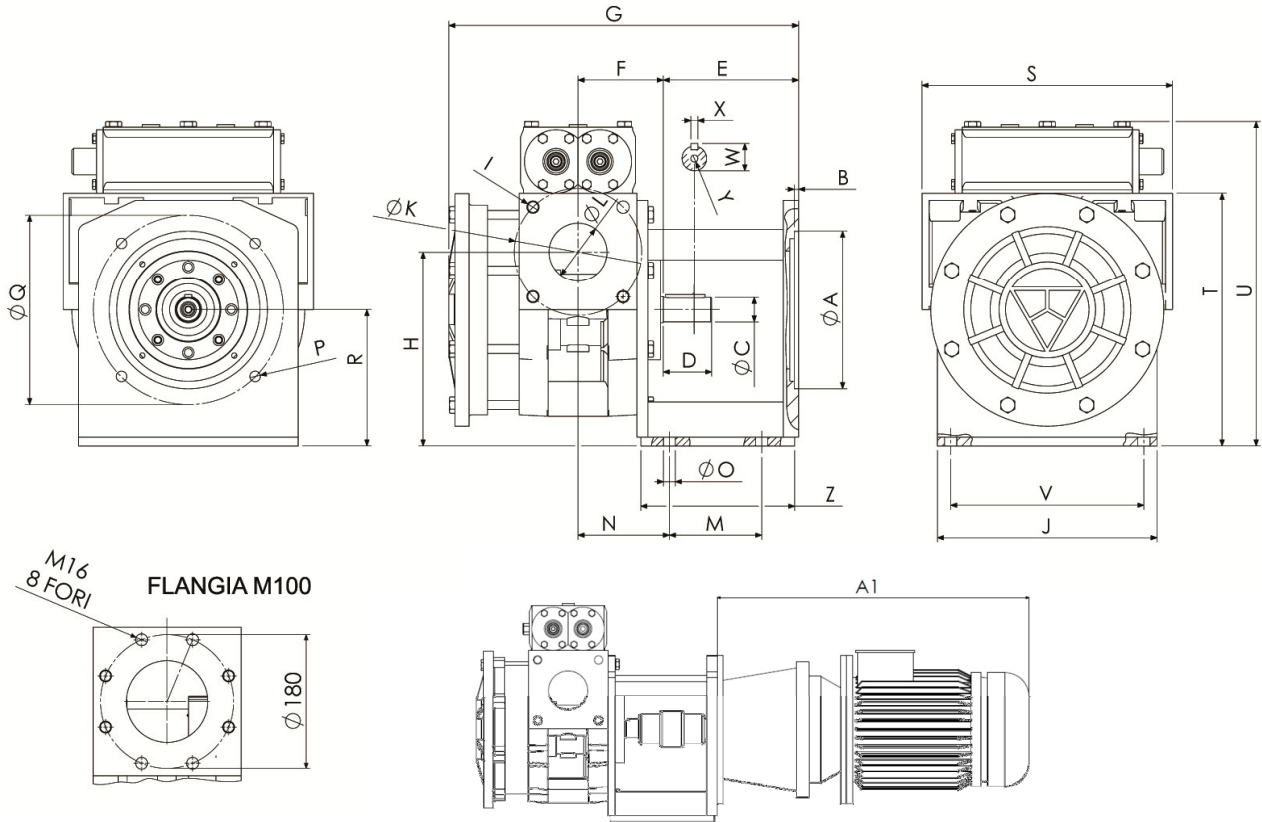
The right choice of materials for every application means reliability.

We can provide special materials for every abrasive and corrosive application.

Overall dimensions

SINGLE BODY PUMPS "C" SERIES

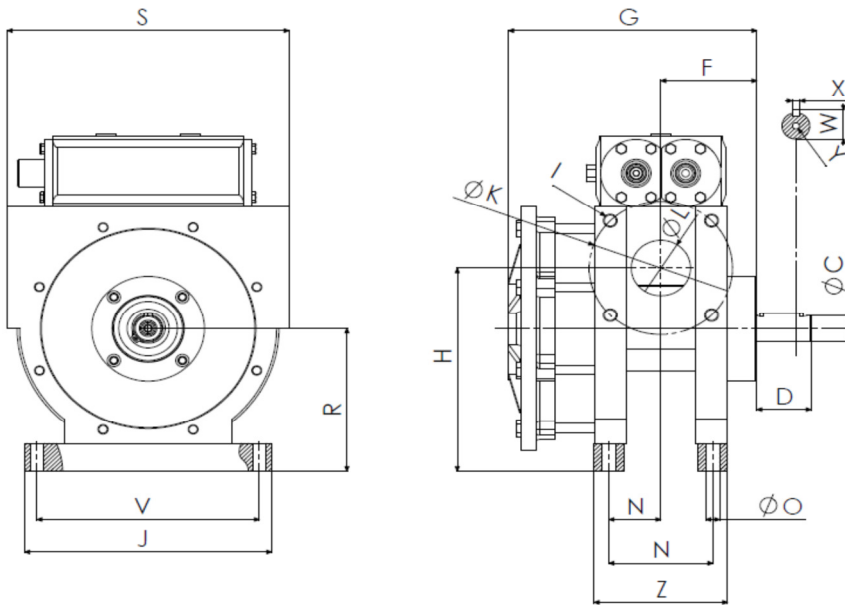
With rear support and motor



MOD.	A*	B	C	D	E	F	G	H	I	J	K	L	M	N	O	P	Q	R	S	T	U	V	W	X	Y	Z
M40	110	P	18	36	112	87.5	306	146	12	180	100	40	70	85	12	M8	130	105	230	196	?	150	20.5	6	M6	138
M60	130	14	28	55	145	103	380	187	14	220	88.4	60	110	100	14	M10	165	125	275	244	325	190	31	8	M8	175
M70	180	5	28	55	154	97	398	221	M14	250	145	70	105	104	14	M12	215	155	285	288	370	220	31	8	M8	175
M85	180	5	36	50	129	130	442	231	M16	250	160	86	105	112	14	M12	215	155	325	306	387	220	39	10	M10	175
M100	18	17	40	70	156	143	526	260	M16	320	180	110	110	142	14	M12	215	185	380	360	441	290	45	12	M10	190

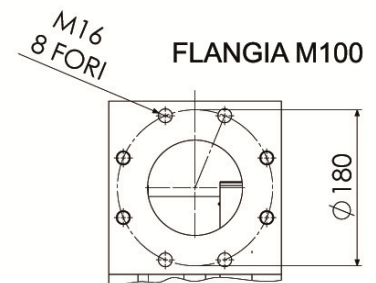
MOTOR GEARBOX MODEL	A1
HP 1 + RIDUTTORE (M35)	388
HP 2 + RIDUTTORE (M60)	408
HP 3 + RIDUTTORE (M70)	470
HP 5,5 + RIDUTTORE (M85)	528
HP 7.5 + RIDUTTORE (M100)	625

Bare shaft versions

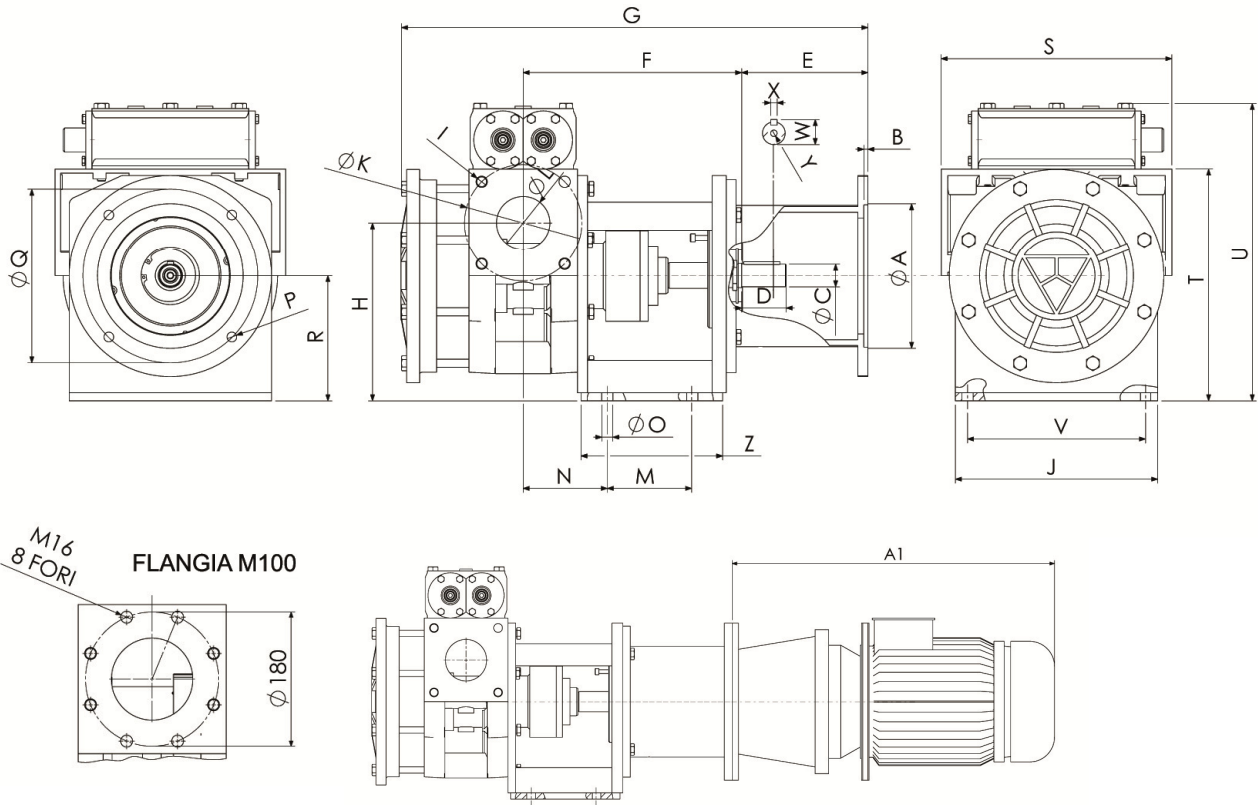


MOD.

	C	D	G	F	G	J	K	L	M	N	O	R	S	T	U	V	W	X	Y	Z
M40	18	36	306	87.5	188	180	100	35	75	37.5	12	105	230	196	220	155	20.5	6	M6	105
M60	28	55	380	103	220	220	88.4	56	95	47.5	14	125	275	244	325	195	31	8	M8	125
M70	28	55	398	97	250	250	145	66	105	52.5	14	155	285	288	370	225	31	8	M8	135
M85	36	50	442	130	270	260	160	86	120	60	14	155	325	306	387	235	39	10	M10	150
M100	40	70	526	143	305	300	180	110	170	85	14	185	380	360	441	275	45	12	M10	200



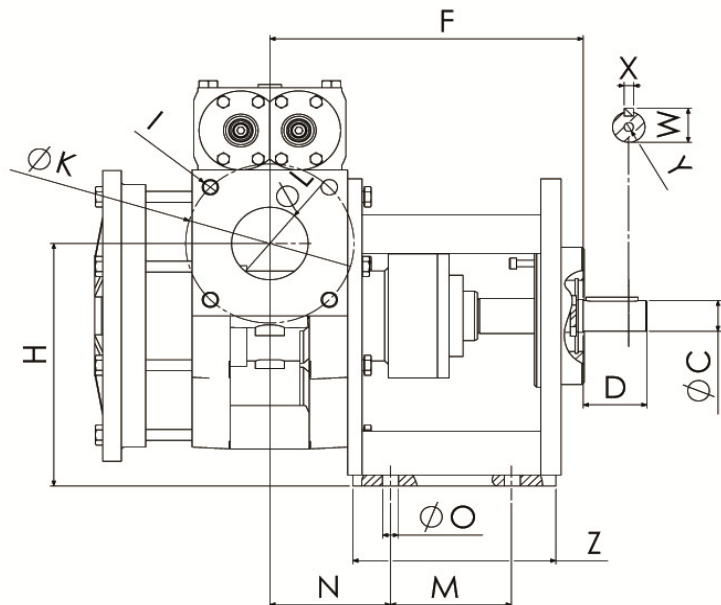
SINGLE BODY PUMPS WITH REAR EXTERNAL SEAL "L" SERIES
 With rear support and motor



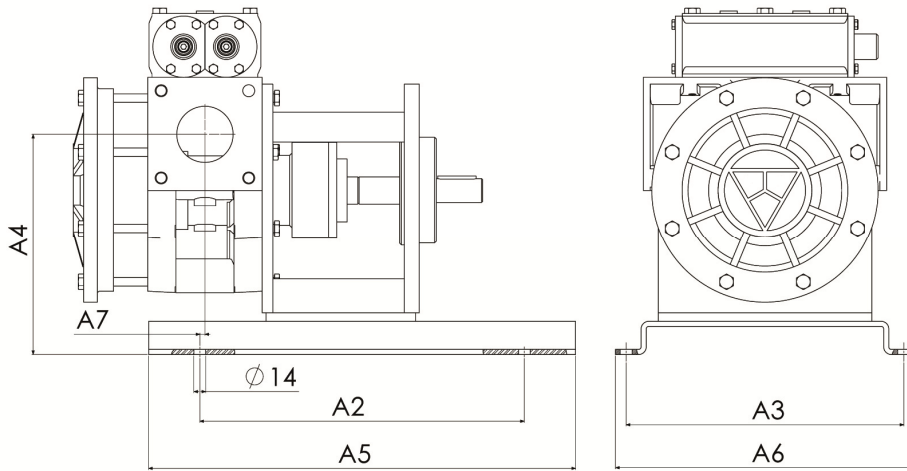
MOD.	A*	B	C	D	E	F	G	H	I	J	K	L	M	N	O	P	Q	R	S	T	U	V	W	X	X	Z
M40	110	18	36	5	230	431	146	12	180	100	35	75	86.5	12	M8	130	105	230	196	220	150	20.5	6	M6	138	
M60	130	28	55	5	277	526	187	14	220	88.4	56	110	98.5	14	M10	165	125	275	244	325	190	31	8	M8	175	
M70	180	28	55	5	270	573	221	M14	250	145	66	105	104	14	M12	215	155	285	288	370	220	31	8	M8	175	
M85	180	36	50	5	281	617	231	M16	250	160	86	105	112	14	M12	215	155	325	306	387	220	39	10	M10	175	
M100	180	40	70	5	317	701	260	M16	320	180	110	110	142	14	M12	215	185	380	360	441	290	45	12	M12	190	

GEARBOX-MOTOR	A1
HP 1 + RIDUTTORE (M40)	388
HP 2 + RIDUTTORE (M60)	408
HP 3 + RIDUTTORE (M70)	470
HP 5.5 + RIDUTTORE (M85)	528
HP 7.5 + RIDUTTORE (M100)	625

BARE SHAFT VERSION

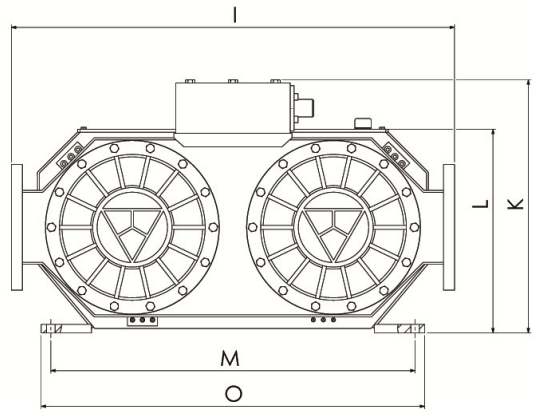
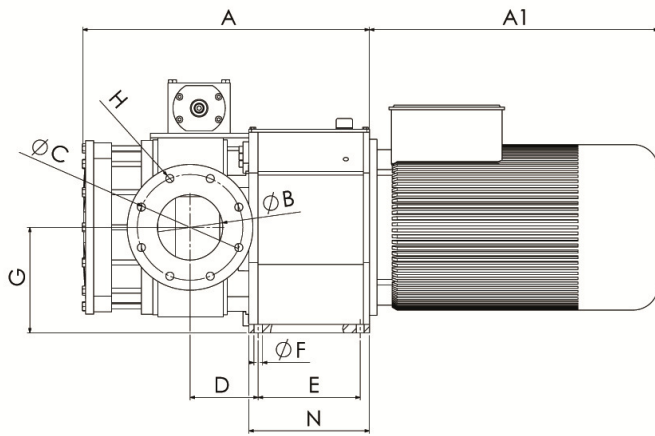


BASEMENT FOR SINGLE BODY PUMPS



MOD.	A2	A3	A4	A5	A6	A7	G	H	I
M40	110	P	18	36	112	87.5	306	146	12
M60	130	14	28	55	145	103	380	187	14
M70	180	5	28	55	154	97	398	221	M14
M85	180	5	36	50	129	130	442	231	M16
M100	18	17	42	70	156	143	526	260	M16

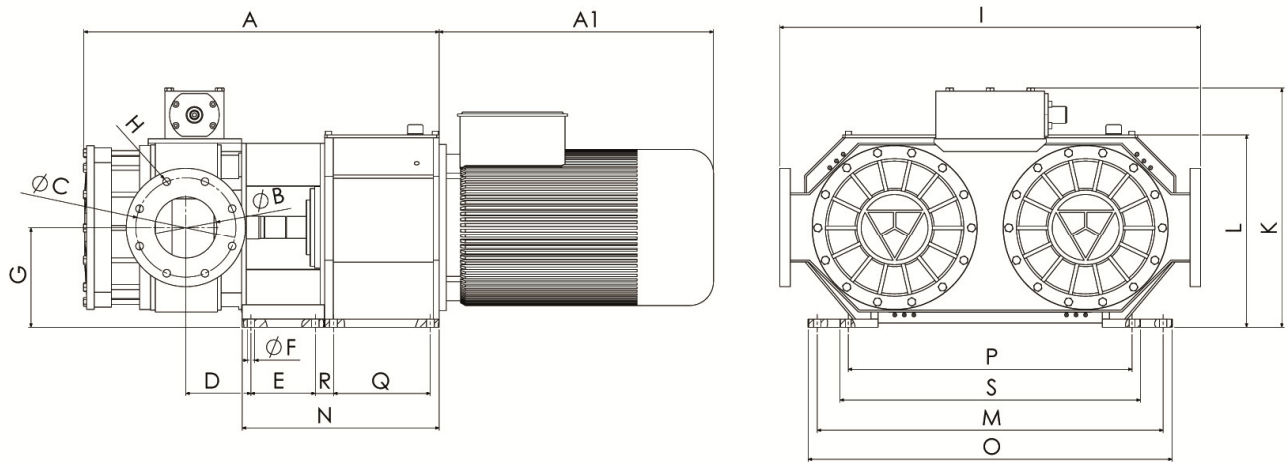
DOUBLE BODY PUMPS "C" SERIES



MOD.	A	B	C	D	E	F	G	H	I	K	L	M	N	O
D90	405	105	180	84	150	17	175	M16	675	414	308	520	185	570
D100	514	105	180	111	190	17	185	M16	775	454	348	605	226	660
D140	570	130	210	135	203	17	210	M16	880	504	398	725	240	764

GEARBOX-MOTOR	A1
HP 7.5 (D90)	363
HP 10 (D90)	363
HP 15 (D100)	474
HP 20 (D100)	474
HP 25 (D140)	534
HP 30 (D140)	534

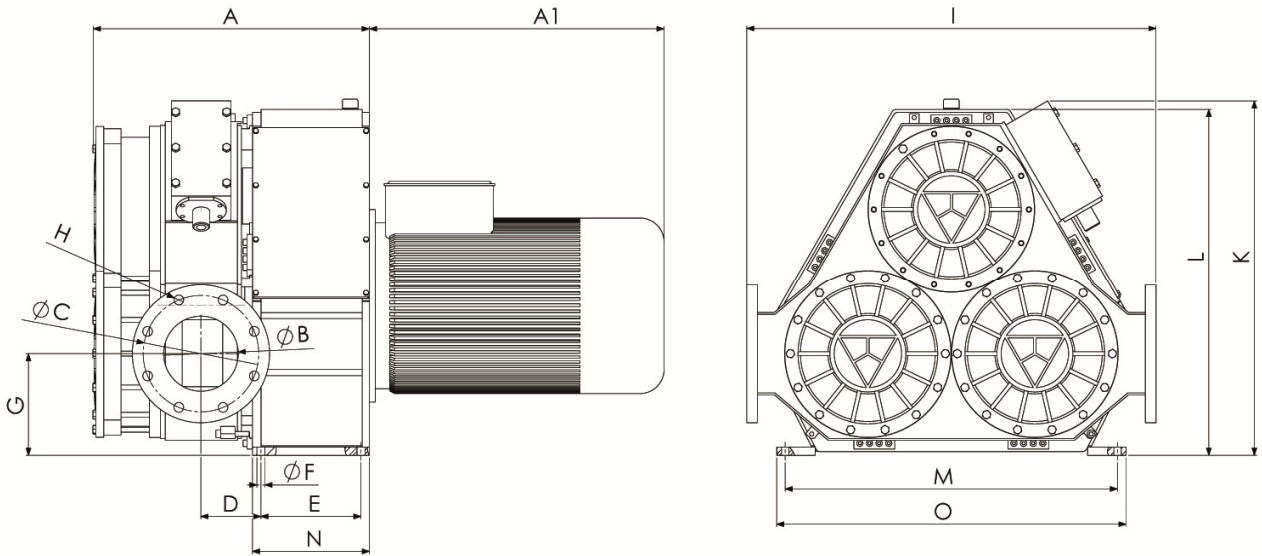
DOUBLE BODY PUMPS WITH REAR EXTERNAL SEAL "L" SERIES



MOD.	A	B	C	D	E	F	G	H	I	K	L	M	N	O	P	Q	R	S
D90	578	105	180	88	130	17	185	M16	675	414	308	515	357	570	450	150	39	515
D100	665	105	180	114	110	17	185	M16	775	454	348	605	376	660	525	190	38.5	560
D140	744	130	210	136	135	17	210	M16	880	504	398	725	413	764	595	203	38	630

MODELLO MOTORE	A1
HP 7.5 (D90)	363
HP 10 (D90)	363
HP 15 (D100)	474
HP 20 (D100)	474
HP 25 (D140)	534
HP 30 (D140)	534

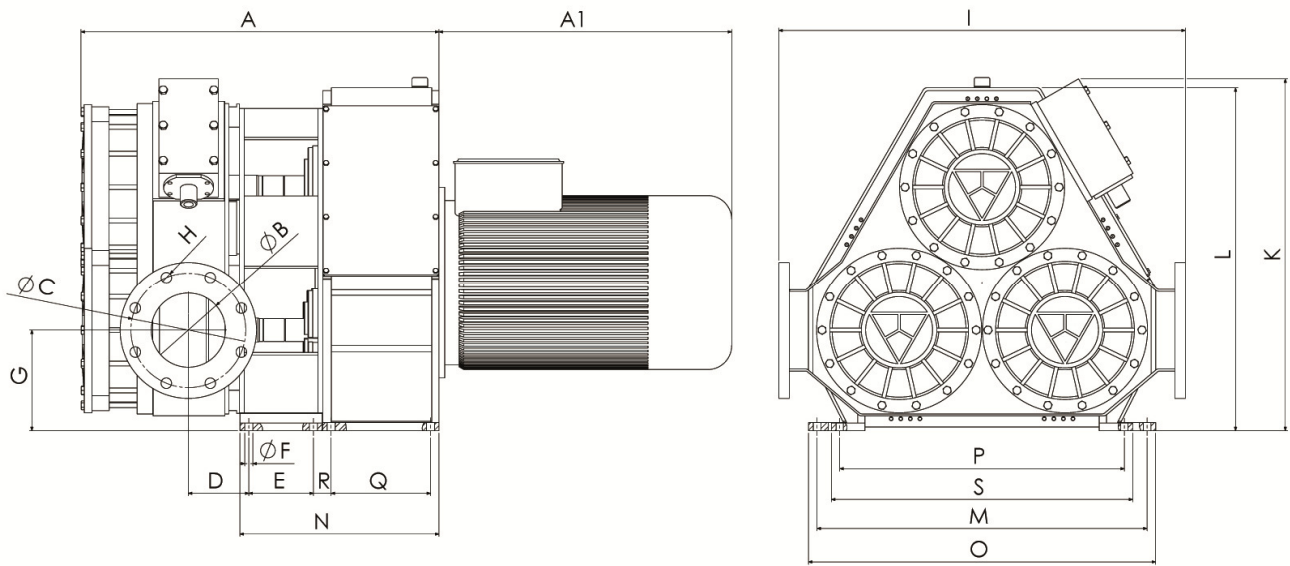
TRIPLE BODY PUMPS "C" SERIES



MOD.	A	B	C	D	E	F	G	H	I	K	L	M	N	O
T130	510	130	210	103	200	17	185	M16	746	643	632	590	232	630
T160	575	160	240	125	208	17	210	M20	850	736	718	690	243	726

MODELLO MOTORE	A1
HP 20 (T130)	474
HP 25 (T130)	534
HP 30 (T130)	534
HP 40 (T160)	617
HP 50 (T160)	660

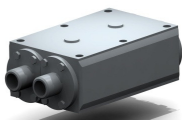
TRIPLE BODY PUMPS WITH REAR EXTERNAL SEAL "L" SERIES



MOD.	A	B	C	D	E	F	G	H	I	K	L	M	N	O	P	Q	R	S
T130	650	130	210	104	115	17	185	M16	746	643	632	590	384	630	525	200	34.5	536
T160	748	160	240	126	135	17	210	M20	850	736	718	675	416	726	595	208	37	630

MODELLO MOTORE	A1
HP 20 (T130)	474
HP 25 (T130)	534
HP 30 (T130)	534
HP 40 (T160)	617
HP 50 (T160)	660

Accessories



ADJUSTABLE BIDIRECTIONAL SAFETY BYPASS VALVE



BASKET FILTERS

The logo consists of the word "BEDU" in a large, bold, white sans-serif font, with "POMPEN" in a smaller, white sans-serif font below it. The text is centered within a dark teal square, which is itself centered within a white square border.

BEDU
POMPEN

made for your process

- Expert advice
- A customer-oriented organization that adapts to the requirements and wishes of your organization
- Innovative and customized solutions
- Breakdownservice, 24 hours a day, 7 days a week
- Technical service with extensive test facilities, working from our own workplace or at your location
- A fast and appropriate solution for all your issues
- Wide range of liquid pumps
- Repair, maintenance and revision

BEDU POMPEN B.V.
Poort van Midden Gelderland Rood 10
6666 LT HETEREN
Nederland
Telefoon +31 (0)88 4802 900
E-mail sales@bedu.eu

WWW.BEDU.NL

BEDU BELGIUM B.V.B.A.
Industriepark-West 75
9100 SINT-NIKLAAS
België
Telefoon +32 (0)3 80 87 980
E-mail sales@bedu.eu

WWW.BEDU.BE

